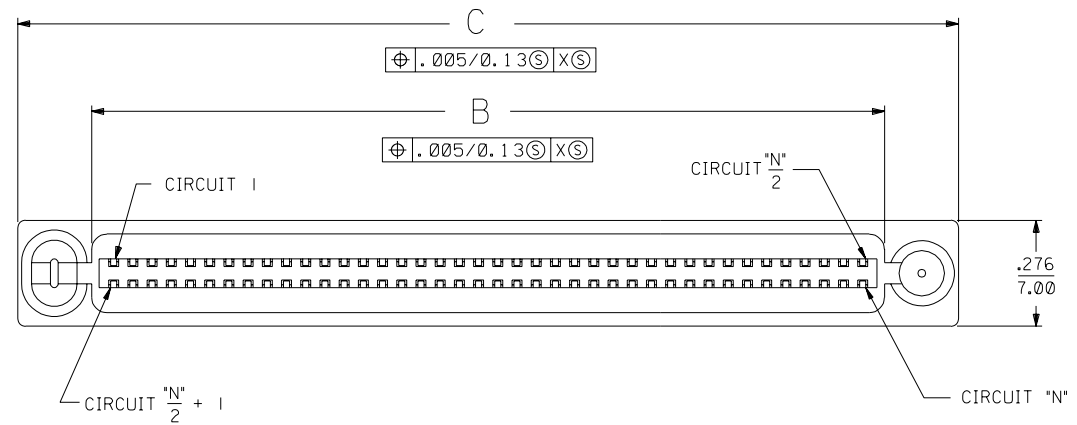


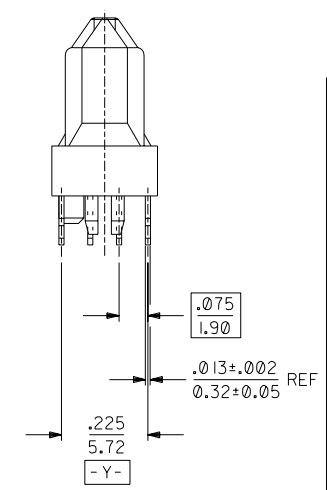
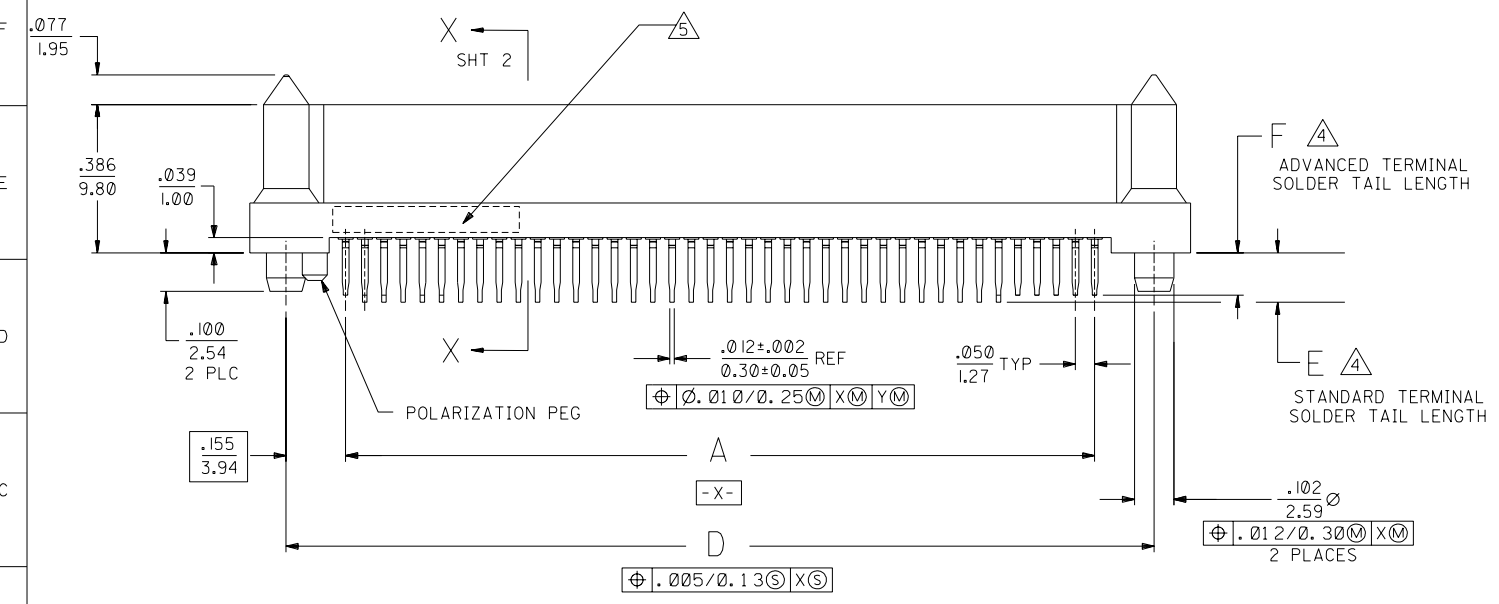
NOTES:

- 1) MATERIALS:  
HOUSING- LCP, GLASS FILLED, UL94V-0, BLACK.  
TERMINALS- COPPER ALLOY
- 2) FINISH:  
TERMINALS:  
.000030/(0.00076) MINIMUM GOLD IN CONTACT AREA AND  
.000050/(0.00127) MINIMUM TIN IN TAIL AREA OVER  
.000075/(0.00191) MINIMUM NICKEL UNDERPLATING OVERALL.
- 3) ASSEMBLY MATES WITH MOLEX P/N SDA-71661-7\*\*\*.  
CONFORMS TO PRODUCT SPECIFICATION PS-71660.
- 4) SEE TABLE ON SHEET 2 FOR ADVANCED TERMINAL LIST
- 5) FOUR DIGIT DATE CODE (WK YR), EXAMPLE => 26 96  
LOCATED IN AREA INDICATED.



NOTE FOR LEAD FREE CONVERSION:

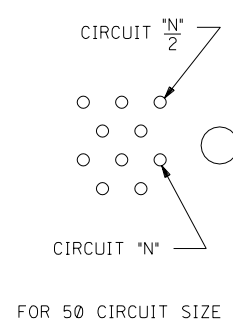
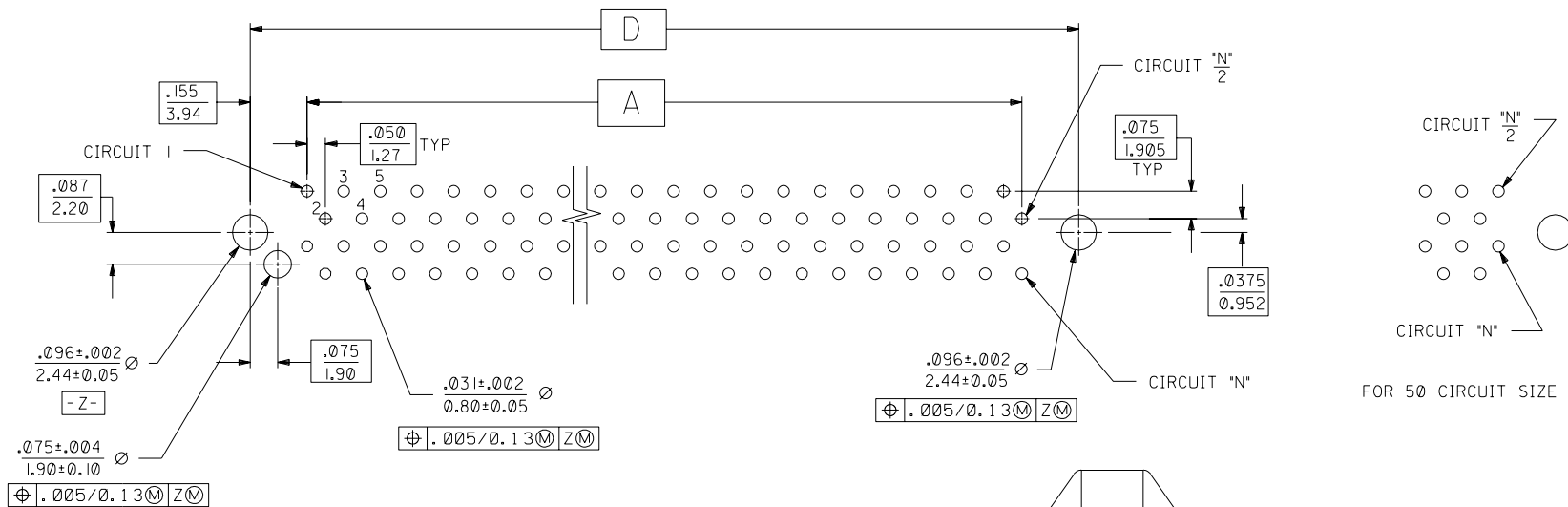
THE PRIMARY SHIPPING CARTON WILL BE LABELED "COMPLIANT TO ROHS DIRECTIVE 2002/95/EC AND ELV ANNEX II OF DIRECTIVE 2000/53/EC". CARTONS WITHOUT THIS LABEL MAY CONTAIN PRODUCT WITH LEAD.



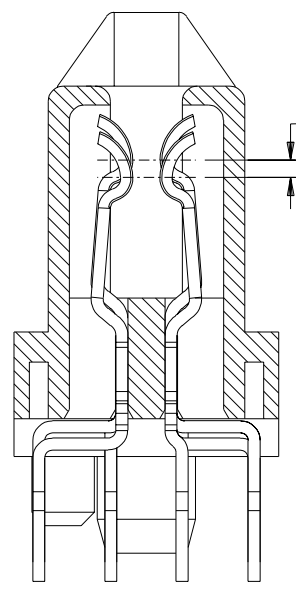
2	A	A	INITIAL RELEASE
1	A	A	ECR UCP2005-0071
			RKADAMS 04/7/11

DIMENSIONS SHOWN (METRIC) INCH		UNLESS OTHERWISE SPECIFIED TOLERANCES: ANGULAR $\pm 1/2^\circ$		REVISIONS	
3 PLACE $\pm .005$		INCH METRIC		REVISE ONLY ON CAD SYSTEM	
2 PLACE $\pm$ --- $\pm 0.13$		---		TITLE	
1 PLACE --- $\pm$ ---		---		SALES ASSY, EBBI 50D, VERTICAL, BLIND MATE RCPT W/ ADVANCED TERMINALS	
DRAFT WHERE APPLICABLE MUST REMAIN WITHIN DIMENSIONS		MOLEX INCORPORATED		SHEET NO. DATE	
		LITSE,ILL. 60532		U.S.A. 1 OF 2 04/07/11	
DRWG. RKA		CHK'D. BB		PART NO. DRWG. NO.	
BY SM		SCALE 4:1		SEE TABLE SD-71660-005	
APP'D. BY		FILE NAME		THIS DRAWING CONTAINS INFORMATION THAT IS PROPRIETARY TO MOLEX INC. AND SHOULD NOT BE USED WITHOUT WRITTEN PERMISSION	
		SD7166075X1		DIV. SIZE	
		CON		C C	

13	12	11	10	9	8	7	6	71660	4	3	2	1
ITEM NUMBER	CIRCUIT SIZE ("N")	A	B	C	D	E ±.010 (±0.25)	F ±.010 (±0.25)	ADVANCED CIRCUITS				
	68	1.650 (41.91)	1.765 (44.83)	2.149 (54.58)	1.960 (49.78)	.134 (3.40)	.116 (2.95)	5, 6, 39, 64, 66, 68				
	40	.950 (24.13)	1.065 (27.05)	1.449 (36.80)	1.260 (32.00)	.128 (3.25)	.110 (2.79)	1, 2, 3, 18, 19, 20				
	50	1.200 (30.48)	1.315 (33.40)	1.699 (43.15)	1.510 (38.35)	.128 (3.25)	.110 (2.79)	1, 2, 3, 23, 24, 25				
71660-7580	80	1.950 (49.53)	2.065 (52.45)	2.449 (62.20)	2.260 (57.40)	.128 (3.25)	.110 (2.79)	1, 36-43, 45, 46, 75-80				



RECOMMENDED PC BOARD LAYOUT  
COMPONENT SIDE  
FOR 40, 68 AND 80 CIRCUIT SIZES



SECTION X-X  
SCALE - 10:1  
HOUSING WALLS BETWEEN TERMINALS  
NOT SHOWN FOR CLARITY

.015 MINIMUM OFFSET BETWEEN  
STANDARD AND ADVANCED TERMINALS

DIMENSIONS SHOWN (METRIC) INCH		▽ = 0		▼ = 0		REVISE ONLY ON CAD SYSTEM	
UNLESS OTHERWISE SPECIFIED TOLERANCES: ANGULAR ± 1/2°							
3 PLACE	± .010	---	---				
2 PLACE	± ---	± 0.25	---				
1 PLACE	---	± ---	---				
DRAFT WHERE APPLICABLE MUST REMAIN WITHIN DIMENSIONS							
DRWG. BY: RKA	CHK'D. BY: BB	FILE NAME: SD71660SX2	DRWG. NO.: SD-71660-005				
APP'D. BY: SM	SCALE: 4:1	DATE: 04/07/11	SHEET NO.: 2				
THIS DRAWING CONTAINS INFORMATION THAT IS PROPRIETARY TO MOLEX INC. AND SHOULD NOT BE USED WITHOUT WRITTEN PERMISSION.							

A	SEE SHEET 1
---	-------------

MFG.	SH.	REV.	LTR.	REVISIONS
------	-----	------	------	-----------

71660

## X-ON Electronics

Largest Supplier of Electrical and Electronic Components

*Click to view similar products for [Board to Board & Mezzanine Connectors](#) category:*

*Click to view products by [MOLEX](#) manufacturer:*

Other Similar products are found below :

[10135583-642402LF](#) [89885-310LF](#) [589158040000018](#) [6-1393048-0](#) [68683-613](#) [MDF7-12DP-2.54DSA](#) [MDF7-18P-2.54DSA\(01\)](#) [MDF7-20DP-2.54DSA](#) [MDF7-26D-2.54DSA\(55\)](#) [MDF7-3P-2.54DSA\(01\)](#) [MDF7B-3P-2.54DSA\(55\)](#) [MDF7C-11P-2.54DSA\(55\)](#) [MDF7C-18P-2.54DSA\(55\)](#) [MDF7C-5P-2.54DSA\(01\)](#) [MDF7P-5P-2.54DSA\(55\)](#) [75234-0516](#) [FCN-230C068-11](#) [FCN-268F012-G/BD](#) [FCN-268F036-G/BD](#) [FCN-268M012-G/0D](#) [FCN-268M024-G/1D](#) [FCN-360C008-C](#) [FCN-360C040-C](#) [FCN-723J004/1](#) [MIS-048-01-F-D-DP-K](#) [832-10-034-10-001000](#) [93696-325LF](#) [11828-1FA](#) [AXK630345P](#) [18097-0013](#) [ICA-328STT](#) [2007042-2](#) [304400-2](#) [FCN-214Q030-G/0](#) [FCN-215Q040-G/0](#) [FCN-230C068-ESA](#) [FCN-234P048-G/0](#) [FCN-235D050-G/C](#) [FCN-360A3](#) [FCN-360C040-B](#) [210-93-314-41-105000](#) [2-22603-0](#) [379-064-521-202](#) [MDF7-12P-2.54DSA\(01\)](#) [MDF7-16P-2.54DS\(56\)](#) [MDF7-40DP-2.54DSA\(55\)](#) [MDF7-8P-2.54DSA\(55\)](#) [MDF7B-16P-2.54DSA\(55\)](#) [AXG720047](#) [5031084030](#)