

PLEASE CHECK WWW.MOLEX.COM FOR LATEST PART INFORMATION

Part Number: [0716910003](#)
Status: **Active**
Overview: LFH™ Interconnect System
Description: 1.27mm Pitch LFH™ Matrix 50 Receptacle Cable Kit, 60 Circuits

Documents:

[3D Model](#) [Application Specification AS-71624-001 \(PDF\)](#)
[Drawing \(PDF\)](#) [RoHS Certificate of Compliance \(PDF\)](#)
[Application Specification AS-70929-001 \(PDF\)](#)

Agency Certification

CSA LR19980

General

Product Family I/O Connectors
Series [71691](#)
Application Wire-to-Board
Comments Stick Loading Tool 62200-1600 may be used for Inserting Sticks into Subassembly
Component Type Receptacle
Overview [LFH™ Interconnect System](#)
Product Name LFH™
Type N/A
UPC 800754352857

Physical

Circuits (Loaded) 60
Circuits (maximum) 60
Color - Resin Black
Flammability 94V-0
Lock to Mating Part None
Material - Metal Aluminum
Material - Plating Mating Gold
Material - Plating Termination Tin-Lead
Material - Resin High Temperature Thermoplastic
Net Weight 5.217/g
Orientation Vertical
PCB Retention N/A
Packaging Type Tray
Panel Mount No
Pitch - Mating Interface 1.27mm
Plating min - Mating 0.762µm
Plating min - Termination 2.540µm
Polarized to Mating Part Yes
Surface Mount Compatible (SMC) N/A
Temperature Range - Operating -20°C to +80°C
Termination Interface: Style N/A
Wire Size AWG 28, 30, 32, 34, 36

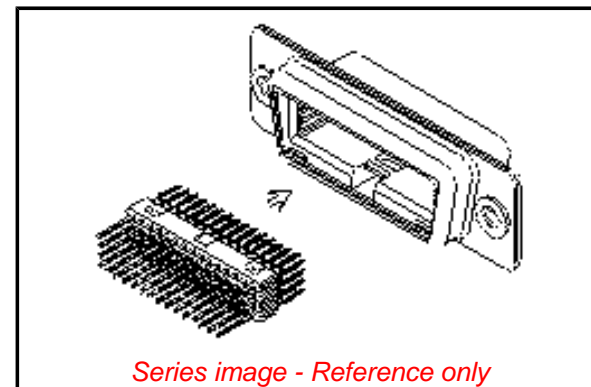
Electrical

Current - Maximum per Contact 1.0A
Shielded Yes
Voltage - Maximum 40V

Material Info

Reference - Drawing Numbers

Application Specification AS-70929-001, AS-71624-001



Series image - Reference only

EU ELV

Not Relevant

EU RoHS

Compliant

REACH SVHC

Not Contained Per -
ED/108/2014 (17 Dec
2014)

Halogen-Free

Status

Low-Halogen

Need more information on product environmental compliance?

Email productcompliance@molex.com
Please visit the [Contact Us](#) section for any non-product compliance questions.

China ROHS

ELV

Green Image

Not Relevant

Search Parts in this Series

[71691](#) Series

Mates With

[70929](#)

Application Tooling | FAQ

Tooling specifications and manuals are found by selecting the products below. Crimp Height Specifications are then contained in the Application Tooling Specification document.

Global

Description

Product #

Terminal Stick	0622001600
Insertion Tool For LFH™ Series 71691 and 70985	

This document was generated on 09/30/2016

PLEASE CHECK WWW.MOLEX.COM FOR LATEST PART INFORMATION

X-ON Electronics

Largest Supplier of Electrical and Electronic Components

Click to view similar products for [I/O Connectors](#) category:

Click to view products by [Molex](#) manufacturer:

Other Similar products are found below :

[571763P](#) [58098-0628](#) [72.250.1628.2](#) [72.250.2428.2](#) [74720-0505](#) [76.350.0729.0](#) [76871-1403](#) [FCN-244F080-G/1](#) [FCN-260A9920](#) [PCR-E36PM](#) [PCS-XE26MA+](#) [G38A71314B](#) [1571250010](#) [157-22500-3](#) [MS3471L14-19P L/C](#) [192991-0703](#) [172501-4002](#) [172501-6002](#) [FCN-260C008-A/L0](#) [FCN-260C024-AL0](#) [FCN-261Z008](#) [2000314-1](#) [200331-1](#) [PCR-E36FC+](#) [PCS-E28FS+](#) [PCS-XE26SLFD+](#) [PCS-XE26SLFDT+](#) [G730VID08BDC24](#) [UE86K842720321](#) [38113800006](#) [DP3AR020WQ1R200](#) [Z4.102.0680.0](#) [500-1040](#) [500-1052](#) [500-1054](#) [ZP-4008-66L](#) [0709821002](#) [DX40-20P\(55\)](#) [5554841-1](#) [MS3474W18-8P-LC*](#) [U90B3054061110](#) [U65-E04-4020](#) [ZPF000000000097891](#) [747360449](#) [10099439-003C-TRLF](#) [10137239-0021LF](#) [E9320-001-01](#) [10137239-0011LF](#) [70289-001LF](#) [70.060.1028.0](#)