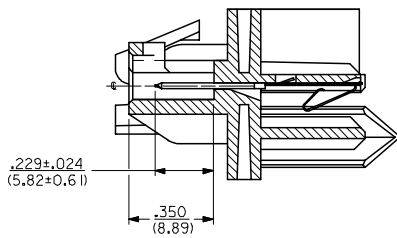
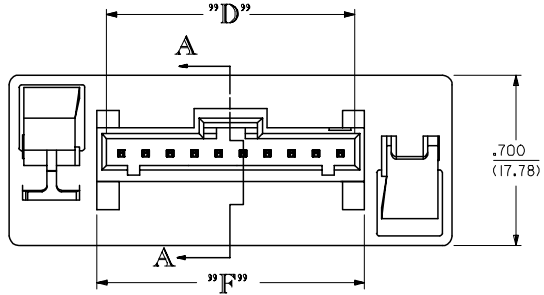
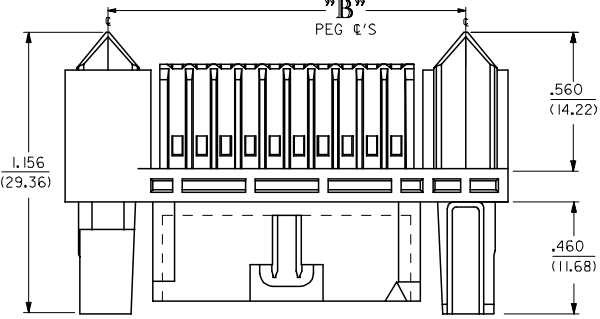
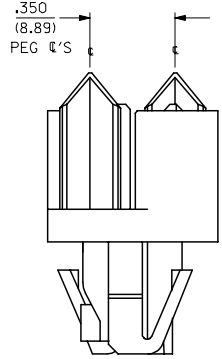
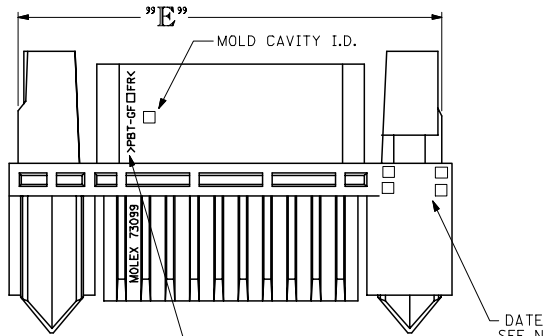


STANDARD SL  
OPTION (TYPE "A")  
73099-02XX  
OR  
73099-92XX

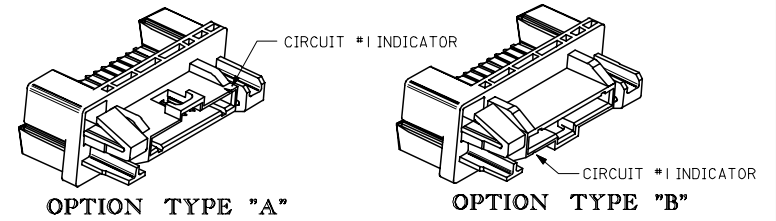


SECTION A-A



SEE NOTE 6.

DATE CODE  
SEE NOTE 5

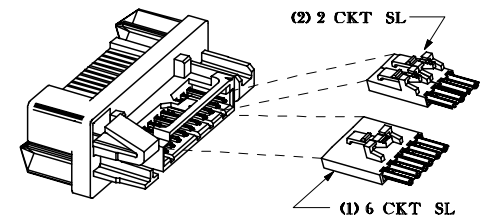


OPTION TYPE "A"

OPTION TYPE "B"

OPTION "A" VS OPTION "B"

OPTION "A" MATED TO OPTION "A": CKT. 1 MATCHES WITH CKT. 1  
OPTION "A" MATED TO OPTION "B": CKT. 1 MATCHES WITH CKT. 10  
(BOTH OPTIONS "A" AND "B" PICTURED ABOVE ARE OF  
STANDARD DRAWER VARIATION - SEE NOTE 9.)



STANDARD VS CUSTOM

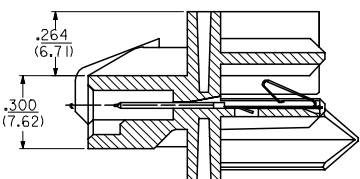
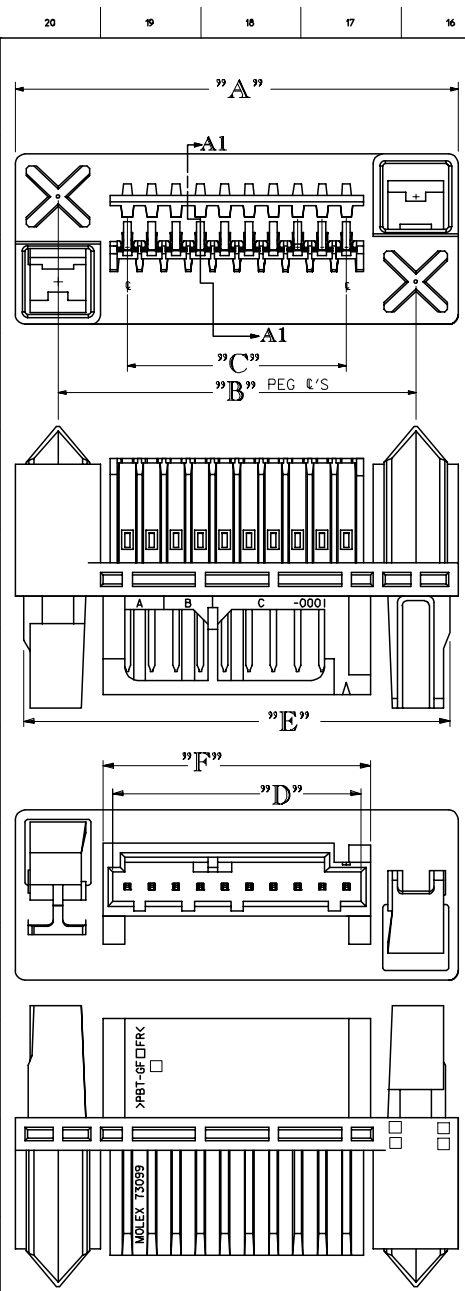
SEE NOTE 8. AND 9. (CUSTOM 10 CKT. PICTURED)

NOTES:

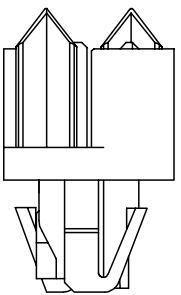
- MATERIAL:  
HOUSING: GOLD FILLED POLYESTER UL 94V-0, COLOR BLACK.  
TERMINAL: BERYLLIUM COPPER
- PLATING:  
.000050 U' (.27 MICRON) MIN. GOLD PLATE ON CANTILEVER AREA, .000015 MIN. GOLD PLATE ON SELECT SL TAIL AREA, NICKEL PLATE OVER-ALL.
- SEE SHEET 4 FOR PART NUMBERS AND TABULATED DIMENSIONS.
- PRODUCT CONFORMS TO PS-73099-\*\*\*\*\*.
- HOT STAMP DATE CODE IS WEEK, YEAR.
- RECYCLING LOGO TO APPEAR WHERE ROOM IS AVAILABLE.
- SEE SHEET 3 FOR PANEL MOUNTING AND MATING DETAILS.
- 73099-\*\*\*\*\* CONNECTOR ALSO MATES WITH "SL" SERIES 70066, 70400, AND 70430.
- PRODUCT DESCRIBED AS 'STANDARD' MATES ONLY WITH EQUIVALENT CKT. SIZE CONNECTOR (10 CKT. DRAWER CONNECTOR TO 10 CKT. SL). PRODUCT DESCRIBED AS 'CUSTOM' ALLOWS A PREDETERMINED COMBINATION OF SL CONNECTORS WITH VARYING CIRCUIT SIZES TO BE USED WHEN THE COMBINATION'S TOTAL CIRCUITS ADD UP TO THE DRAWER CONNECTOR'S CIRCUIT SIZE (10 CKT. DRAWER CONNECTOR TO TWO 2 CKT. & ONE 6 CKT. SL).

4	A
3	A
2	A
1	A
SHT REV	

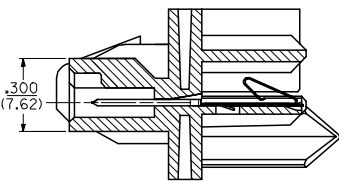
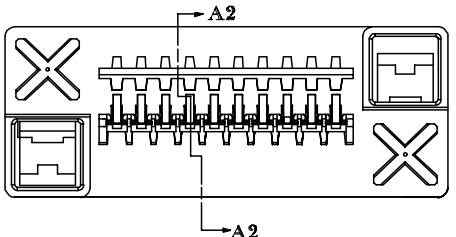
INITIAL RELEASE EC NO. UCP2006-0364 2005/12/12 DRWNSWART CHKD:BBARKER 2005/12/19 APPR:SMILLER 2005/12/19	QUALITY SYMBOLS ▽=0 ▽=0	GENERAL TOLERANCES (UNLESS SPECIFIED)		DIMENSION STYLE IN/MM		SCALE 4:1	DESIGN UNITS INCH	THIRD ANGLE PROJECTION	
		4 PLACES ± --- ± --- 3 PLACES ± --- ± .010 2 PLACES ± 0.25 ± .014 1 PLACE ± 0.36 ± --- ANGULAR ±1/2°	mm INCH	DRAWN BY MIBARRA 2005/11/23	DATE 2005/11/23	TITLE HERMAPHRODITIC SL DRAWER CONNECTOR SALES ASSEMBLY			
		DRAFT WHERE APPLICABLE MUST REMAIN WITHIN DIMENSIONS	SEE TABLE	CHECKED BY BBARKER 2005/11/23	DATE 2005/11/23	MOLEX INCORPORATED			
		MATERIAL NO. SD-73099-001	DOCUMENT NO. SD-73099-001	THIS DRAWING CONTAINS INFORMATION THAT IS PROPRIETARY TO MOLEX INCORPORATED AND SHOULD NOT BE USED WITHOUT WRITTEN PERMISSION		SHEET NO. 1 OF 4			



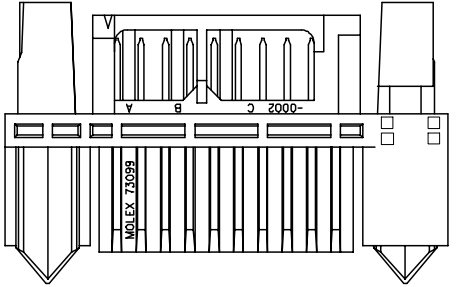
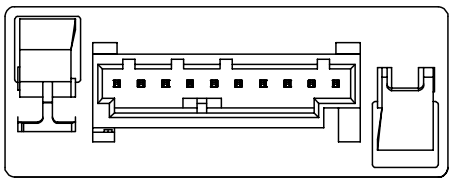
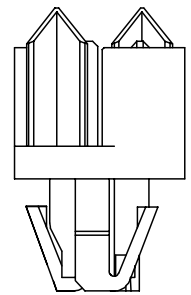
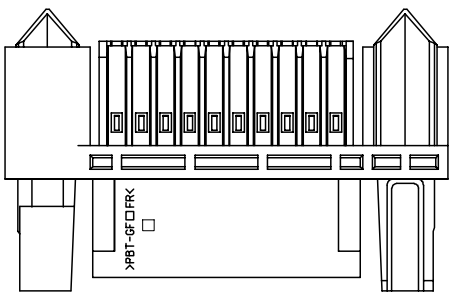
SECTION A1-A1



73099-9001  
OPTION TYPE "A"



SECTION A2-A2



73099-9002  
OPTION TYPE "B"

**CUSTOM 10 CKT (OPTION "A" AND "B")**

- CUSTOM 10 MATES WITH THE FOLLOWING "SL" CIRCUIT SIZE COMBINATIONS:
- 1) 2 CKT., 2CKT., AND 6 CKT.
  - 2) 4 CKT. AND 6 CKT.
  - 3) 2 CKT. AND 8 CKT.
  - 4) 10 CKT.

INITIAL RELEASE EC NO: UCP2006-0364 DRWNSMART 2005/12/12 CHKDBARKER 2005/12/19 APPR: SMILLER 2005/12/19 REV DESCRIPTION	QUALITY SYMBOLS	GENERAL TOLERANCES (UNLESS SPECIFIED)	DIMENSION STYLE	SCALE	DESIGN UNITS	THIRD ANGLE PROJECTION
	$\nabla=0$ $\nabla=0$	4 PLACES ± --- ± --- 3 PLACES ± --- ± .010 2 PLACES ± 0.25 ± .014 1 PLACE ± 0.36 ± --- ANGULAR ±1/2°	IN/MM INCH	IN/MM INCH	4:1	INCH
DRAWN BY MIBARRA 2005/11/23 CHECKED BY BBARKER 2005/11/23 APPROVED BY SMILLER 2005/11/23	DATE	DATE	DATE	DATE	DATE	DATE
DRAFT WHERE APPLICABLE MUST REMAIN WITHIN DIMENSIONS		SEE TABLE	SD-73099-001	TITLE HERMAPHRODITIC SL DRAWER CONNECTOR SALES ASSEMBLY MOLEX INCORPORATED		
MATERIAL NO.		DOCUMENT NO.		SHEET NO.		
SIZE D		SD-73099-001		2 OF 4		
THIS DRAWING CONTAINS INFORMATION THAT IS PROPRIETARY TO MOLEX INCORPORATED AND SHOULD NOT BE USED WITHOUT WRITTEN PERMISSION						

### PANEL DIMENSIONS

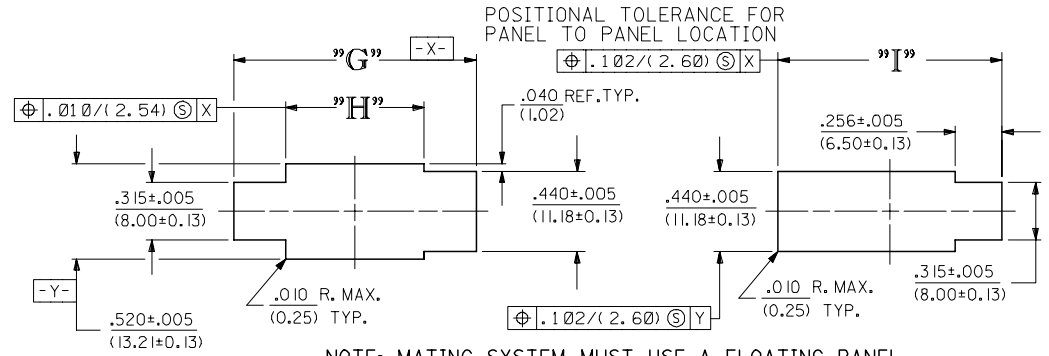
CKT. SIZE	DIM. "G" $\pm 0.010$ ( $\pm 0.25$ )		DIM. "H" $\pm 0.010$ ( $\pm 0.25$ )		DIM. "I" $\pm 0.010$ ( $\pm 0.25$ )	
	INCH	(MM)	INCH	(MM)	INCH	(MM)
04	1.230	(31.24)	.660	(16.76)	1.128	(28.65)
06	1.430	(36.32)	.860	(21.84)	1.328	(33.73)
08	1.630	(41.40)	1.060	(26.92)	1.528	(38.81)
10	1.830	(46.48)	1.260	(32.00)	1.728	(43.89)
12	2.030	(51.56)	1.460	(37.08)	1.928	(48.97)

### FLOATING PANEL VIEW

VIEW FROM PUNCH SIDE  
(SCALE 3:1)

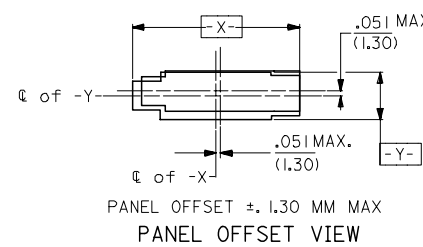
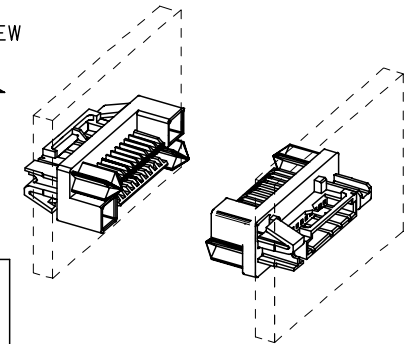
### NON-FLOATING PANEL VIEW

VIEW FROM PUNCH SIDE  
(SCALE 3:1)

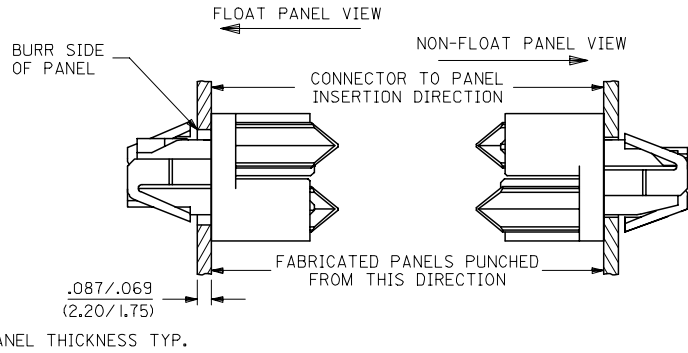


NOTE: MATING SYSTEM MUST USE A FLOATING PANEL IN CONJUNCTION WITH A NON-FLOATING PANEL.

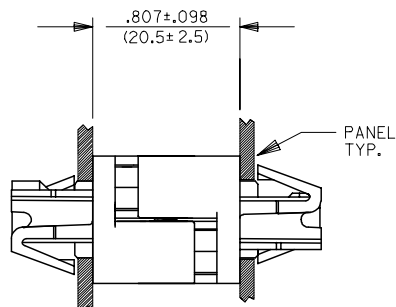
### PANEL OFFSET VIEW



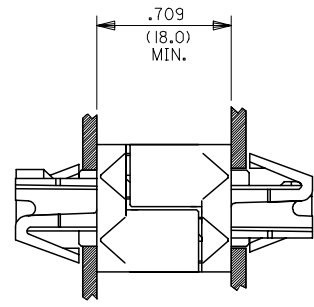
PANEL OFFSET  $\pm 1.30$  MM MAX  
PANEL OFFSET VIEW



### OPERATING PANEL CLOSURE DIMENSIONS



### FULLY CLOSED CONNECTOR



INITIAL RELEASE EC NO. UCP2006-0364 DRAWNSWART 2005/11/12 CHKD:BBARKER 2005/12/19 APPR:SMILLER 2005/12/19	QUALITY SYMBOLS ▽=0 ▽=0	GENERAL TOLERANCES (UNLESS SPECIFIED)		DIMENSION STYLE		SCALE	DESIGN UNITS	THIRD ANGLE PROJECTION	
		mm	INCH	IN/MM		---	INCH	☐	
		4 PLACES $\pm$ ---	$\pm$ ---	DRAWN BY	DATE	TITLE	HERMAPHRODITIC SL DRAWER CONNECTOR SALES ASSEMBLY MOLEX INCORPORATED		
		3 PLACES $\pm$ ---	$\pm 0.10$	MIBARRA	2005/11/23				
2 PLACES $\pm 0.25$	$\pm 0.14$	CHECKED BY	DATE		MATERIAL NO. DOCUMENT NO. SHEET NO. SD-73099-001 3 OF 4				
1 PLACE $\pm 0.36$	$\pm$ ---	BBARKER	2005/11/23						
ANGULAR $\pm 1/2^\circ$		APPROVED BY	DATE						
		SMILLER	2005/11/23						
DRAFT WHERE APPLICABLE MUST REMAIN WITHIN DIMENSIONS		SEE TABLE							
SIZE D									

"STANDARD" DRAWER  
PART NUMBERS

ASSEMBLY PART NUMBERS AND  
DIMENSIONS BY CIRCUIT SIZE

"CUSTOM" DRAWER \*  
PART NUMBERS  
(SEE NOTE 9., SHEET 1.)

STATUS	PART NUMBER	CKT. SIZE	OPTION TYPE (SEE SHEET 1)	DIM. "A"		DIM. "B"		DIM. "C"		DIM. "D"		DIM. "E"		DIM. "F"		STATUS	PART NUMBER	CKT. SIZE	OPTION TYPE (SEE SHEET 1)
				INCH	(MM)	INCH	(MM)	INCH	(MM)	INCH	(MM)	INCH	(MM)	INCH	(MM)				
X	SAME AS CUSTOM 04	04	A	1.220	(30.99)	.870	(22.10)	.300	(7.62)	.420	(10.67)	1.113	(28.27)	.500	(12.70)	X		04	A
X		04	B	1.220	(30.99)	.870	(22.10)	.300	(7.62)	.420	(10.67)	1.113	(28.27)	.500	(12.70)	X		04	B
X		06	A	1.420	(35.56)	1.070	(27.18)	.500	(12.70)	.620	(15.75)	1.313	(33.35)	.700	(17.78)	X		06	A
X		06	B	1.420	(35.56)	1.070	(27.18)	.500	(12.70)	.620	(15.75)	1.313	(33.35)	.700	(17.78)	X		06	B
X		08	A	1.620	(41.15)	1.270	(32.26)	.700	(17.78)	.820	(20.83)	1.513	(38.43)	.900	(22.86)	X		08	A
X		08	B	1.620	(41.15)	1.270	(32.26)	.700	(17.78)	.820	(20.83)	1.513	(38.43)	.900	(22.86)	X		08	B
X		10	A	1.820	(46.23)	1.470	(37.74)	.900	(22.86)	1.020	(25.91)	1.713	(43.51)	1.100	(27.94)	X		10	A
X		10	B	1.820	(46.23)	1.470	(37.74)	.900	(22.86)	1.020	(25.91)	1.713	(43.51)	1.100	(27.94)	X		10	B
X	73099-9221	12	A	2.020	(51.31)	1.670	(42.42)	1.100	(27.94)	1.220	(30.99)	1.913	(48.59)	1.300	(33.02)	X		12	A
X		12	B	2.020	(51.31)	1.670	(42.42)	1.100	(27.94)	1.220	(30.99)	1.913	(48.59)	1.300	(33.02)	X		12	B

\*X\* STATUS: PART NUMBERS WITH AN \*X\* IN THE STATUS COLUMN OR CIRCUIT SIZES WITH NO ASSOCIATED PART NUMBER DO NOT HAVE EXISTING TOOLING OR PRODUCTION CAPACITY.

\* PREDETERMINED \*SL\* MATING ASSEMBLIES FOR \*CUSTOM\* ID ARE LISTED ON SHEET 2. COMBINATIONS OF \*SL\* MATING CIRCUIT SIZES FOR OTHER \*CUSTOM\* DRAWER ASSEMBLIES HAVE TO BE DETERMINED.

INITIAL RELEASE FCC NO: UCP2006-0364 2005/12/12 DRWINGSMART 2005/12/19 CHKD:BBARKER APPR:SMILLER 2005/12/19 DESCRIPTION REVISION A	QUALITY SYMBOLS	GENERAL TOLERANCES (UNLESS SPECIFIED)		DIMENSION STYLE IN/MM		SCALE ---	DESIGN UNITS INCH	THIRD ANGLE PROJECTION
	▽=0	mm	INCH	DRAWN BY	DATE	TITLE		
	▽=0	4 PLACES ± ---	± ---	MIBARRA	2005/11/23	HERMAPHRODITIC SL DRAWER CONNECTOR SALES ASSEMBLY		
		3 PLACES ± ---	± .010	CHECKED BY	DATE	MOLEX INCORPORATED		
		2 PLACES ± 0.25	± .014	BBARKER	2005/11/23	MATERIAL NO. SD-73099-001 SHEET NO. 4 OF 4		
	1 PLACE ± 0.36	± ---	APPROVED BY	DATE	THIS DRAWING CONTAINS INFORMATION THAT IS PROPRIETARY TO MOLEX INCORPORATED AND SHOULD NOT BE USED WITHOUT WRITTEN PERMISSION			
		ANGULAR ±1/2°	SMILLER	2005/11/23				
			DRAFT WHERE APPLICABLE MUST REMAIN WITHIN DIMENSIONS		SEE TABLE			

## X-ON Electronics

Largest Supplier of Electrical and Electronic Components

*Click to view similar products for [Headers & Wire Housings](#) category:*

*Click to view products by [Molex](#) manufacturer:*

Other Similar products are found below :

[892-18-020-10-001101](#) [58102-G61-06LF](#) [582553-1](#) [0009485154](#) [009176003701906](#) [0050291907](#) [LY20-4P-DT1-P1E-BR](#) [02.125.8002.8](#)  
[609-3404](#) [61062-3](#) [622-0430](#) [622-3653LF](#) [63453-116](#) [636-1030](#) [636-1427](#) [636-3427](#) [636-4007](#) [641938-9](#) [641991-4](#) [644827-2](#) [65817-010LF](#)  
[65817-015LF](#) [65863-015LF](#) [66207-023LF](#) [67095-007LF](#) [67601157](#) [68648-049](#) [70.362.1628.0](#) [70-4210](#) [70-4226B](#) [70-4853B](#) [707-5020](#) [707-5028](#) [71.350.2428.0](#) [71918-208LF](#) [71961-016LF](#) [733-134](#) [733-162](#) [754199-000](#) [760-3052](#) [787-8014-00](#) [79531-3000](#) [FCN-360C032-B](#) [FCN-367T-T012/H](#) [FCN-723D010/2](#) [80.063.4001.1](#) [800-90-001-10-001000](#) [800-90-010-10-002000](#) [801-43-002-10-013000](#) [801-43-006-10-002000](#)