

PLEASE CHECK WWW.MOLEX.COM FOR LATEST PART INFORMATION

Part Number: [0731000015](#)
Status: **Active**
Overview: [BNC Miniature RF Connectors and Cable Assemblies](#)
Description: 50 Ohms, BNC Right-Angle Plug, Crimp, RG-141, RG-303 and RG-58 Cable, Solder Center Contact Termination

Documents:

[Drawing \(PDF\)](#) [RoHS Certificate of Compliance \(PDF\)](#)

General

| | |
|-----------------|--|
| Product Family | RF/Coax Connectors |
| Series | 73100 |
| Overview | BNC Miniature RF Connectors and Cable Assemblies |
| Product Name | BNC |
| Style | Cable |
| Type | Miniature |
| UPC | 756054334782 |
| Wire/Cable Type | RG-141, RG-303, RG-58 |

Physical

| | |
|-----------------------|-------------|
| Gender | Plug |
| Keying to Mating Part | None |
| Net Weight | 18.867/g |
| Orientation | Right Angle |
| PCB Mounting | N/A |
| Packaging Type | Tray |
| Panel Mount | No |
| Panel Mount Method | N/A |
| Reverse Polar | No |

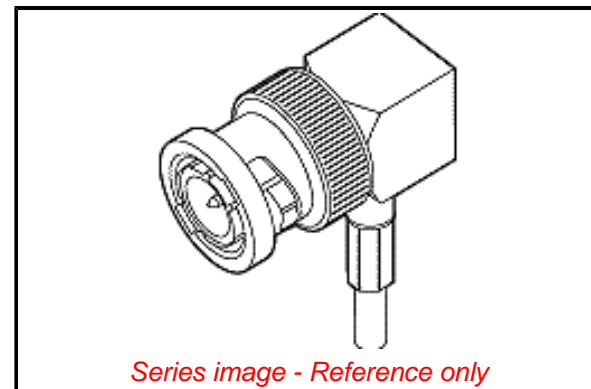
Electrical

| | |
|-----------------|-----------------------------|
| Frequency | 4 GHz |
| Impedance | 50Ω |
| Power / Voltage | VOLTAGE: 500 Vrms@Sea Level |

Material Info

Reference - Drawing Numbers

| | |
|---------------|---------------|
| Sales Drawing | SD-73100-0015 |
|---------------|---------------|



EU ELV

Not Reviewed

EU RoHS

Not Reviewed

REACH SVHC

Not Reviewed

Halogen-Free

Status

Not Reviewed

For more information, please visit [Contact US](#)

China ROHS

Not Reviewed

ELV

Not Reviewed

RoHS Phthalates

Not Reviewed

Search Parts in this Series

[73100 Series](#)

X-ON Electronics

Largest Supplier of Electrical and Electronic Components

Click to view similar products for [RF Connectors / Coaxial Connectors](#) category:

Click to view products by [Molex](#) manufacturer:

Other Similar products are found below :

[8915-1511-000](#) [89674-0827](#) [6001-7071-019](#) [6002-7051-003](#) [6002-7551-202](#) [6059674-1](#) [619550-1](#) [630059-000](#) [M39030/3-01N](#) [6500-7071-046](#) [6769](#) [CX050L2AQ](#) [7002-1542-011](#) [7004-1512-000](#) [7009-1511-004](#) [7010-1511-000](#) [7029-1511-060](#) [7101-1541-010](#) [7101-1571-002](#) [7105-1521-002](#) [7145-1521-002](#) [7203-1571-003](#) [7209-1511-011](#) [7210-1511-015](#) [7210-1511-019](#) [73137-5015](#) [73216-2241](#) [73404-2300](#) [7405-1521-005](#) [7405-1521-802](#) [7406-1521-005](#) [8527](#) [8547](#) [FS11V](#) [877931](#) [8808-1511-001](#) [9049-9513-000](#) [9074-9513-000](#) [9101-9573-002](#) [910A205F](#) [9130-9573-002](#) [PL11SC-026](#) [PL375-33](#) [PL40-5](#) [PL71-9](#) [PL74C-221](#) [PL75MC-217](#) [PL803-7](#) [980-8666-005](#) [1200690078](#)