

PLEASE CHECK WWW.MOLEX.COM FOR LATEST PART INFORMATION

Part Number: [0731000175](#)
Status: **Active**
Overview: SMB RF Connectors
Description: 75 Ohms, SMB PCB Jack Receptacle, Right-Angle, 0.25µm Gold (Au) Plated Body, Tray

Documents:

[Drawing \(PDF\)](#) [RoHS Certificate of Compliance \(PDF\)](#)
[Product Specification PS-73598-0104-001 \(PDF\)](#)

General

Product Family	RF/Coax Connectors
Series	73100
Overview	SMB RF Connectors
Product Name	SMB
Style	PCB
Type	Subminiature
UPC	800753686137
Wire/Cable Type	N/A

Physical

Gender	Jack
Keying to Mating Part	None
Net Weight	2.289/g
Orientation	Right Angle
PCB Mounting	Through Hole
PCB Thickness - Recommended	2.40mm
Packaging Type	Tray
Panel Mount	No
Panel Mount Method	N/A
Reverse Polar	No

Electrical

Frequency	4 GHz
Impedance	75Ω
Power / Voltage	VOLTAGE: 500 Vrms@Sea Level

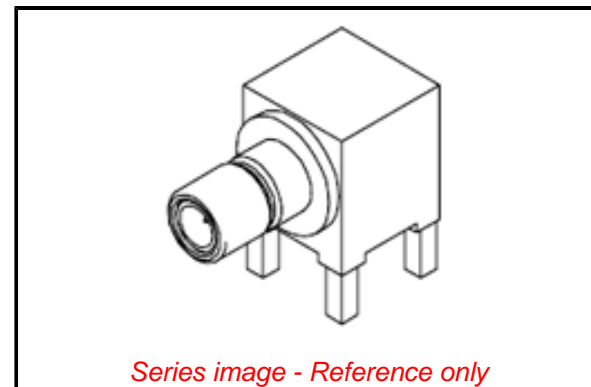
Solder Process Data

Duration at Max. Process Temperature (seconds)	010
Lead-freeProcess Capability	SMC&WAVE
Max. Cycles at Max. Process Temperature	002
Process Temperature max. C	260

Material Info

Reference - Drawing Numbers

Product Specification	PS-73598-0104-001
Sales Drawing	SD-73100-0175-001



Series image - Reference only

EU ELV

Not Relevant

EU RoHS

Compliant with Exemption 6(c)

REACH SVHC

Contained Per -
D(2021)4569-DC (8
July 2021)

Lead

Halogen-Free

Status

Low-Halogen

For more information, please visit [Contact US](#)

China ROHS

50 Image

ELV

Not Relevant

RoHS Phthalates

Not Contained

Search Parts in this Series

[73100 Series](#)

X-ON Electronics

Largest Supplier of Electrical and Electronic Components

Click to view similar products for [RF Connectors](#) / [Coaxial Connectors](#) category:

Click to view products by [Molex](#) manufacturer:

Other Similar products are found below :

[8915-1511-000](#) [89674-0827](#) [6001-7071-019](#) [6002-7051-003](#) [6002-7551-202](#) [6059674-1](#) [619550-1](#) [630059-000](#) [M39030/3-01N](#) [6500-7071-046](#) [6769](#) [CX050L2AQ](#) [7002-1542-011](#) [7004-1512-000](#) [7009-1511-004](#) [7010-1511-000](#) [7029-1511-060](#) [7101-1541-010](#) [7101-1571-002](#) [7105-1521-002](#) [7145-1521-002](#) [7203-1571-003](#) [7209-1511-011](#) [7210-1511-015](#) [7210-1511-019](#) [73137-5015](#) [73216-2241](#) [73404-2300](#) [7405-1521-005](#) [7405-1521-802](#) [7406-1521-005](#) [8527](#) [8547](#) [FS11V](#) [877931](#) [8808-1511-001](#) [9049-9513-000](#) [9074-9513-000](#) [9101-9573-002](#) [910A205F](#) [9130-9573-002](#) [PL11SC-026](#) [PL375-33](#) [PL40-5](#) [PL71-9](#) [PL74C-221](#) [PL75MC-217](#) [PL803-7](#) [980-8666-005](#) [1200690078](#)