

MATERIALS AND FINISHES

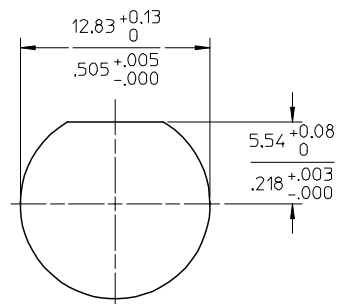
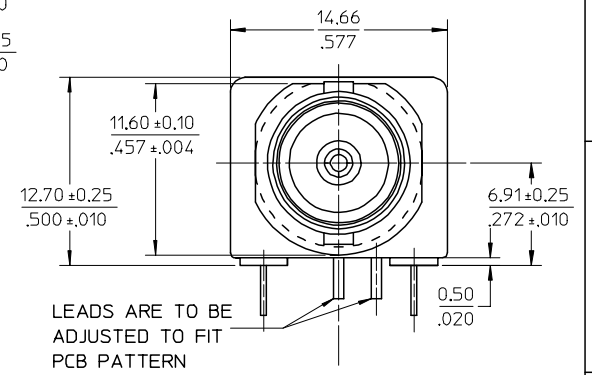
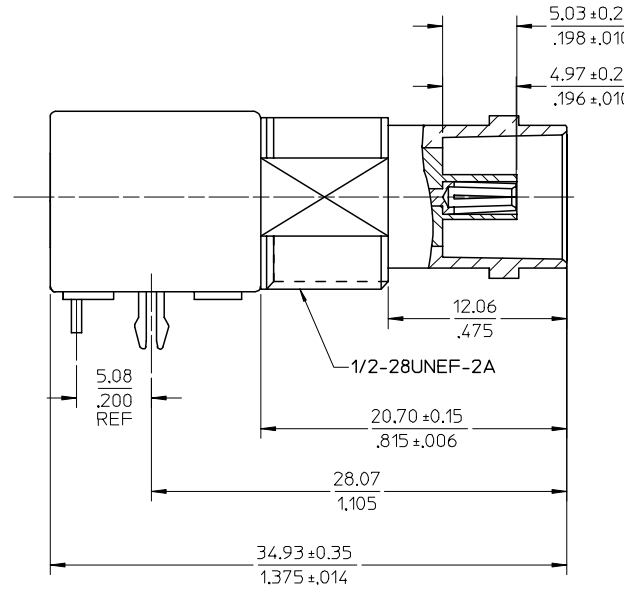
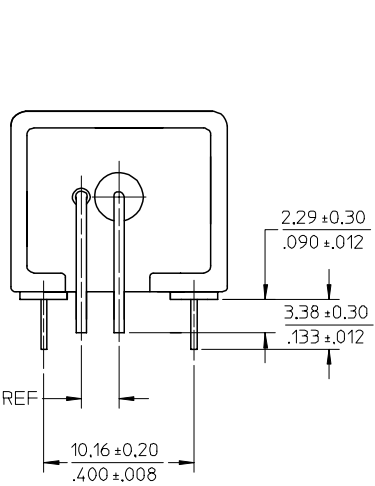
BODY ZINC ALLO
NICKEL PLATED 70 MICROINCHES MIN

CENTER CONTACT PHOSPHOR BRONZE
GOLD PLATED 10 MICROINCHES MIN

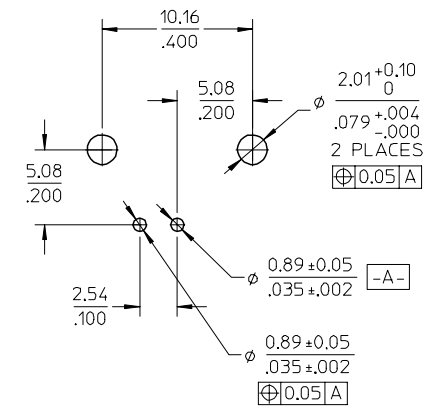
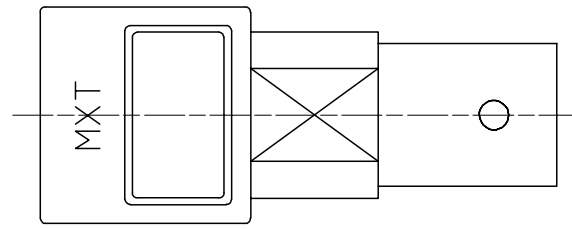
INSULATOR
POLYPROPYLENE (94V2)

BOARD LOCK PHOSPHOR BRONZE
TIN PLATED 200 MICROINCHES MIN

SOLDER TAIL COPPER OVER STEEL
TIN PLATED 200 MICROINCHES MIN



RECOMMENDED MOUNTING HOLE
MAXIMUM PANEL THICKNESS: 5.40mm
RECOMMENDED MOUNTING TORQUE:
12 INCH-POUNDS MAX.



RECOMMENDED PCB HOLE CONFIGURATION

PART # 73101-0570

PS-73598-0051	PRODUCT SPECIFICATION
SPECIFICATION	DESCRIPTION

ENTER DESCRIPTION	2004/10/05
EC NO: URF2005-0098	2004/10/06
DRWN:CLLI	2004/10/06
CHKD:	2004/10/06
APPR:MIUANG	2004/10/06
REV	DESCRIPTION
A	

QUALITY SYMBOLS	▽=0
	▽C=0

GENERAL TOLERANCES (UNLESS SPECIFIED)	MM	INCH
4 PLACES	± .005	± .0002
3 PLACES	± .003	± .0001
2 PLACES	± .002	± .0001
1 PLACE	± .001	± .0001
ANGULAR ± 2 °		
DRAFT WHERE APPLICABLE MUST REMAIN WITHIN DIMENSIONS		

DIMENSION STYLE		SCALE	DESIGN UNITS	THIRD ANGLE PROJECTION
MM/IN		1:1	METRIC	⊕ □
DRAWN BY	DATE	TITLE		
CLLI	2004/06/30	75 OHM BNC R/A		
CHECKED BY	DATE	PCB (DIE CAST) BNC-J/PCB		
PENNY	2004/06/30	BNC-PCB/RA/BK		
APPROVED BY	DATE	MOLEX INCORPORATED		
MISEN	2004/06/30	MOLEX INCORPORATED		
MATERIAL NO.	DOCUMENT NO.	SHEET NO.		
73101-0570	SD-73101-057	1 OF 1		

THIS DRAWING CONTAINS INFORMATION THAT IS PROPRIETARY TO MOLEX INCORPORATED AND SHOULD NOT BE USED WITHOUT WRITTEN PERMISSION		
---	--	--

X-ON Electronics

Largest Supplier of Electrical and Electronic Components

Click to view similar products for [RF Connectors / Coaxial Connectors](#) category:

Click to view products by [Molex](#) manufacturer:

Other Similar products are found below :

[8915-1511-000](#) [89674-0827](#) [6001-7071-019](#) [6002-7051-003](#) [6002-7551-202](#) [6059674-1](#) [619550-1](#) [630059-000](#) [M39030/3-01N](#) [6500-7071-046](#) [6769](#) [CX050L2AQ](#) [7002-1542-011](#) [7004-1512-000](#) [7009-1511-004](#) [7010-1511-000](#) [7029-1511-060](#) [7101-1541-010](#) [7101-1571-002](#) [7105-1521-002](#) [7145-1521-002](#) [7203-1571-003](#) [7209-1511-011](#) [7210-1511-015](#) [7210-1511-019](#) [73137-5015](#) [73216-2241](#) [73404-2300](#) [7405-1521-005](#) [7405-1521-802](#) [8527](#) [8547](#) [FS11V](#) [8808-1511-001](#) [9049-9513-000](#) [9074-9513-000](#) [9101-9573-002](#) [910A205F](#) [9130-9573-002](#) [PL11SC-026](#) [PL375-33](#) [PL40-5](#) [PL74C-221](#) [PL75MC-217](#) [PL803-7](#) [980-8666-005](#) [1200690078](#) [1-201144-1](#) [R107003010W](#) [R110A172100](#)