

MATERIALS AND FINISHES

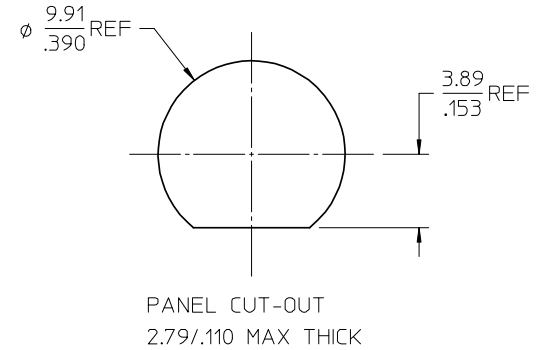
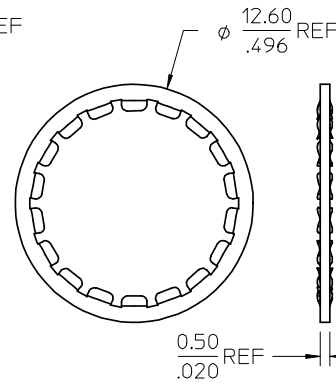
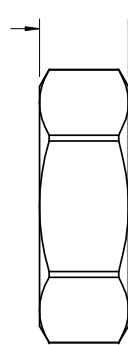
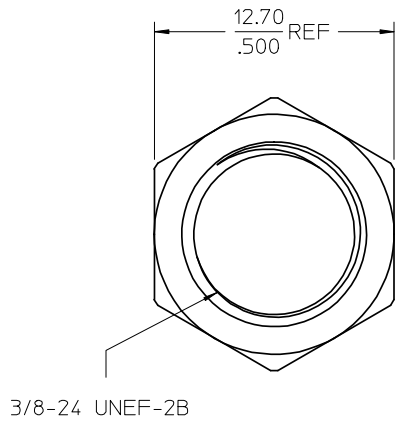
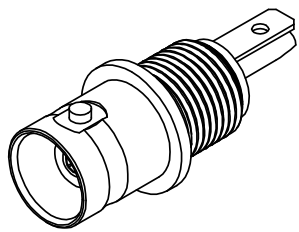
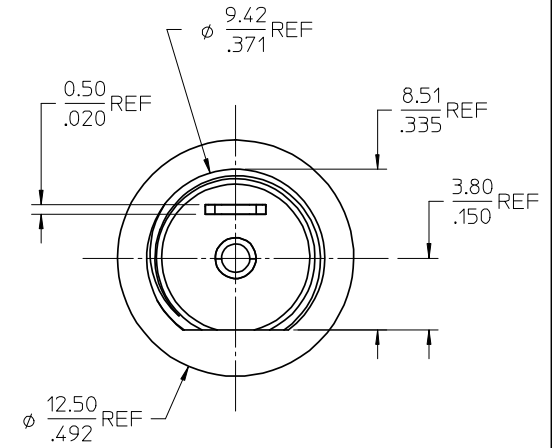
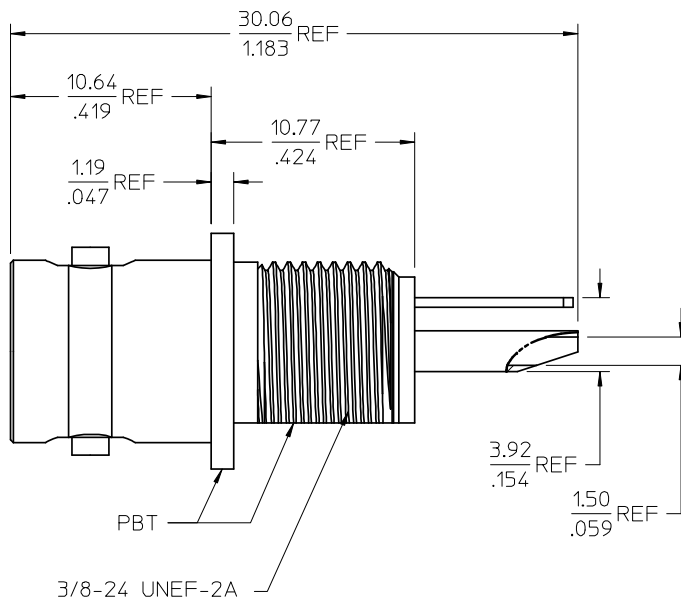
BODY, JAM NUT: BRASS
PLATED NICKEL

INSULATOR/FLANGE/THREADS: PBT (WHITE)

CONTACT: PHOSPHOR BRONZE
PLATED SILVER

LOCK WASHER: PHOSPHOR BRONZE
PLATED NICKEL

GROUND: BRASS
PLATED SILVER



PART # 73115-5001

ES-73599-0000	INTERFACE
PS-73598-0019	ELEC/MECH PERFORMANCE
SPECIFICATION	DESCRIPTION

CHG: REDREW IN SD AND LOADED INTO WM.
EC NO: URF2008-0401
DRWN:ROBERTSON 2008/02/04
CHKD:SSHAH 2008/02/04
APPR:JWIENER 2008/02/04

QUALITY SYMBOLS
▽=0
▽=0

GENERAL TOLERANCES (UNLESS SPECIFIED)
4 PLACES ± --- ± ---
3 PLACES ± --- ± ---
2 PLACES ± --- ± ---
1 PLACE ± --- ± ---
ANGULAR ± 2°
DRAFT WHERE APPLICABLE MUST REMAIN WITHIN DIMENSIONS

DIMENSION STYLE MM/IN
DRAWN BY DATE LILY 1992/01/16
CHECKED BY DATE V WANG 1995/10/14
APPROVED BY DATE R FIELDS 1995/10/23
MATERIAL NO. 731155001

SCALE DESIGN UNITS METRIC
THIRD ANGLE PROJECTION
TITLE BNC JACK 50 OHM BULKHEAD RECEPTACLE BNC-JR, EWR-3536
MOLEX MOLEX INCORPORATED
DOCUMENT NO. SD-73115-5001 SHEET NO. 1 OF 1
THIS DRAWING CONTAINS INFORMATION THAT IS PROPRIETARY TO MOLEX INCORPORATED AND SHOULD NOT BE USED WITHOUT WRITTEN PERMISSION

X-ON Electronics

Largest Supplier of Electrical and Electronic Components

Click to view similar products for [RF Connectors](#) / [Coaxial Connectors](#) category:

Click to view products by [Molex](#) manufacturer:

Other Similar products are found below :

[8915-1511-000](#) [89674-0827](#) [6001-7071-019](#) [6002-7051-003](#) [6002-7551-202](#) [6059674-1](#) [619550-1](#) [630059-000](#) [M39030/3-01N](#) [6500-7071-046](#) [6769](#) [CX050L2AQ](#) [7002-1542-011](#) [7004-1512-000](#) [7009-1511-004](#) [7010-1511-000](#) [7029-1511-060](#) [7101-1541-010](#) [7101-1571-002](#) [7105-1521-002](#) [7145-1521-002](#) [7203-1571-003](#) [7209-1511-011](#) [7210-1511-015](#) [7210-1511-019](#) [73137-5015](#) [73216-2241](#) [73404-2300](#) [7405-1521-005](#) [7405-1521-802](#) [8527](#) [8547](#) [FS11V](#) [8808-1511-001](#) [9049-9513-000](#) [9074-9513-000](#) [9101-9573-002](#) [910A205F](#) [9130-9573-002](#) [PL11SC-026](#) [PL375-33](#) [PL40-5](#) [PL74C-221](#) [PL75MC-217](#) [PL803-7](#) [980-8666-005](#) [1200690078](#) [1-201144-1](#) [R107003010W](#) [R110A172100](#)