

PLEASE CHECK WWW.MOLEX.COM FOR LATEST PART INFORMATION

Part Number: [0731315013](#)
Status: **Active**
Overview: [BNC Miniature RF Connectors and Cable Assemblies](#)
Description: BNC 50 Ohm, Vertical PCB Bulkhead Jack Receptacle, Panel Isolated, White PBT Housing

Documents:

[Drawing \(PDF\)](#) [RoHS Certificate of Compliance \(PDF\)](#)

General

Product Family	RF/Coax Connectors
Series	73131
Overview	BNC Miniature RF Connectors and Cable Assemblies
Product Name	BNC
Style	PCB
Type	Miniature
UPC	800753692022
Wire/Cable Type	N/A

Physical

Cable Attachment	N/A
Gender	Jack
Keying to Mating Part	None
Net Weight	15.295/g
Orientation	Straight
PCB Mounting	Through Hole
PCB Thickness - Recommended	3.20mm
Packaging Type	Tray
Panel Mount	Yes
Panel Mount Method	Bulkhead
Reverse Polar	No

Electrical

Frequency	2 GHz
Impedance	50Ω
Power / Voltage	VOLTAGE: 500 Vrms@Sea Level

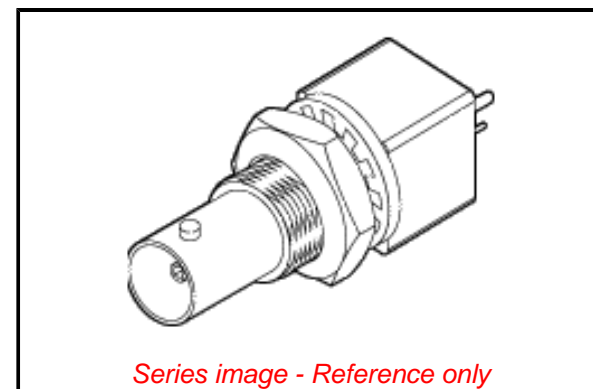
Solder Process Data

Lead-freeProcess Capability	WAVE
Process Temperature max. C	245

Material Info

Reference - Drawing Numbers

Sales Drawing	SD-73131-5013-001
---------------	-------------------



EU ELV

Not Relevant

EU RoHS

Compliant with Exemption 6(c)

REACH SVHC

Contained Per - D(2020)9139-DC (19 Jan 2021)

Lead

Halogen-Free

Status

Not Low-Halogen

For more information, please visit [Contact US](#)

China ROHS

50 Image

ELV

Not Relevant

RoHS Phthalates

Not Contained

Search Parts in this Series

[73131 Series](#)

X-ON Electronics

Largest Supplier of Electrical and Electronic Components

Click to view similar products for [RF Connectors / Coaxial Connectors](#) category:

Click to view products by [Molex](#) manufacturer:

Other Similar products are found below :

[8915-1511-000](#) [89674-0827](#) [6001-7071-019](#) [6002-7051-003](#) [6002-7551-202](#) [6059674-1](#) [619550-1](#) [630059-000](#) [M39030/3-01N](#) [6500-7071-046](#) [6769](#) [CX050L2AQ](#) [7002-1542-011](#) [7004-1512-000](#) [7009-1511-004](#) [7010-1511-000](#) [7029-1511-060](#) [7101-1541-010](#) [7101-1571-002](#) [7105-1521-002](#) [7145-1521-002](#) [7203-1571-003](#) [7209-1511-011](#) [7210-1511-015](#) [7210-1511-019](#) [73137-5015](#) [73216-2241](#) [73404-2300](#) [7405-1521-005](#) [7405-1521-802](#) [8527](#) [8547](#) [FS11V](#) [8808-1511-001](#) [9049-9513-000](#) [9074-9513-000](#) [9101-9573-002](#) [910A205F](#) [9130-9573-002](#) [PL11SC-026](#) [PL375-33](#) [PL40-5](#) [PL74C-221](#) [PL75MC-217](#) [PL803-7](#) [980-8666-005](#) [1200690078](#) [1-201144-1](#) [R107003010W](#) [R110A172100](#)