

MATERIALS AND FINISHES

BODY ----- ZINC ALLOY
PLATED NICKEL

HOUSING ---- POLYESTER BUTYLENE
TEREPHTHALATE (WHITE)

CENTER CONTACT -- PHOSPHOR BRONZE
PLATED TIN

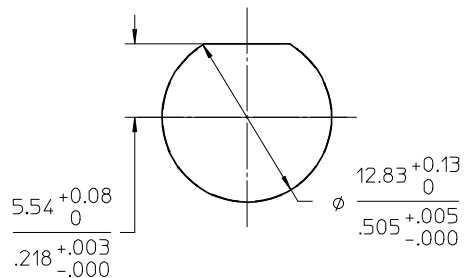
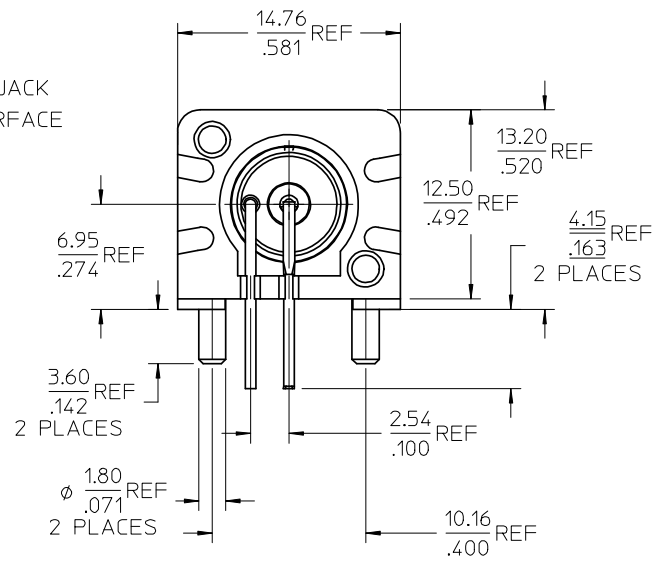
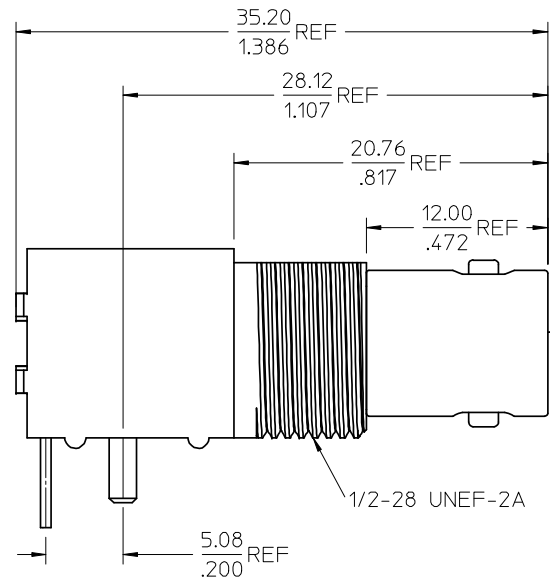
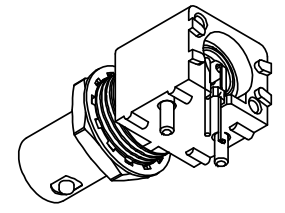
DIELECTRIC --- POLYPROPYLENE (94V2)

MOUNTING POST --- BRASS
PLATED TIN

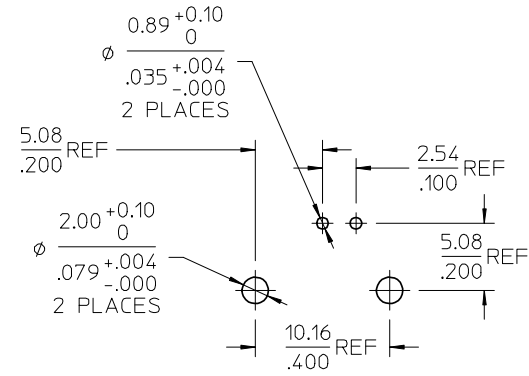
SOLDER TAIL ---- COPPER OVER STEEL WIRE
PLATED TIN

LOCKWASHER --- PHOSPHOR BRONZE
PLATED NICKEL

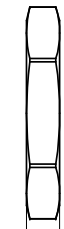
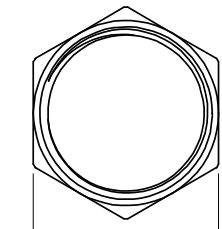
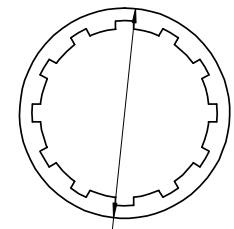
JAM NUT --- BRASS
PLATED NICKEL



RECOMMENDED MOUNTING HOLE



RECOMMENDED PCB LAYOUT



PART NUMBER 73137-5015

CHG: CONVERTED TO SD DRAWING EC NO: URF2008-0341 DRWN: JWIENER 2007/12/28 CHKD: ROBERTSON 2007/12/28 APPR: JWIENER 2007/12/28	QUALITY SYMBOLS
	= 0 = 0
DESCRIPTION	REV
	F1

GENERAL TOLERANCES (UNLESS SPECIFIED)	mm	INCH
	4 PLACES ±	±
	3 PLACES ±	±
	2 PLACES ±	±
	1 PLACE ±	±
ANGULAR ± 2 °		
DRAFT WHERE APPLICABLE MUST REMAIN WITHIN DIMENSIONS		

DIMENSION STYLE	
MM/IN	
DRAWN BY	DATE
IRIS WANG	1991/01/21
CHECKED BY	DATE
APPROVED BY	DATE
MATERIAL NO.	731375015
SIZE	C

SCALE	DESIGN UNITS	THIRD ANGLE PROJECTION
	METRIC	
TITLE		
BNC, JACK PCB R/A 50 OHM MOLDED HOUSING BNC-J/PCB/RA/BK		
molex MOLEX INCORPORATED		
DOCUMENT NO.	SD-73137-5015	SHEET NO.
		1 OF 1
THIS DRAWING CONTAINS INFORMATION THAT IS PROPRIETARY TO MOLEX INCORPORATED AND SHOULD NOT BE USED WITHOUT WRITTEN PERMISSION		

X-ON Electronics

Largest Supplier of Electrical and Electronic Components

Click to view similar products for [RF Connectors](#) / [Coaxial Connectors](#) category:

Click to view products by [Molex](#) manufacturer:

Other Similar products are found below :

[8915-1511-000](#) [89674-0827](#) [6001-7071-019](#) [6002-7051-003](#) [6002-7551-202](#) [6059674-1](#) [619550-1](#) [630059-000](#) [M39030/3-01N](#) [6500-7071-046](#) [6769](#) [CX050L2AQ](#) [7002-1542-011](#) [7004-1512-000](#) [7009-1511-004](#) [7010-1511-000](#) [7029-1511-060](#) [7101-1541-010](#) [7101-1571-002](#) [7105-1521-002](#) [7145-1521-002](#) [7203-1571-003](#) [7209-1511-011](#) [7210-1511-015](#) [7210-1511-019](#) [73137-5015](#) [73216-2241](#) [73404-2300](#) [7405-1521-005](#) [7405-1521-802](#) [8527](#) [8547](#) [FS11V](#) [8808-1511-001](#) [9049-9513-000](#) [9074-9513-000](#) [9101-9573-002](#) [910A205F](#) [9130-9573-002](#) [PL11SC-026](#) [PL375-33](#) [PL40-5](#) [PL74C-221](#) [PL75MC-217](#) [PL803-7](#) [980-8666-005](#) [1200690078](#) [1-201144-1](#) [R107003010W](#) [R110A172100](#)