

MATERIALS AND FINISHES:

**BODY: STAINLESS STEEL
PASSIVATE**

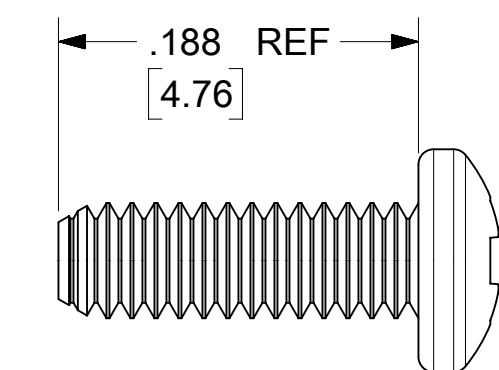
**CENTER CONTACT: BERYLLIUM COPPER
PLATED: GOLD (30µ-in MIN)
OVER NICKEL (100µ-in MIN)**

INSULATOR: PTFE

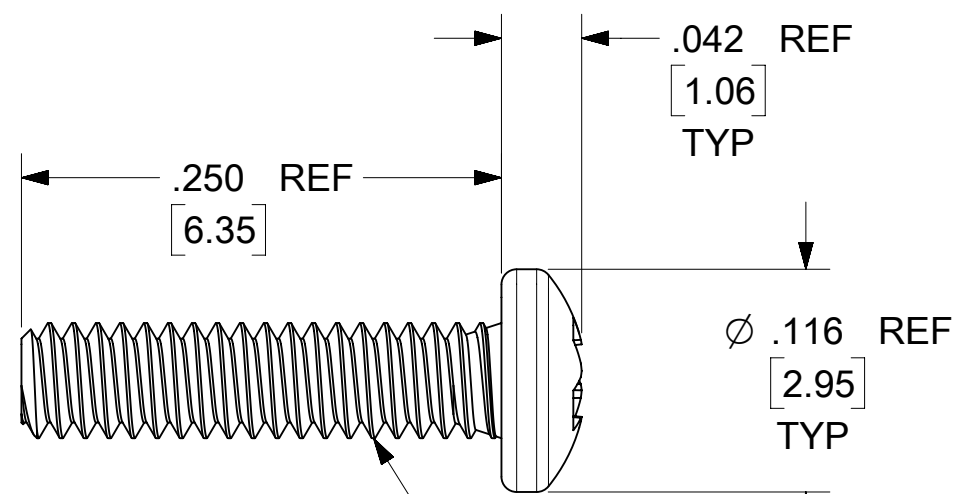
**SCREW: STEEL
PASSIVATE**

1.85MM JACK
INTERFACE

M7 X 0.75-6g

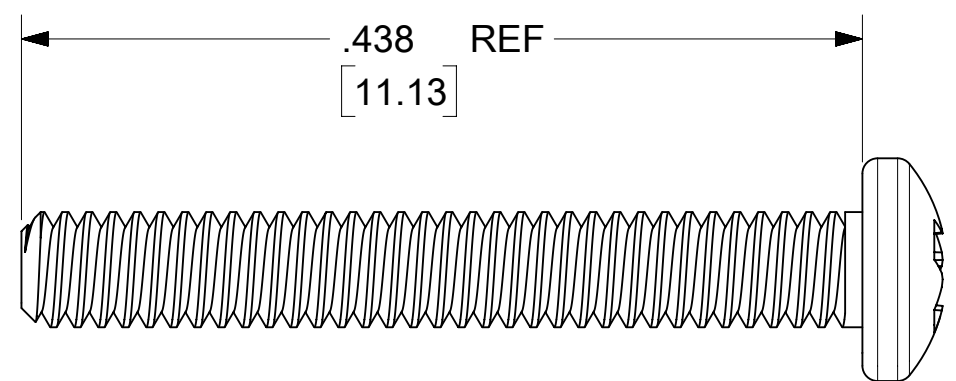


FOR -0001

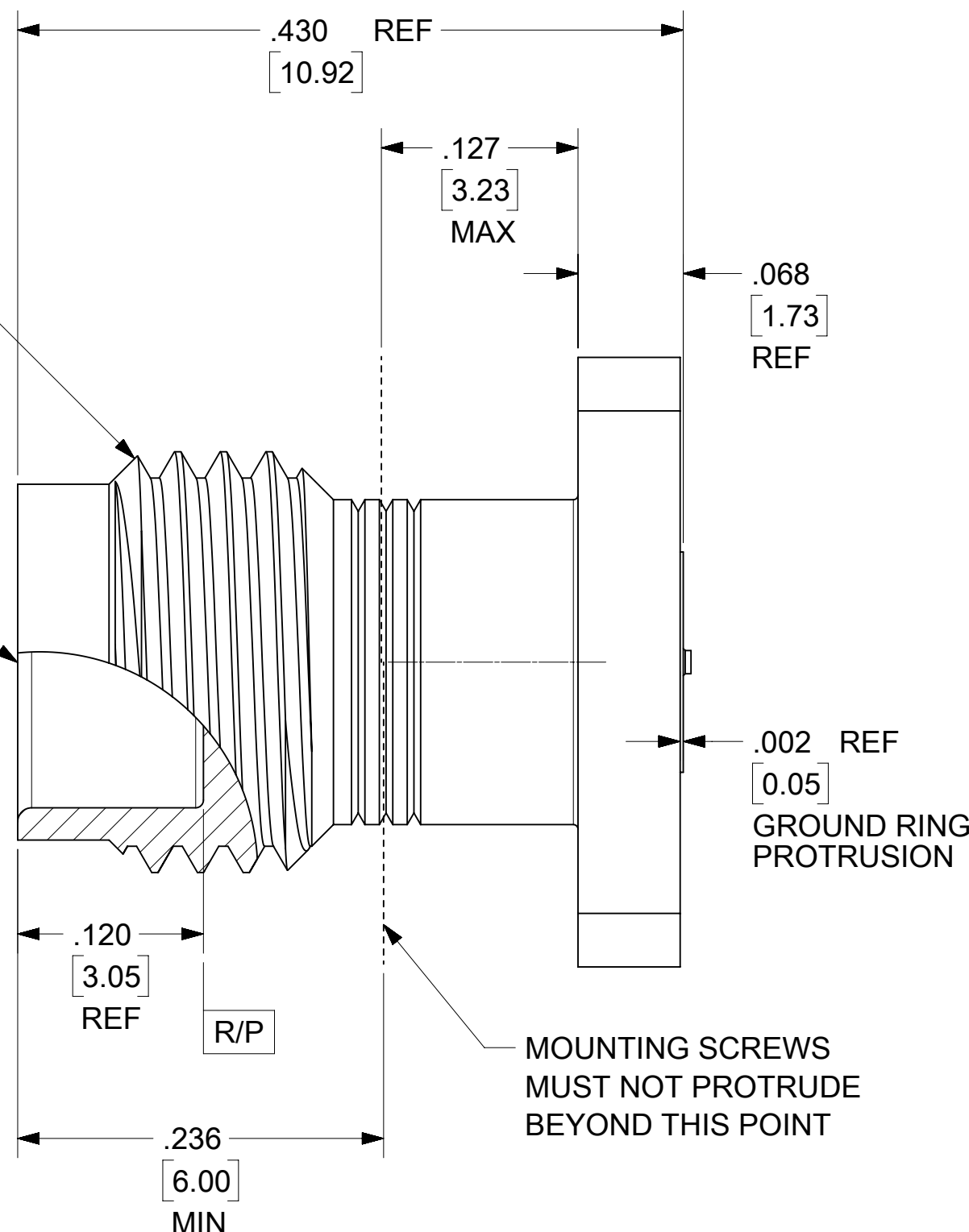


FOR -0002

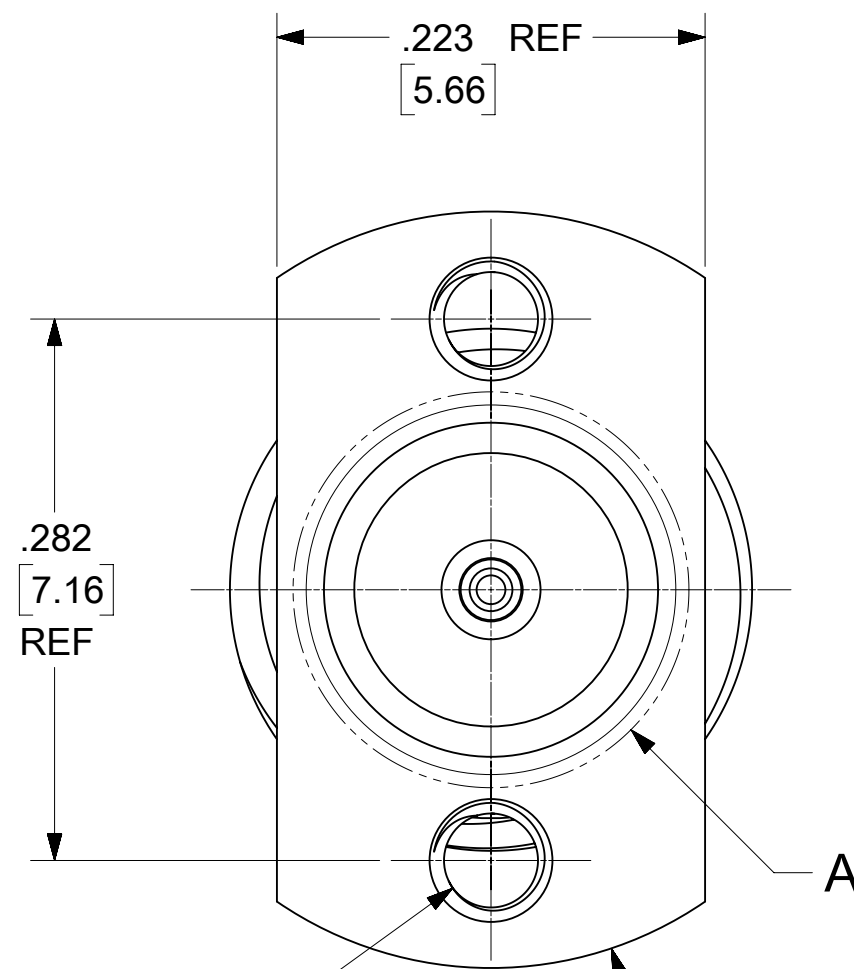
#0-80 UNF-2A THREAD TYP
TORQUE TO 0.5 - 0.8 IN-LBS



FOR -0003



MOUNTING SCREWS
MUST NOT PROTRUDE
BEYOND THIS POINT



#0-80 UNF-2B
THREAD 2 PLACES

Ø .016 MIN [0.41]
SIGNAL PAD

Ø .142 MIN [3.62]
GROUND RING
OUTER DIAMETER

Ø .047 MIN [1.20]
GROUND RING
INNER DIAMETER

Ø .063 ^{+0.003}_{-0.000} ^{+0.08}_{-0.00}
FINISHED HOLE SIZE
2 PLACES

.282 ±.002
[7.16 ±0.05]

Ø .0150 REF [0.381]
CENTER
CONTACT

Ø .1424 REF [3.617]
GROUNDING
RING OUTER
DIAMETER

Ø .0516 REF [1.311]
GROUNDING
RING INNER
DIAMETER

GENERAL PCB LAYOUT RECOMMENDATIONS
FOR OPTIMIZED LAYOUTS CONTACT MOLEX ENGINEERING

DETAIL A

73157-0003	WITH TWO .438 [11.13] SCREWS	.252 [6.40] TO .352 [8.94]
73157-0002	WITH TWO .250 [6.35] SCREWS	.077 [1.96] TO .157 [3.99]
73157-0001	WITH TWO .188 [4.76] SCREWS	.022 [0.56] TO .100 [2.54]
73157-0000	NO HARDWARE	N/A
PART NO.	DESCRIPTION	PCB THICKNESS

RELEASE STATUS P1 RELEASE DATE 27.10.2017 21:19:04

QUALITY SYMBOLS	THIS DRAWING CONTAINS INFORMATION THAT IS PROPRIETARY TO MOLEX ELECTRONIC TECHNOLOGIES, LLC AND SHOULD NOT BE USED WITHOUT WRITTEN PERMISSION			
	2017/10/25	2017/10/27	DIMENSION UNITS	SCALE
▽ = 0	GENERAL TOLERANCES (UNLESS SPECIFIED)		mm	NTS
▽ = 0			DRWN BY	DATE
▽ = 0			JLEE02	2012/10/24
▽ = 0			CHK'D BY	DATE
▽ = 0			SSS	2012/10/24
▽ = 0			APPR BY	DATE
▽ = 0			JWIENER	2013/07/01
▽ = 0			DRAWING SIZE	THIRD ANGLE PROJECTION
▽ = 0			C	
▽ = 0			DRAFT WHERE APPLICABLE MUST REMAIN WITHIN DIMENSIONS	
▽ = 0			ANGULAR TOL = 2.0	
▽ = 0			SERIES MATERIAL NUMBER CUSTOMER	
			73157	SEE TABLE
			DOCUMENT NUMBER DOC TYPE DOC PART SHEET NUMBER	
			SD-73157-000	PSD 001 1 OF 1

X-ON Electronics

Largest Supplier of Electrical and Electronic Components

Click to view similar products for [RF Connectors / Coaxial Connectors](#) category:

Click to view products by [Molex](#) manufacturer:

Other Similar products are found below :

[8915-1511-000](#) [89674-0827](#) [6001-7071-019](#) [6002-7051-003](#) [6002-7551-202](#) [6059674-1](#) [619550-1](#) [630059-000](#) [M39030/3-01N](#) [6500-7071-046](#) [6769](#) [CX050L2AQ](#) [7002-1542-011](#) [7004-1512-000](#) [7009-1511-004](#) [7010-1511-000](#) [7029-1511-060](#) [7101-1541-010](#) [7101-1571-002](#) [7105-1521-002](#) [7145-1521-002](#) [7203-1571-003](#) [7209-1511-011](#) [7210-1511-015](#) [7210-1511-019](#) [73137-5015](#) [73216-2241](#) [73404-2300](#) [7405-1521-005](#) [7405-1521-802](#) [8527](#) [8547](#) [FS11V](#) [8808-1511-001](#) [9049-9513-000](#) [9074-9513-000](#) [9101-9573-002](#) [910A205F](#) [9130-9573-002](#) [PL11SC-026](#) [PL375-33](#) [PL40-5](#) [PL74C-221](#) [PL75MC-217](#) [PL803-7](#) [980-8666-005](#) [1200690078](#) [1-201144-1](#) [R107003010W](#) [R110A172100](#)