

MATERIALS AND FINISHES:

**BODY: STAINLESS STEEL
PASSIVATE**

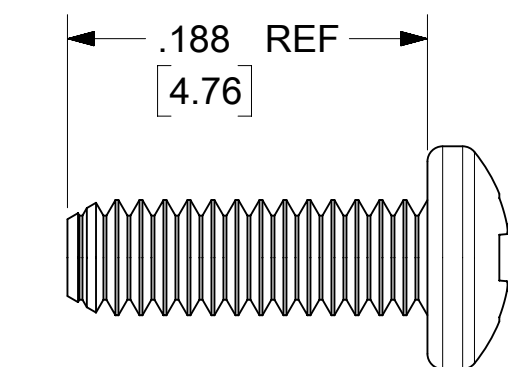
**CENTER CONTACT: BERYLLIUM COPPER
PLATED: GOLD (30µ-in MIN)
OVER NICKEL (100µ-in MIN)**

INSULATOR: PTFE

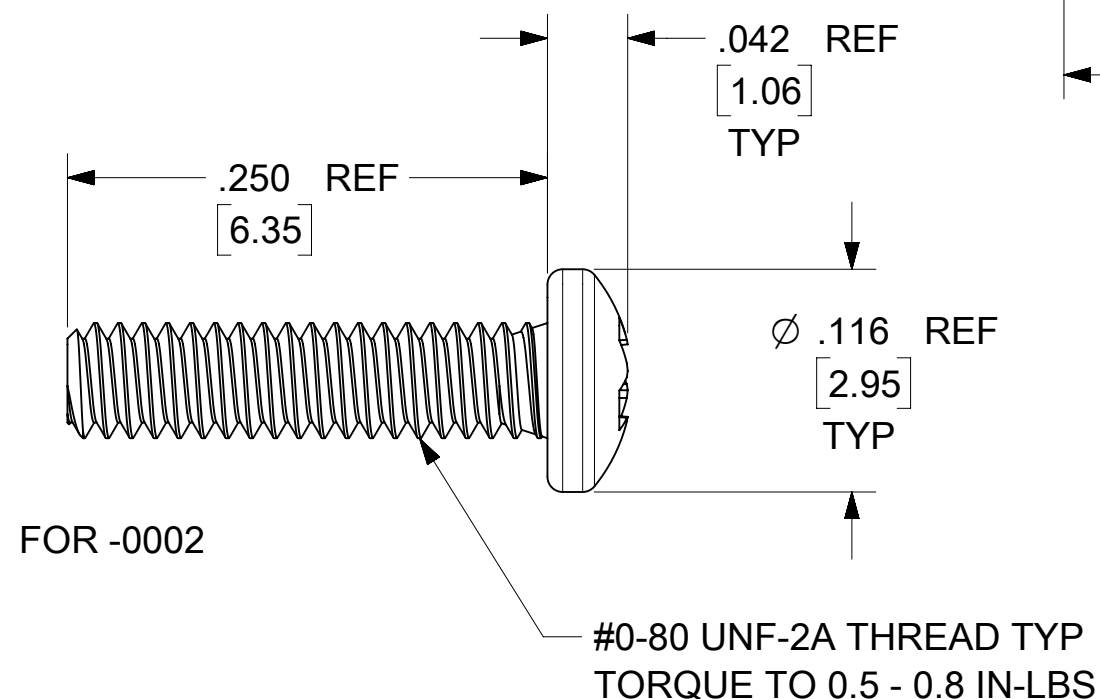
**SCREW: STEEL
PASSIVATE**

1.85MM JACK
INTERFACE

M7 X 0.75-6g

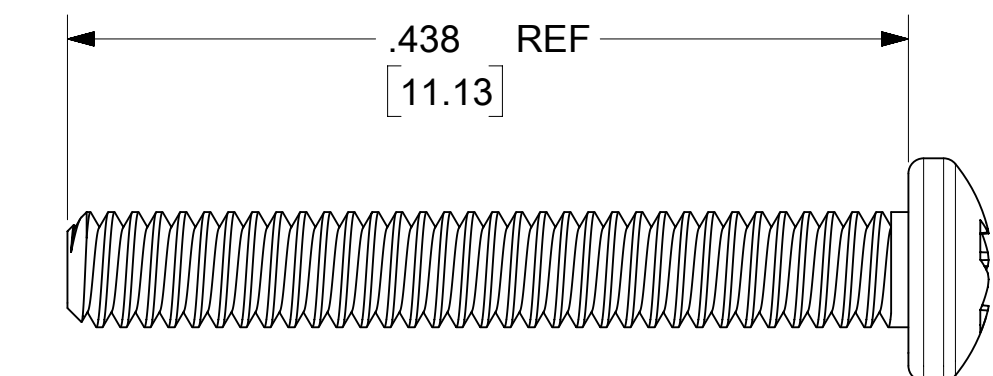


FOR -0001

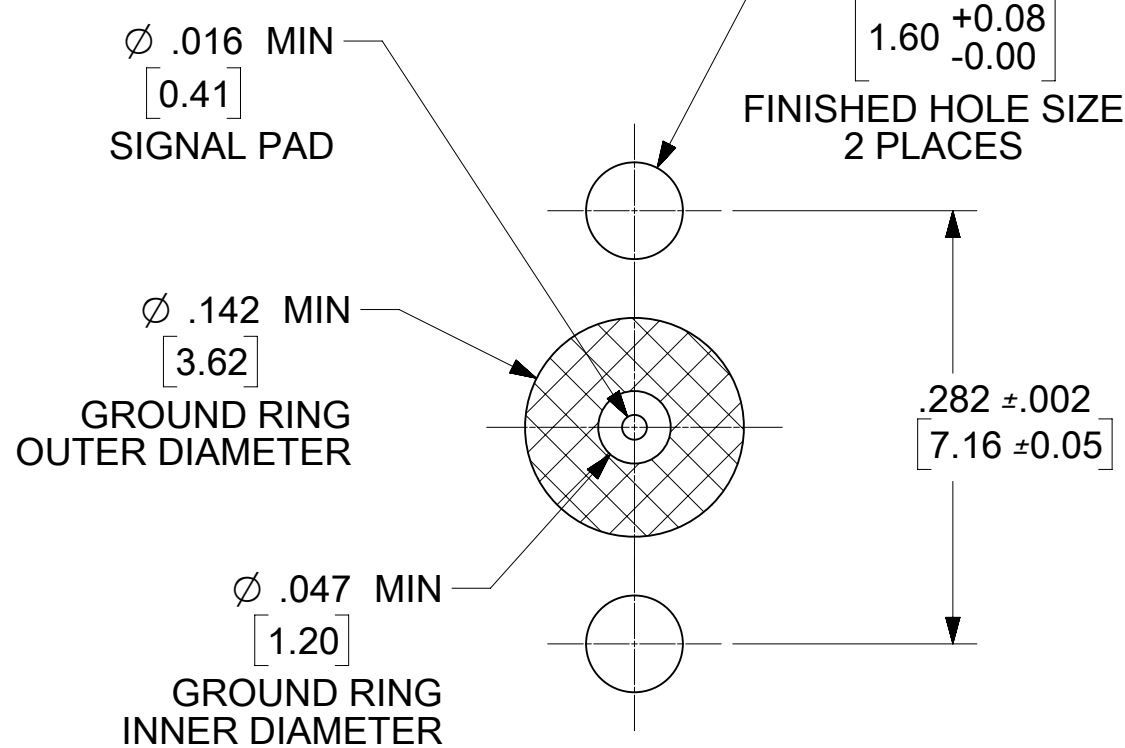
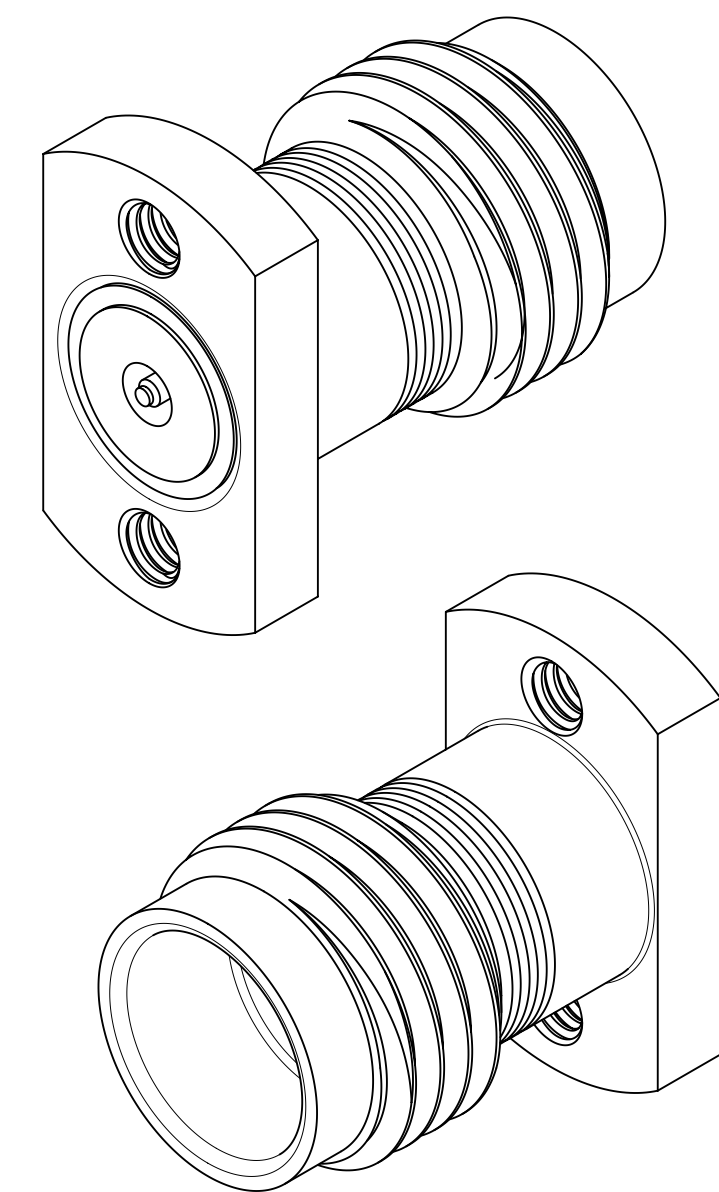
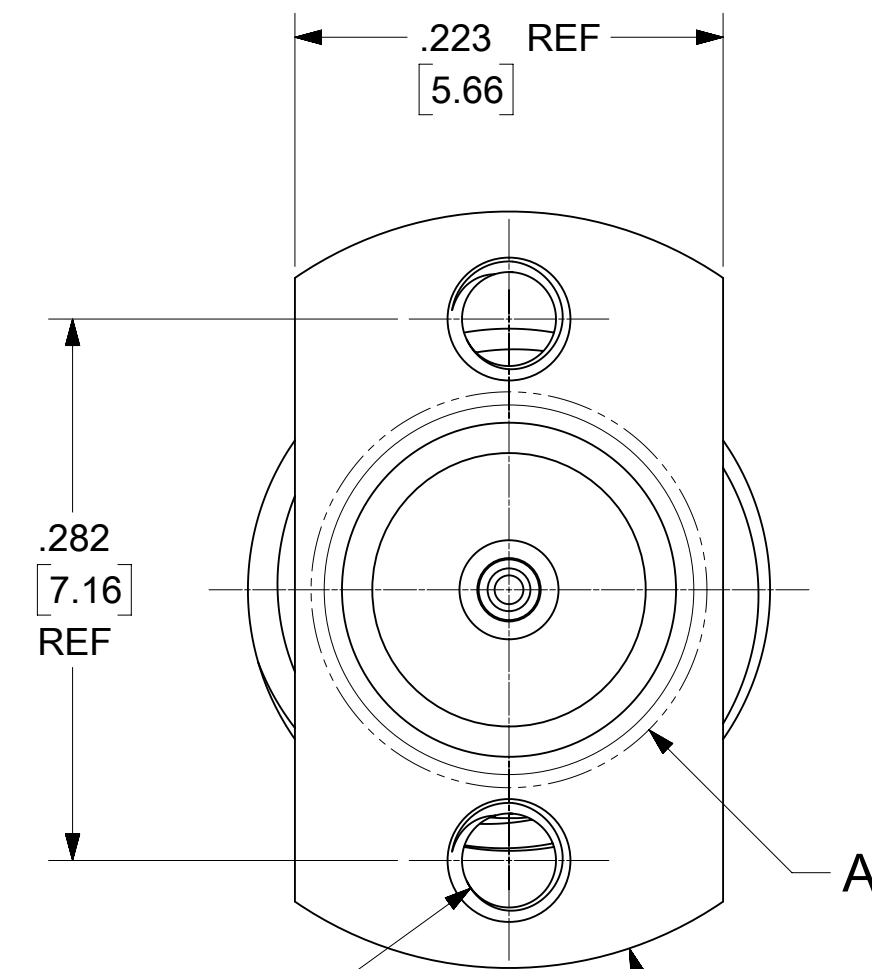
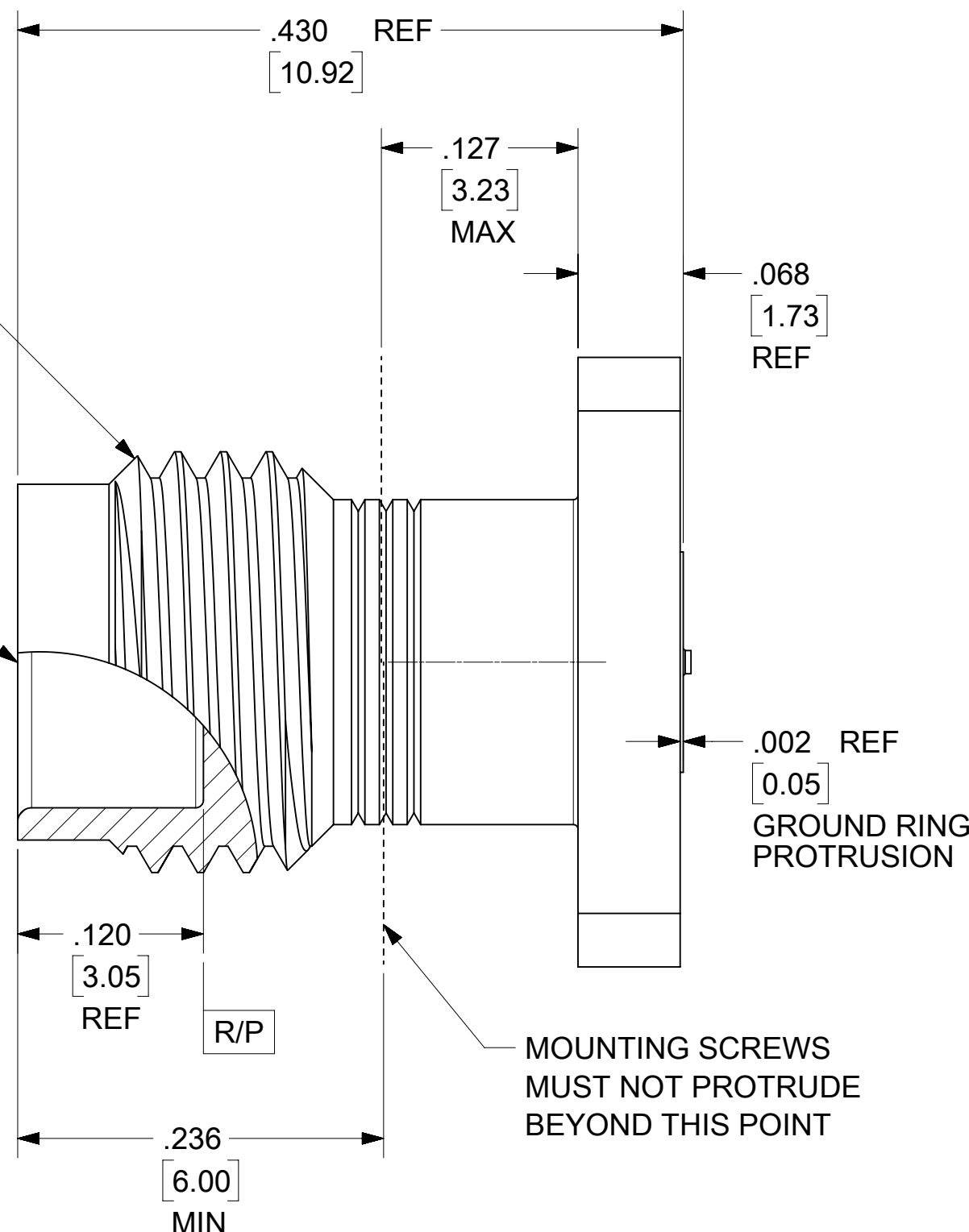


FOR -0002

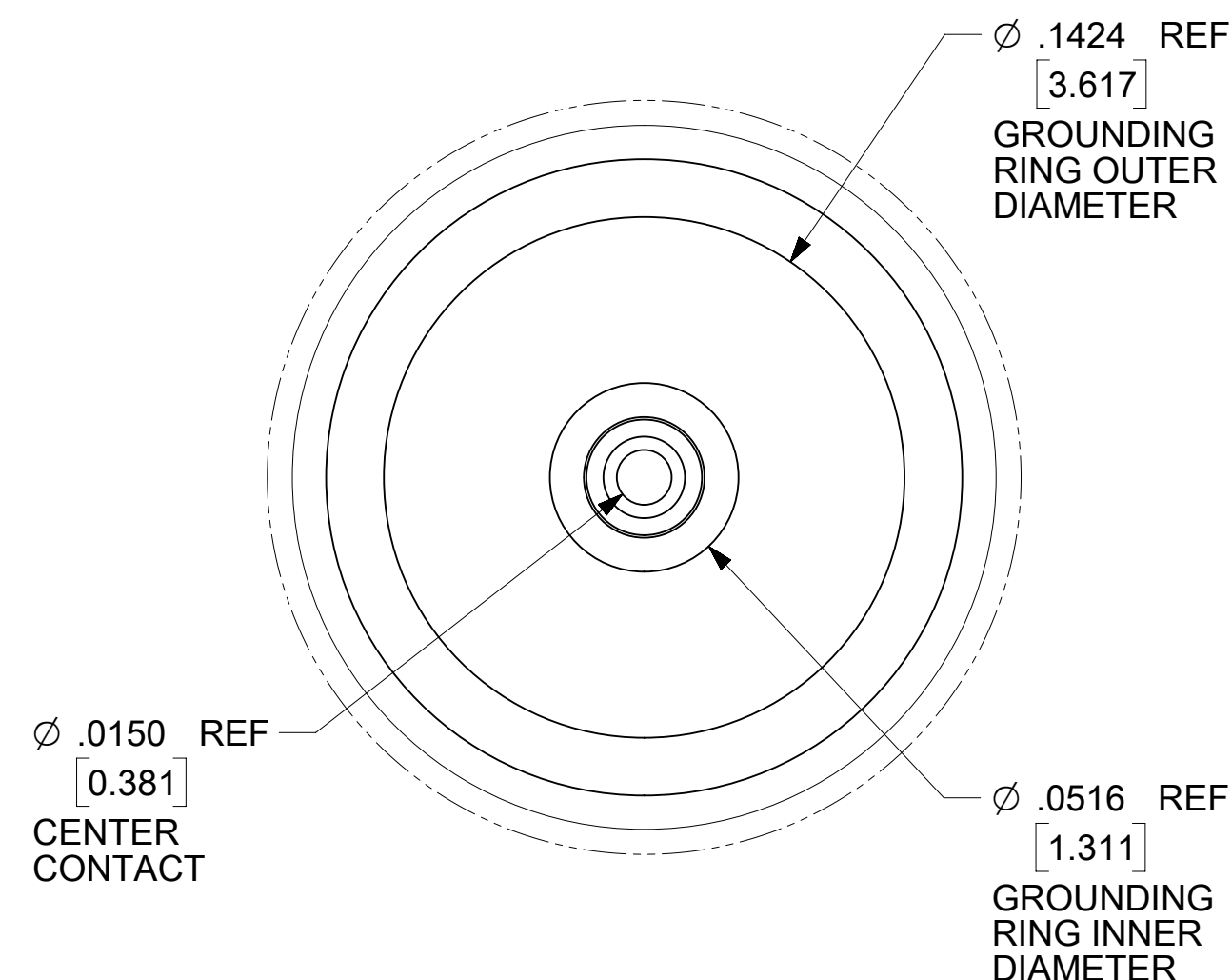
#0-80 UNF-2A THREAD TYP
TORQUE TO 0.5 - 0.8 IN-LBS



FOR -0003



GENERAL PCB LAYOUT RECOMMENDATIONS
FOR OPTIMIZED LAYOUTS CONTACT MOLEX ENGINEERING



DETAIL A

73157-0003	WITH TWO .438 [11.13] SCREWS	.252 [6.40] TO .352 [8.94]
73157-0002	WITH TWO .250 [6.35] SCREWS	.077 [1.96] TO .157 [3.99]
73157-0001	WITH TWO .188 [4.76] SCREWS	.022 [0.56] TO .100 [2.54]
73157-0000	NO HARDWARE	N/A
PART NO.	DESCRIPTION	PCB THICKNESS

QUALITY SYMBOLS	THIS DRAWING CONTAINS INFORMATION THAT IS PROPRIETARY TO MOLEX ELECTRONIC TECHNOLOGIES, LLC AND SHOULD NOT BE USED WITHOUT WRITTEN PERMISSION					
	2017/10/25	2017/10/27	DIMENSION UNITS	SCALE		
▽ = 0	SEE ECM	EC NO: 116458 DRWN: LIMEIER CHKD: AROBERTSON REV / APPR:	GENERAL TOLERANCES (UNLESS SPECIFIED)			
▽ = 0			mm	NTS		
▽ = 0			MM	INCH	DRWN BY	DATE
▽ = 0			4 PLACES ±	±	JLEE02	2012/10/24
▽ = 0			3 PLACES ±	± 0.01	CHK'D BY	DATE
▽ = 0			2 PLACES ±	± 0.25	SSS	2012/10/24
▽ = 0	1 PLACES ±	±	APPR BY	DATE		
▽ = 0	0 PLACES ±	±	JWIENER	2013/07/01		
□ = 0	ANGULAR TOL = 2.0		DRAWING SIZE	THIRD ANGLE PROJECTION		
■ = 0	DRAFT WHERE APPLICABLE MUST REMAIN WITHIN DIMENSIONS		C			
▽ = 0	B	REV / APPR:				



1.85MM JACK PCB
FIELD REPLACEABLE 50 OHM EWR-5044,
1.85MM-JR/PCB

PRODUCT CUSTOMER DRAWING

SERIES	MATERIAL NUMBER	CUSTOMER
73157	SEE TABLE	
DOCUMENT NUMBER	DOC TYPE	DOC PART
SD-73157-000	PSD	001
SHEET NUMBER		
1 OF 1		

X-ON Electronics

Largest Supplier of Electrical and Electronic Components

Click to view similar products for [RF Connectors / Coaxial Connectors](#) category:

Click to view products by [Molex](#) manufacturer:

Other Similar products are found below :

[8915-1511-000](#) [89674-0827](#) [6001-7071-019](#) [6002-7051-003](#) [6002-7551-202](#) [6059674-1](#) [619550-1](#) [630059-000](#) [M39030/3-01N](#) [6500-7071-046](#) [6769](#) [CX050L2AQ](#) [7002-1542-011](#) [7004-1512-000](#) [7009-1511-004](#) [7010-1511-000](#) [7029-1511-060](#) [7101-1541-010](#) [7101-1571-002](#) [7105-1521-002](#) [7145-1521-002](#) [7203-1571-003](#) [7209-1511-011](#) [7210-1511-015](#) [7210-1511-019](#) [73137-5015](#) [73216-2241](#) [73404-2300](#) [7405-1521-005](#) [7405-1521-802](#) [8527](#) [8547](#) [FS11V](#) [8808-1511-001](#) [9049-9513-000](#) [9074-9513-000](#) [9101-9573-002](#) [910A205F](#) [9130-9573-002](#) [PL11SC-026](#) [PL375-33](#) [PL40-5](#) [PL74C-221](#) [PL75MC-217](#) [PL803-7](#) [980-8666-005](#) [1200690078](#) [1-201144-1](#) [R107003010W](#) [R110A172100](#)