

**PLEASE CHECK WWW.MOLEX.COM FOR LATEST PART INFORMATION**

**Part Number:** [0731714360](#)

**Status:** **Active**

**Overview:** [BNC Miniature RF Connectors and Cable Assemblies](#)

**Description:** BNC 50 Ohm, Right-Angle, PCB Bulkhead Jack Receptacle, Die Cast Zinc Alloy Body, Nickel Plated, One Piece per Bag

**Documents:**

[Drawing \(PDF\)](#)

[RoHS Certificate of Compliance \(PDF\)](#)

**General**

Product Family	RF/Coax Connectors
Series	<a href="#">73171</a>
Overview	<a href="#">BNC Miniature RF Connectors and Cable Assemblies</a>
Product Name	BNC
Style	PCB
Type	Miniature
UPC	884982944367
Wire/Cable Type	N/A

**Physical**

Cable Attachment	N/A
Gender	Jack
Keying to Mating Part	None
Orientation	Right Angle
PCB Mounting	Through Hole
PCB Thickness - Recommended	3.20mm
Packaging Type	Bag
Panel Mount	Yes
Panel Mount Method	Bulkhead

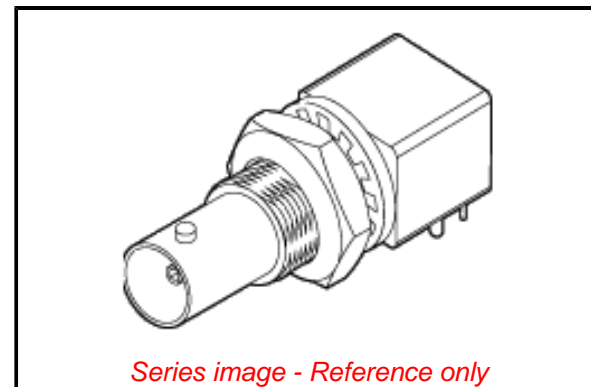
**Electrical**

Frequency	2 GHz
Impedance	50Ω
Power / Voltage	VOLTAGE: 500 Vrms@Sea Level

**Material Info**

**Reference - Drawing Numbers**

Sales Drawing	SD-73138-5033
---------------	---------------



*Series image - Reference only*

**EU ELV**

**Not Reviewed**

**EU RoHS**

**Not Reviewed**

**REACH SVHC**

Not Reviewed

**Halogen-Free**

**Status**

**Not Reviewed**

For more information, please visit [Contact US](#)

China ROHS

Not Reviewed

ELV

Not Reviewed

RoHS Phthalates

Not Reviewed

**Search Parts in this Series**

[73171 Series](#)

## X-ON Electronics

Largest Supplier of Electrical and Electronic Components

*Click to view similar products for [RF Connectors / Coaxial Connectors](#) category:*

*Click to view products by [Molex](#) manufacturer:*

Other Similar products are found below :

[8915-1511-000](#) [89674-0827](#) [6001-7071-019](#) [6002-7051-003](#) [6002-7551-202](#) [6059674-1](#) [619550-1](#) [630059-000](#) [M39030/3-01N](#) [6500-7071-046](#) [6769](#) [CX050L2AQ](#) [7002-1542-011](#) [7004-1512-000](#) [7009-1511-004](#) [7010-1511-000](#) [7029-1511-060](#) [7101-1541-010](#) [7101-1571-002](#) [7105-1521-002](#) [7145-1521-002](#) [7203-1571-003](#) [7209-1511-011](#) [7210-1511-015](#) [7210-1511-019](#) [73137-5015](#) [73216-2241](#) [73404-2300](#) [7405-1521-005](#) [7405-1521-802](#) [8527](#) [8547](#) [FS11V](#) [877931](#) [8808-1511-001](#) [9049-9513-000](#) [9074-9513-000](#) [9101-9573-002](#) [910A205F](#) [9130-9573-002](#) [PL11SC-026](#) [PL375-33](#) [PL40-5](#) [PL74C-221](#) [PL75MC-217](#) [PL803-7](#) [1200690078](#) [1-201144-1](#) [R107003010W](#) [R110A172100](#)