

MATERIALS AND FINISHES:

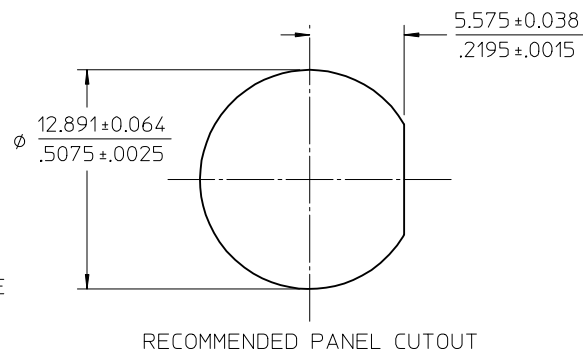
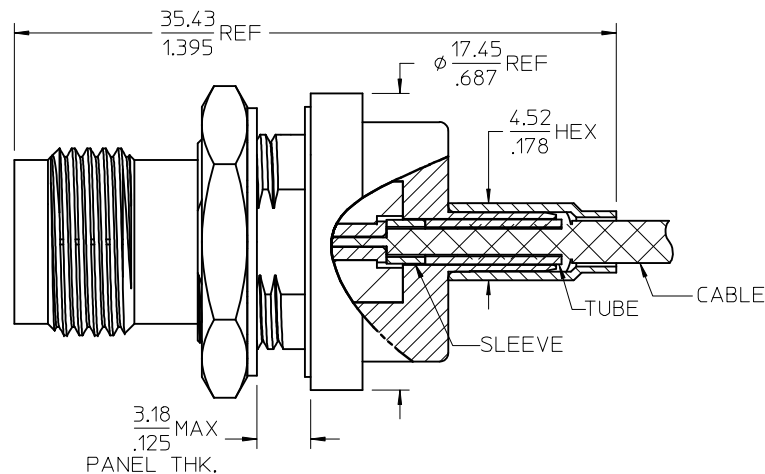
BODY, TUBE, CRIMP TUBE, JAMNUT BRASS  
PLATED NICKEL

CENTER CONTACT BERYLLIUM COPPER  
PLATED GOLD

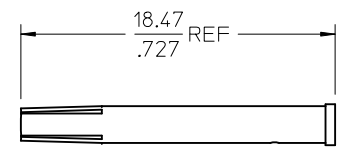
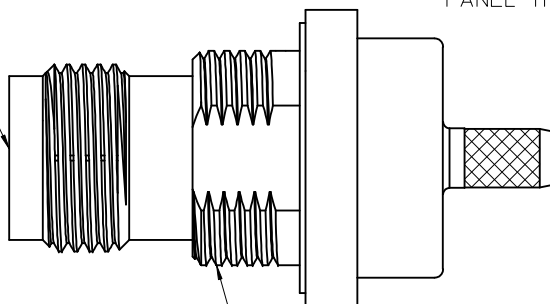
INSULATOR, SLEEVE TEFLON

LOCKWASHER PHOSPHOR BRONZE  
PLATED NICKEL

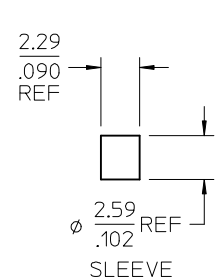
GASKET SILICONE RUBBER



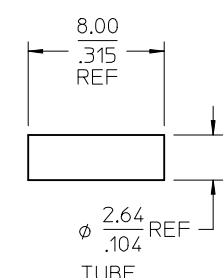
TNC JACK  
INTERFACE



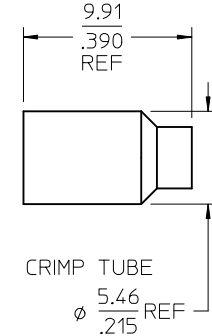
CONTACT



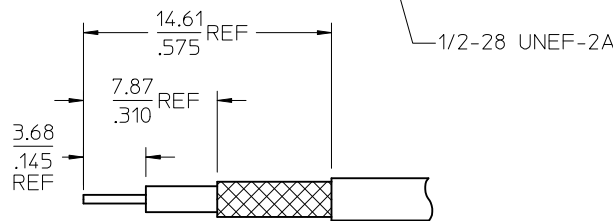
SLEEVE



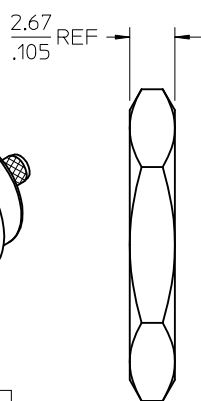
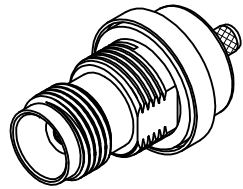
TUBE



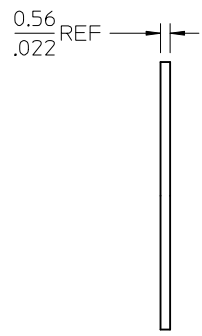
CRIMP TUBE



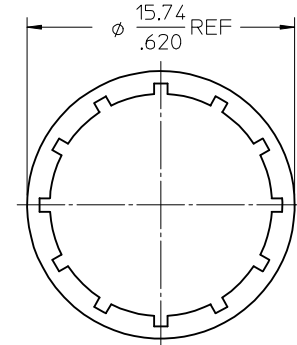
RECOMMENDED STRIPPING DIMENSION



JAMNUT



LOCKWASHER



MIL-STD-348A, FIG. 313.2	INTERFACE
SPECIFICATION	DESCRIPTION

73216-1331	ONE PER BAG
73216-1330	BULK
PART NO.	PACKAGING

CHG: UPDATE STRIP	QUALITY SYMBOLS
EC NO: URF2013-0644	▽=0
DRWN: WIENER 2013/05/16	▽=0
CHKD: SSS 2013/05/16	
APPR: WIENER 2013/05/21	
REV: A3	

GENERAL TOLERANCES (UNLESS SPECIFIED)
4 PLACES ± .005
3 PLACES ± .004
2 PLACES ± .003
1 PLACE ± .002
ANGULAR ± 2°
DRAFT WHERE APPLICABLE MUST REMAIN WITHIN DIMENSIONS

DIMENSION STYLE	SCALE
MM/IN	DESIGN UNITS METRIC
DRAWN BY DATE	THIRD ANGLE PROJECTION
SSS 2004/03/17	
CHECKED BY DATE	
TEF 2004/03/17	
APPROVED BY DATE	
GMH 2004/03/17	
MATERIAL NO.	DOCUMENT NO.
SEE TABLE	SD-73216-133
SIZE C	SHEET NO. 1 OF 1

TITLE
TNC JACK, BLKHD, RG316
50 OHMS, EWR-2370
TNC-JC/BLKD
MOLEX INCORPORATED
THIS DRAWING CONTAINS INFORMATION THAT IS PROPRIETARY TO MOLEX INCORPORATED AND SHOULD NOT BE USED WITHOUT WRITTEN PERMISSION

## X-ON Electronics

Largest Supplier of Electrical and Electronic Components

*Click to view similar products for [RF Connectors / Coaxial Connectors](#) category:*

*Click to view products by [Molex](#) manufacturer:*

Other Similar products are found below :

[8915-1511-000](#) [89674-0827](#) [6001-7071-019](#) [6002-7051-003](#) [6002-7551-202](#) [6059674-1](#) [619550-1](#) [630059-000](#) [M39030/3-01N](#) [6500-7071-046](#) [6769](#) [CX050L2AQ](#) [7002-1542-011](#) [7004-1512-000](#) [7009-1511-004](#) [7010-1511-000](#) [7029-1511-060](#) [7101-1541-010](#) [7101-1571-002](#) [7105-1521-002](#) [7145-1521-002](#) [7203-1571-003](#) [7209-1511-011](#) [7210-1511-015](#) [7210-1511-019](#) [73137-5015](#) [73216-2241](#) [73404-2300](#) [7405-1521-005](#) [7405-1521-802](#) [8527](#) [8547](#) [FS11V](#) [8808-1511-001](#) [9049-9513-000](#) [9074-9513-000](#) [9101-9573-002](#) [910A205F](#) [9130-9573-002](#) [PL11SC-026](#) [PL375-33](#) [PL40-5](#) [PL74C-221](#) [PL75MC-217](#) [PL803-7](#) [980-8666-005](#) [1200690078](#) [1-201144-1](#) [R107003010W](#) [R110A172100](#)