

MATERIALS AND FINISHES

BODY, JAM NUT, CRIMP TUBE: BRASS
PLATED NICKEL

CENTER CONTACT BERYLLIUM COPPER
PLATED GOLD (SEE TABLE)

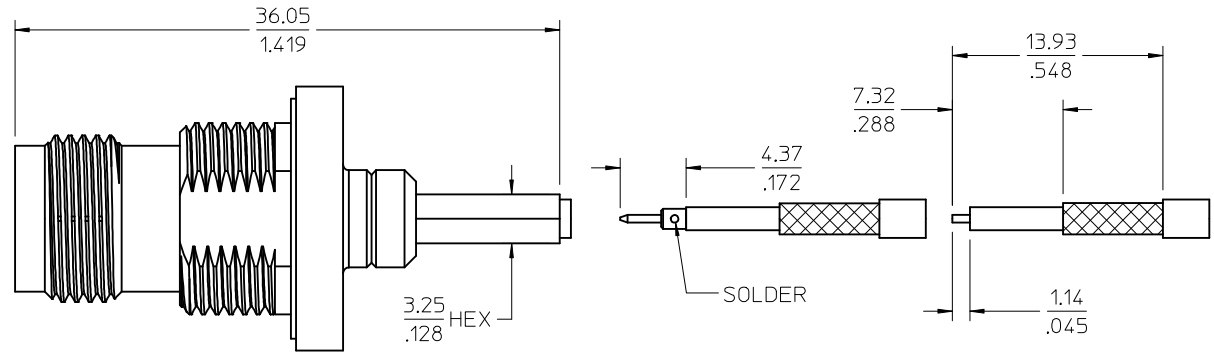
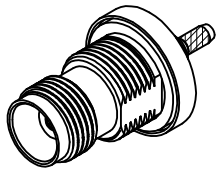
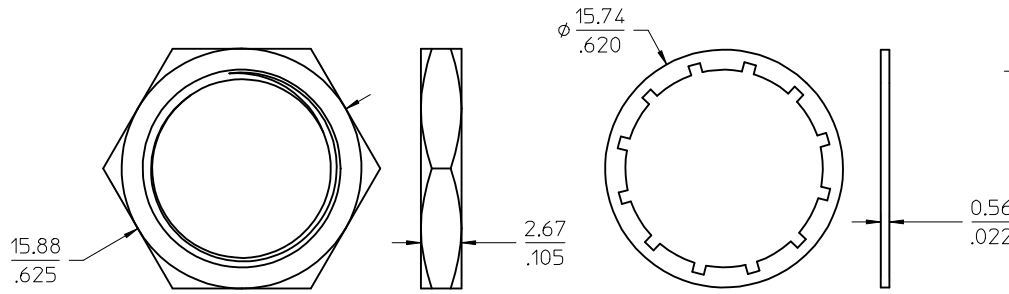
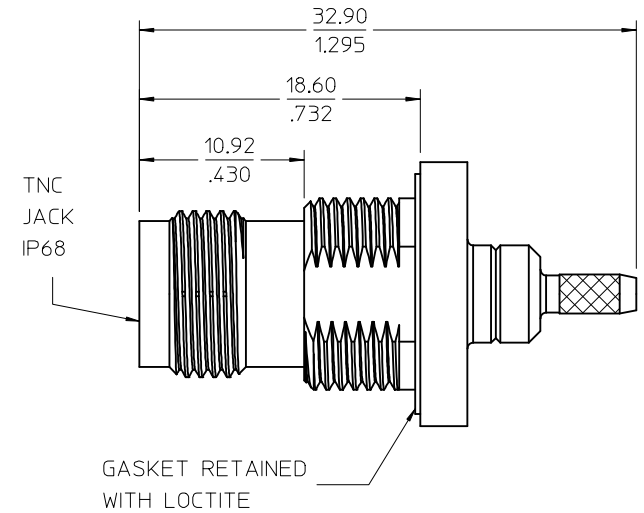
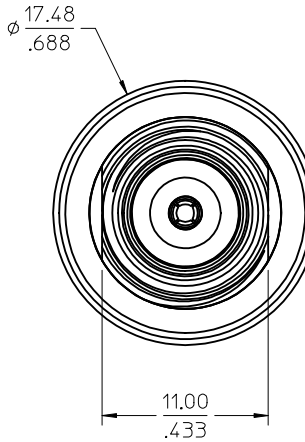
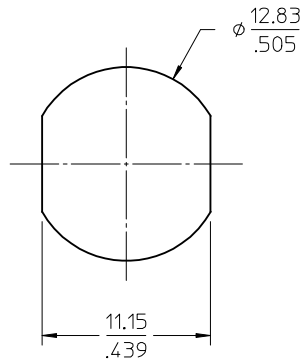
INSULATORS: TEFLON

CABLE CONTACT: BRASS
PLATED GOLD (SEE TABLE)

LOCK WASHER: PHOSPHOR BRONZE
PLATED NICKEL

GASKET: SILICONE RUBBER

PANEL CUT-OUT
4.30/.169 MAX
THICKNESS



MIL-STD-348A, FIG. 313.2	INTERFACE
SPECIFICATION	DESCRIPTION

73216-2122	BULK	10u"
73216-2121	ONE PER BAG	30u"
73216-2120	BULK	30u"
PART NO.	PACKAGING	CONTACT
		PLATING

CHG: ADD -2122

EC NO: URF2014-0109
 2013/08/13
 DRWN: JWIENER
 2013/08/13
 CHKD: SSS
 2013/08/14
 APPR: JWIENER

DESCRIPTION
 B3
 REV

QUALITY SYMBOLS
 ▽=0
 ▽=0

GENERAL TOLERANCES (UNLESS SPECIFIED)

	mm	INCH
4 PLACES ±	---	---
3 PLACES ±	---	---
2 PLACES ±	---	---
1 PLACE ±	---	---

ANGULAR ± 2 °

DRAFT WHERE APPLICABLE
 MUST REMAIN
 WITHIN DIMENSIONS

DIMENSION STYLE
 MM/IN

DRAWN BY
 JDW

CHECKED BY
 SSS

APPROVED BY
 JWIENER

MATERIAL NO.
 SEE TABLE

DATE
 2009/02/24

DATE
 2009/02/24

DATE
 2010/04/22

SIZE
 C

SCALE

DESIGN UNITS
 METRIC

THIRD ANGLE PROJECTION

TITLE
 TNC JACK BULKHEAD
 IP68 RG-316 50 OHM
 TNC-JC, EWR-4001

MOLEX INCORPORATED

DOCUMENT NO.
 SD-73216-212

SHEET NO.
 1 OF 1

THIS DRAWING CONTAINS INFORMATION THAT IS PROPRIETARY TO MOLEX INCORPORATED AND SHOULD NOT BE USED WITHOUT WRITTEN PERMISSION

MATERIALS AND FINISHES

BODY, JAM NUT, CRIMP TUBE: BRASS
PLATED NICKEL

CENTER CONTACT BERYLLIUM COPPER
PLATED GOLD (SEE TABLE)

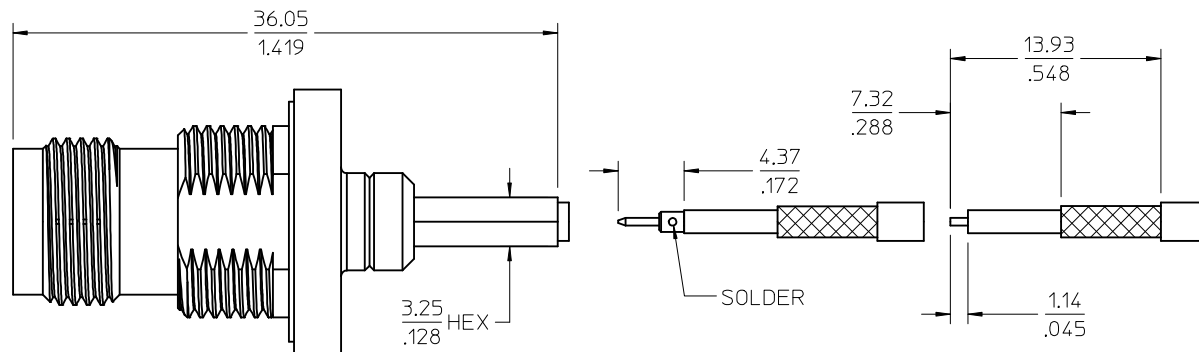
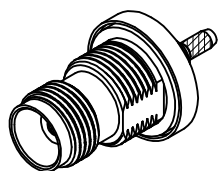
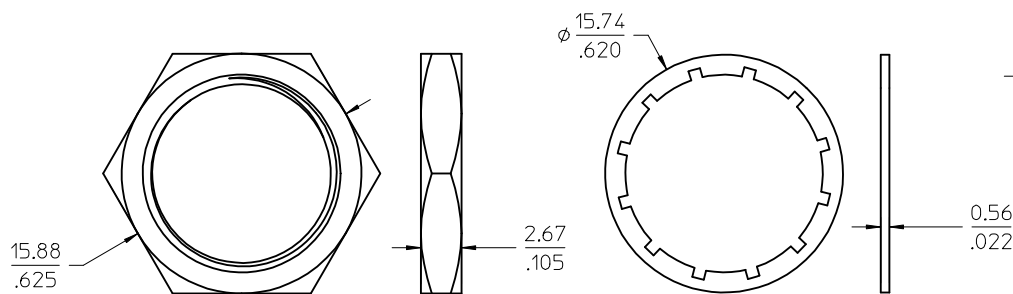
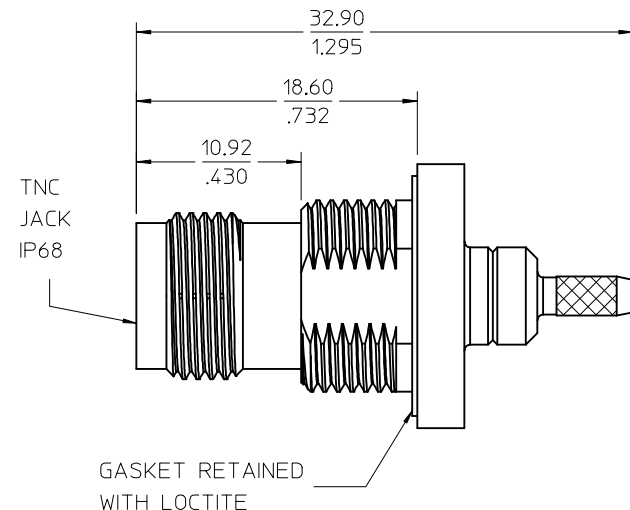
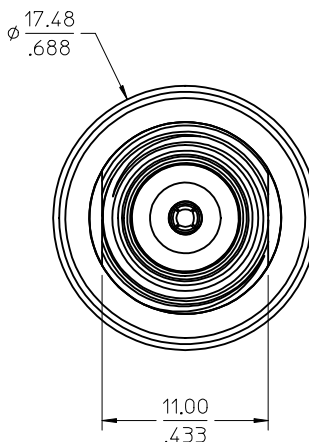
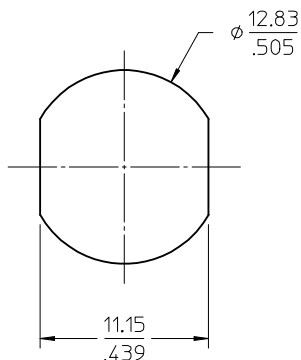
INSULATORS: TEFLON

CABLE CONTACT: BRASS
PLATED GOLD (SEE TABLE)

LOCK WASHER: PHOSPHOR BRONZE
PLATED NICKEL

GASKET: SILICONE RUBBER

PANEL CUT-OUT
4.30/.169 MAX
THICKNESS



MIL-STD-348A, FIG. 313.2	INTERFACE
SPECIFICATION	DESCRIPTION

REV	DESCRIPTION	DATE	BY	CHKD	APPD
B3	CHG: ADD -2122	2013/08/13	JWIENER	SSS	JWIENER
	EC NO: URF2014-0109	2013/08/13	JWIENER	SSS	JWIENER
	DRWN: JWIENER	2013/08/13	JWIENER	SSS	JWIENER
	CHKD: SSS	2013/08/13	JWIENER	SSS	JWIENER
	APPR: JWIENER	2013/08/14	JWIENER	SSS	JWIENER

QUALITY SYMBOLS	GENERAL TOLERANCES (UNLESS SPECIFIED)	DIMENSION STYLE	SCALE	DESIGN UNITS	THIRD ANGLE PROJECTION
▽=0 ▽=0	mm INCH	MM/IN		METRIC	
	4 PLACES ± --- ± ---	DRAWN BY	DATE	TITLE	
	3 PLACES ± --- ± ---	JDW	2009/02/24	TNC JACK BULKHEAD IP68 RG-316 50 OHM TNC-JC, EWR-4001	
	2 PLACES ± --- ± ---	CHECKED BY	DATE		
	1 PLACE ± --- ± ---	SSS	2009/02/24		
	ANGULAR ± 2 °	APPROVED BY	DATE		
		JWIENER	2010/04/22		
	DRAFT WHERE APPLICABLE MUST REMAIN WITHIN DIMENSIONS	MATERIAL NO.	DOCUMENT NO.		
		SEE TABLE	SD-73216-212		
		SIZE			
		C			

MOLEX INCORPORATED MOLEX INCORPORATED		SHEET NO. 1 OF 1
THIS DRAWING CONTAINS INFORMATION THAT IS PROPRIETARY TO MOLEX INCORPORATED AND SHOULD NOT BE USED WITHOUT WRITTEN PERMISSION		

X-ON Electronics

Largest Supplier of Electrical and Electronic Components

Click to view similar products for [RF Connectors / Coaxial Connectors](#) category:

Click to view products by [Molex](#) manufacturer:

Other Similar products are found below :

[8915-1511-000](#) [89674-0827](#) [6001-7071-019](#) [6002-7051-003](#) [6002-7551-202](#) [6059674-1](#) [619550-1](#) [630059-000](#) [M39030/3-01N](#) [6500-7071-046](#) [6769](#) [CX050L2AQ](#) [7002-1542-011](#) [7004-1512-000](#) [7009-1511-004](#) [7010-1511-000](#) [7029-1511-060](#) [7101-1541-010](#) [7101-1571-002](#) [7105-1521-002](#) [7145-1521-002](#) [7203-1571-003](#) [7209-1511-011](#) [7210-1511-015](#) [7210-1511-019](#) [73137-5015](#) [73216-2241](#) [73404-2300](#) [7405-1521-005](#) [7405-1521-802](#) [8527](#) [8547](#) [FS11V](#) [8808-1511-001](#) [9049-9513-000](#) [9074-9513-000](#) [9101-9573-002](#) [910A205F](#) [9130-9573-002](#) [PL11SC-026](#) [PL375-33](#) [PL40-5](#) [PL74C-221](#) [PL75MC-217](#) [PL803-7](#) [980-8666-005](#) [1200690078](#) [1-201144-1](#) [R107003010W](#) [R110A172100](#)