

MATERIALS AND FINISHES

BODY FRONT, CAP, JAM NUT: BRASS  
PLATED NICKEL

BODY REAR: BRASS  
PLATED TIN

CONTACT: BRASS  
PLATED GOLD

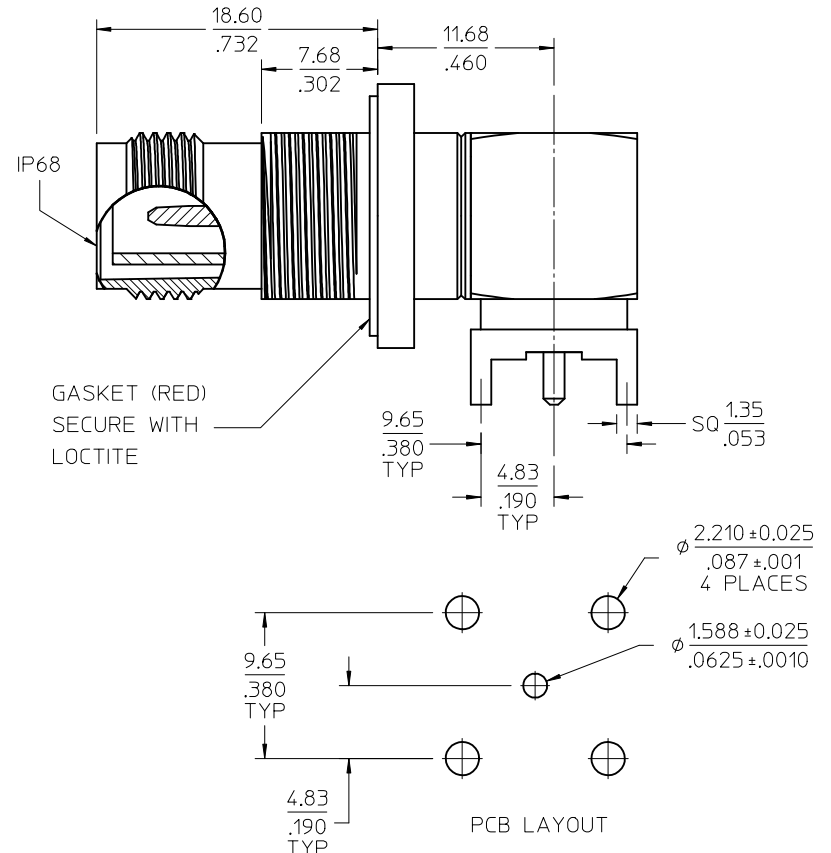
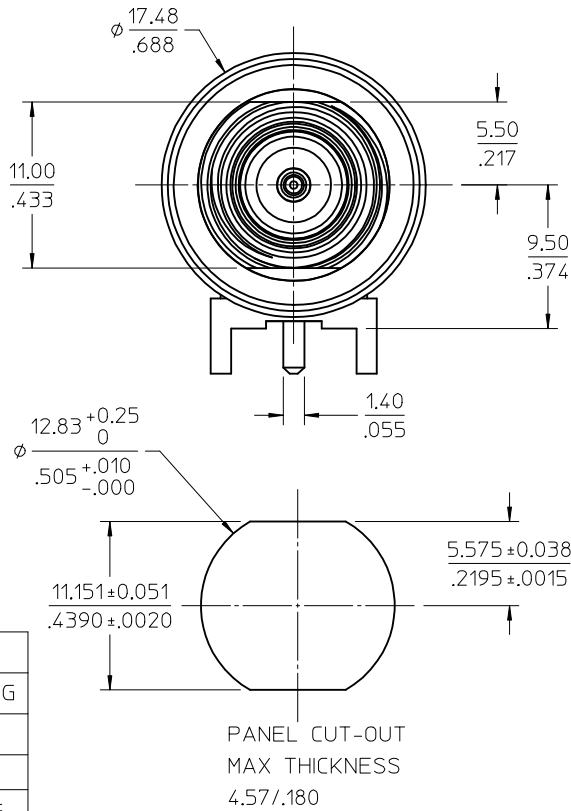
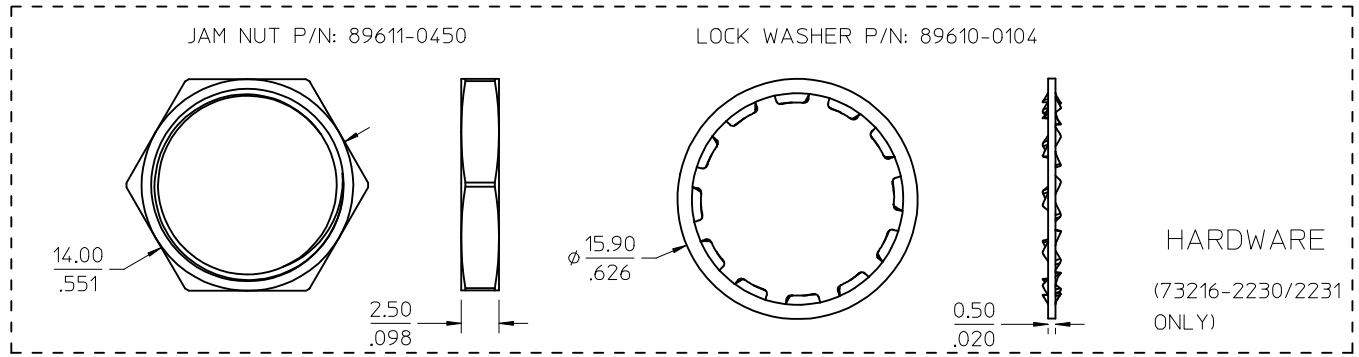
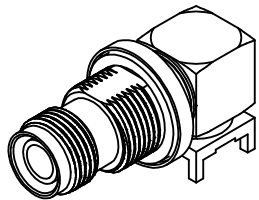
INSULATOR: TEFLON

GASKET: SILICONE RUBBER

LOCK WASHER: PHOSPHOR BRONZE  
PLATED NICKEL

ELECTRICAL PERFORMANCE:

1.30 VSWR MAX THROUGH 6 GHz  
0.25 dB MAX INSERTION LOSS THRU 6 GHz



73216-2232	TRAY	N/A
73216-2231	ONE PER BAG	LOOSE IN BAG
73216-2230	TRAY	BULK
PART NO.	PACKAGING	HARDWARE
		PACKAGING

B	CHG: ADDED -2232, ADDED PN FOR NUT & WASHER PER RF16-E096 EC NO: URF2016-0867 DRAWN: WE102 2016/06/24 CHKD: APPR: YCHENG 2016/07/04	QUALITY SYMBOLS	GENERAL TOLERANCES (UNLESS SPECIFIED)	DIMENSION STYLE	SCALE	DESIGN UNITS	THIRD ANGLE PROJECTION												
		$\nabla=0$ $\nabla=0$	<table border="1"> <tr> <th></th> <th>mm</th> <th>INCH</th> </tr> <tr> <td>4 PLACES</td> <td>± ---</td> <td>± ---</td> </tr> <tr> <td>3 PLACES</td> <td>± ---</td> <td>± ---</td> </tr> <tr> <td>2 PLACES</td> <td>± ---</td> <td>± ---</td> </tr> <tr> <td>1 PLACE</td> <td>± ---</td> <td>± ---</td> </tr> </table>		mm	INCH	4 PLACES	± ---	± ---	3 PLACES	± ---	± ---	2 PLACES	± ---	± ---	1 PLACE	± ---	± ---	MM/IN
	mm	INCH																	
4 PLACES	± ---	± ---																	
3 PLACES	± ---	± ---																	
2 PLACES	± ---	± ---																	
1 PLACE	± ---	± ---																	
A	B4	DRAFT WHERE APPLICABLE MUST REMAIN WITHIN DIMENSIONS	SEE TABLE	MATERIAL NO.	DOCUMENT NO.	TITLE TNC JACK REV POL RA BLKHD IP68 PCB TH TNC-J/PCB, EWR-4150 MOLEX INCORPORATED													
				SIZE			SHEET NO. 1 OF 1												

MATERIALS AND FINISHES

BODY FRONT, CAP, JAM NUT: BRASS  
PLATED NICKEL

BODY REAR: BRASS  
PLATED TIN

CONTACT: BRASS  
PLATED GOLD

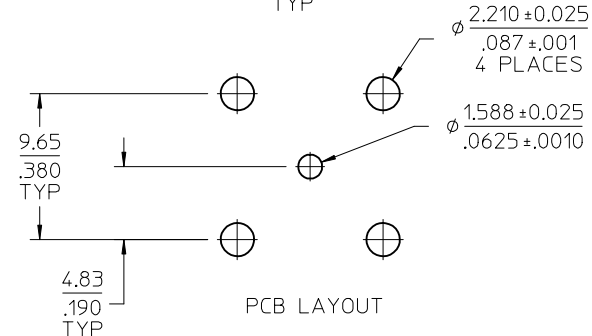
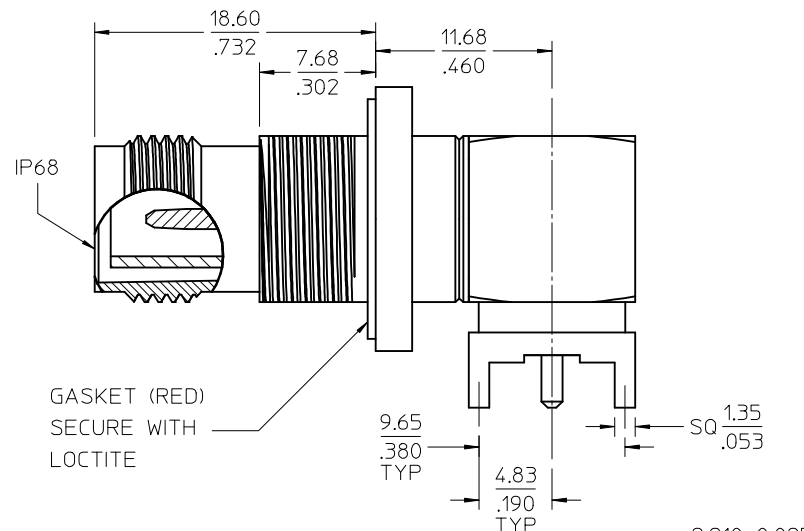
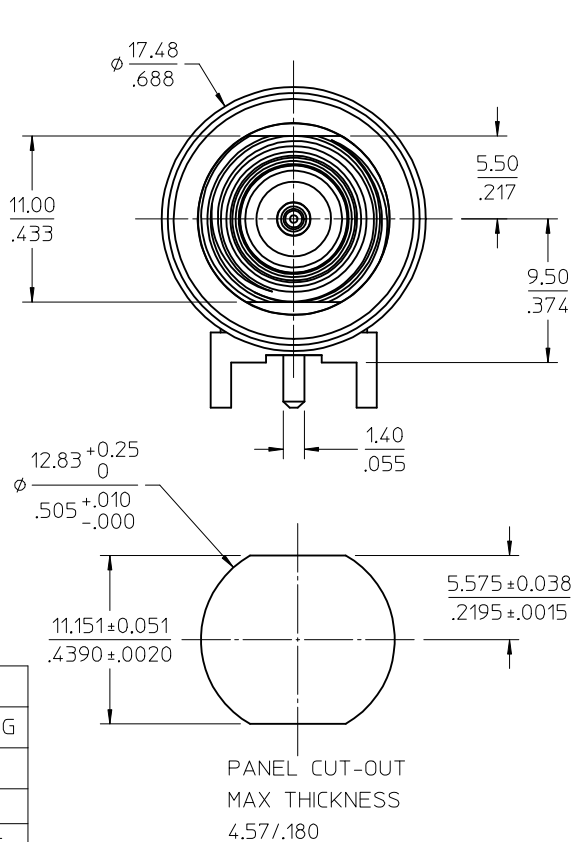
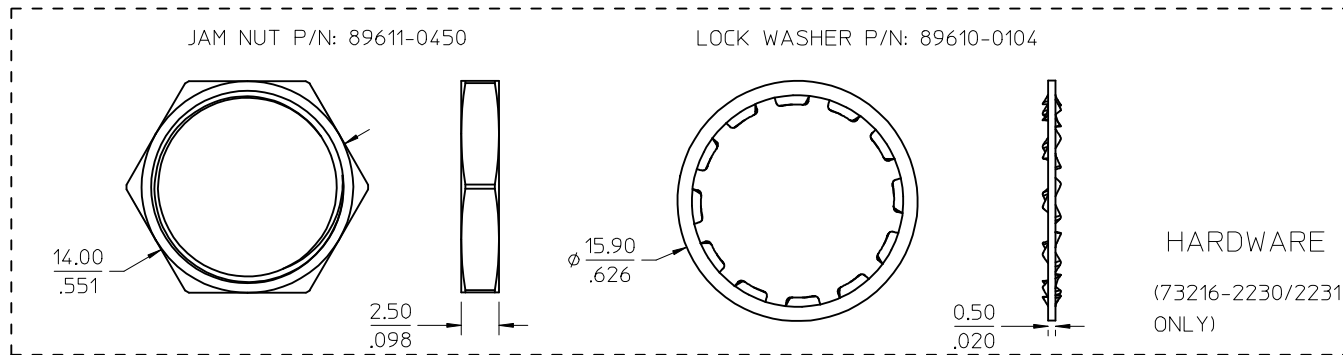
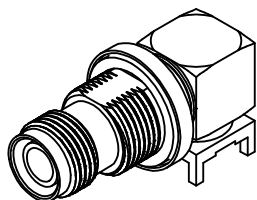
INSULATOR: TEFLON

GASKET: SILICONE RUBBER

LOCK WASHER: PHOSPHOR BRONZE  
PLATED NICKEL

ELECTRICAL PERFORMANCE:

1.30 VSWR MAX THROUGH 6 GHz  
0.25 dB MAX INSERTION LOSS THRU 6 GHz



73216-2232	TRAY	N/A
73216-2231	ONE PER BAG	LOOSE IN BAG
73216-2230	TRAY	BULK
PART NO.	PACKAGING	HARDWARE
		PACKAGING

B	CHG: ADDED -2232, ADDED PN FOR NUT & WASHER PER RF16-E096 EC NO: URF2016-0867 DRAWN: WE102 2016/06/24 CHKD: APPR: YCHENG 2016/07/04 REV: B4	QUALITY SYMBOLS	GENERAL TOLERANCES (UNLESS SPECIFIED)	DIMENSION STYLE	SCALE	DESIGN UNITS	THIRD ANGLE PROJECTION
		▼=0 ▽=0	mm INCH 4 PLACES ± --- ± --- 3 PLACES ± --- ± --- 2 PLACES ± --- ± --- 1 PLACE ± --- ± --- ANGULAR ± 2°	MM/IN	METRIC	DRAWN BY DATE AZR 2009/07/23 CHECKED BY DATE SSS 2009/07/23 APPROVED BY DATE JWIENER 2010/04/22	TITLE TNC JACK REV POL RA BLKHD IP68 PCB TH TNC-J/PCB, EWR-4150
A		DRAFT WHERE APPLICABLE MUST REMAIN WITHIN DIMENSIONS	SEE TABLE	MOLEX INCORPORATED DOCUMENT NO. SD-73216-223	SHEET NO. 1 OF 1		

## X-ON Electronics

Largest Supplier of Electrical and Electronic Components

*Click to view similar products for [RF Connectors / Coaxial Connectors](#) category:*

*Click to view products by [Molex](#) manufacturer:*

Other Similar products are found below :

[8915-1511-000](#) [89674-0827](#) [6001-7071-019](#) [6002-7051-003](#) [6002-7551-202](#) [6059674-1](#) [619550-1](#) [630059-000](#) [M39030/3-01N](#) [6500-7071-046](#) [6769](#) [CX050L2AQ](#) [7002-1542-011](#) [7004-1512-000](#) [7009-1511-004](#) [7010-1511-000](#) [7029-1511-060](#) [7101-1541-010](#) [7101-1571-002](#) [7105-1521-002](#) [7145-1521-002](#) [7203-1571-003](#) [7209-1511-011](#) [7210-1511-015](#) [7210-1511-019](#) [73137-5015](#) [73216-2241](#) [73404-2300](#) [7405-1521-005](#) [7405-1521-802](#) [8527](#) [8547](#) [FS11V](#) [8808-1511-001](#) [9049-9513-000](#) [9074-9513-000](#) [9101-9573-002](#) [910A205F](#) [9130-9573-002](#) [PL11SC-026](#) [PL375-33](#) [PL40-5](#) [PL74C-221](#) [PL75MC-217](#) [PL803-7](#) [980-8666-005](#) [1200690078](#) [1-201144-1](#) [R107003010W](#) [R110A172100](#)