

MATERIALS AND FINISHES:

BODY: ZINC ALLOY
PLATED NICKEL

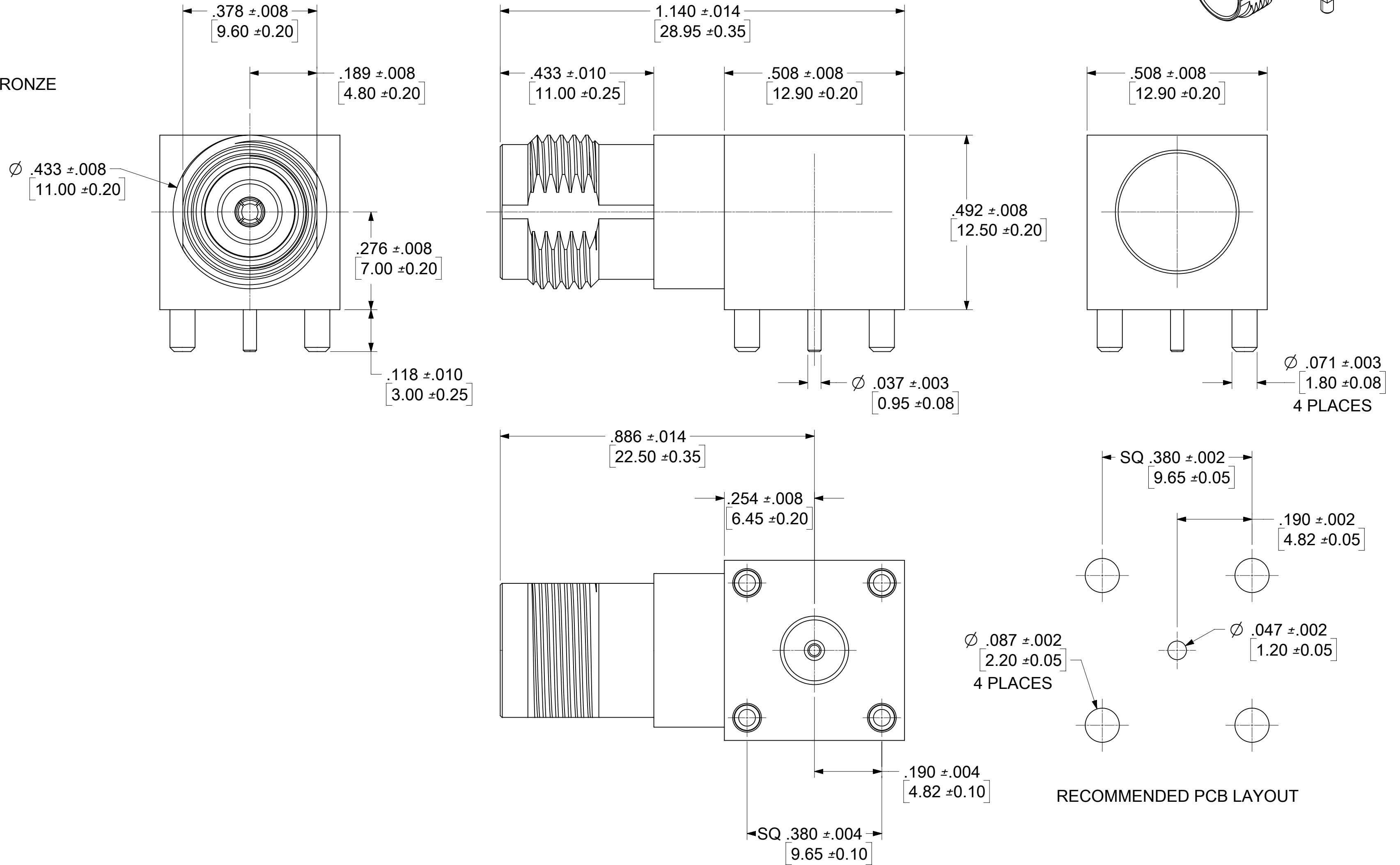
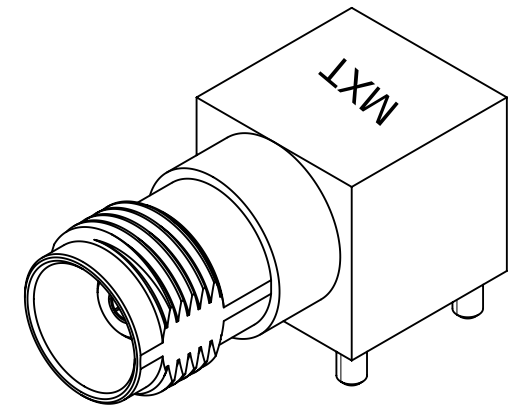
RING: BRASS
PLATED NICKEL

LEGS: BRASS
PLATED TIN

CONTACT FRONT: PHOSPHOR BRONZE
PLATED GOLD

CONTACT REAR: BRASS
PLATED GOLD

INSULATOR: TEFLON



73216-2710	73100-0135 ; ONE PER BAG WITH LABEL
73100-0135	TRAY
PART NO.	PACKAGING

PS-89675-1400	PRODUCT SPECIFICATION
MIL-STD-346A, FIG. 313.2	INTERFACE
SPECIFICATION	DESCRIPTION

REV	DATE	DESCRIPTION
A2	2020/4/23	ADD TOLERANCE PER EWR #13763-A

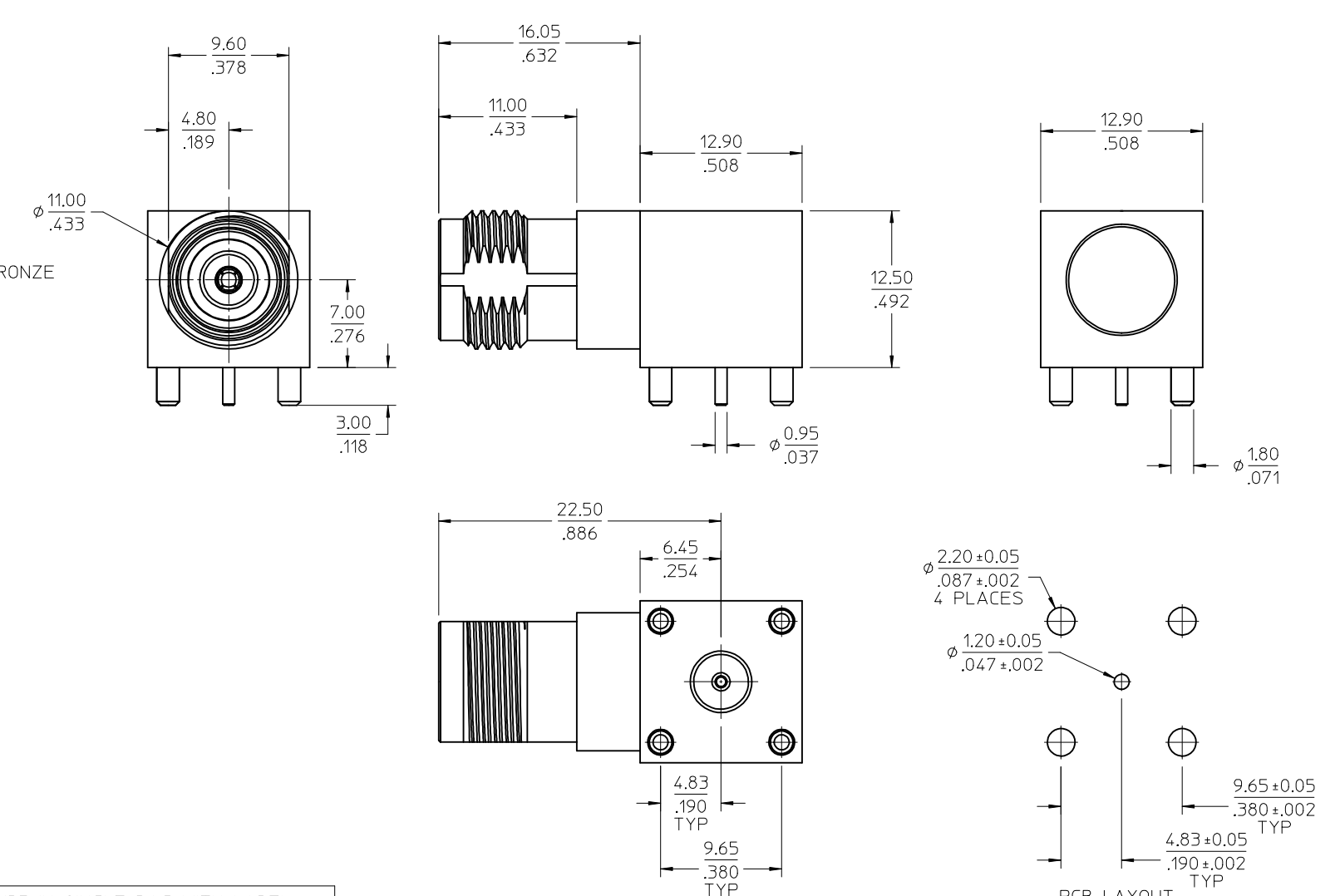
THIS DRAWING CONTAINS INFORMATION THAT IS PROPRIETARY TO MOLEX ELECTRONIC TECHNOLOGIES, LLC AND SHOULD NOT BE USED WITHOUT WRITTEN PERMISSION

DIMENSION UNITS INCH/MM	SCALE NTS	CURRENT REV DESC:	molex			
GENERAL TOLERANCES (UNLESS SPECIFIED)	ANGULAR TOL $\pm 2.0^\circ$	EC NO: 636691				
4 PLACES \pm	DRWN: RYEH	2020/04/23	TNC JACK RA PCB TH 50 OHM TNC-J/PCB			
3 PLACES \pm	CHK'D: YCHENG	2020/04/30				
2 PLACES \pm	APPR: YCHENG	2020/04/30	PRODUCT CUSTOMER DRAWING			
1 PLACE \pm	INITIAL REVISION:		DOCUMENT NUMBER	DOC TYPE	DOC PART	REVISION
0 PLACES \pm	DRWN: AROBERTSON	2011/03/31	SD-73100-0135	PSD	001	A3
DRAFT WHERE APPLICABLE MUST REMAIN WITHIN DIMENSIONS	THIRD ANGLE PROJECTION	DRAWING	MATERIAL NUMBER	CUSTOMER	SHEET NUMBER	
		C-SIZE	SEE TABLE	GENERAL MARKET	1 OF 1	
		SERIES				
		73100				

13 12 11 10 9 8 7 6 5 4 3 2 1

MATERIALS AND FINISHES

- BODY, CAP: ZINC ALLOY
PLATED NICKEL
- RING: BRASS
PLATED NICKEL
- LEGS: BRASS
PLATED TIN
- CONTACT FRONT: PHOSPHOR BRONZE
PLATED GOLD
- CONTACT REAR: BRASS
PLATED GOLD
- INSULATORS: TEFLON



73216-2710	1 PIECE 73100-0135 IN SINGLE BAG WITH LABEL
73100-0135	STANDARD
PART NO.	PACKAGING

<p>QUALITY SYMBOLS</p> <p>0</p> <p>0</p>	<p>GENERAL TOLERANCES (UNLESS SPECIFIED)</p> <table border="1"> <tr> <th></th> <th>mm</th> <th>INCH</th> </tr> <tr> <td>4 PLACES</td> <td>± .004</td> <td>± .0015</td> </tr> <tr> <td>3 PLACES</td> <td>± .005</td> <td>± .002</td> </tr> <tr> <td>2 PLACES</td> <td>± .007</td> <td>± .0025</td> </tr> <tr> <td>1 PLACE</td> <td>± .010</td> <td>± .004</td> </tr> </table> <p>ANGULAR ± 2°</p>		mm	INCH	4 PLACES	± .004	± .0015	3 PLACES	± .005	± .002	2 PLACES	± .007	± .0025	1 PLACE	± .010	± .004	<p>DRAWN BY: AROBERTSON</p> <p>CHECKED BY: SSS</p> <p>APPROVED BY: JWIENER</p> <p>DATE: 2011/04/01</p>	<p>TITLE: TNC JACK RA PCB TH 50 OHM TNC-J/PCB, EWR-4676</p> <p>MOLEX INCORPORATED</p>
			mm	INCH														
4 PLACES	± .004	± .0015																
3 PLACES	± .005	± .002																
2 PLACES	± .007	± .0025																
1 PLACE	± .010	± .004																
<p>DRAFT WHERE APPLICABLE MUST REMAIN WITHIN DIMENSIONS</p>	<p>SEE TABLE</p>	<p>DOCUMENT NO. SD-73216-271</p>	<p>SHEET NO. 1 OF 1</p>															

12 11 10 9 8 7 6 5 4 3 2 1

X-ON Electronics

Largest Supplier of Electrical and Electronic Components

Click to view similar products for [RF Connectors / Coaxial Connectors](#) category:

Click to view products by [Molex](#) manufacturer:

Other Similar products are found below :

[8915-1511-000](#) [89674-0827](#) [6001-7071-019](#) [6002-7051-003](#) [6002-7551-202](#) [6059674-1](#) [619550-1](#) [630059-000](#) [M39030/3-01N](#) [6500-7071-046](#) [6769](#) [CX050L2AQ](#) [7002-1542-011](#) [7004-1512-000](#) [7009-1511-004](#) [7010-1511-000](#) [7029-1511-060](#) [7101-1541-010](#) [7101-1571-002](#) [7105-1521-002](#) [7145-1521-002](#) [7203-1571-003](#) [7209-1511-011](#) [7210-1511-015](#) [7210-1511-019](#) [73137-5015](#) [73216-2241](#) [73404-2300](#) [7405-1521-005](#) [7405-1521-802](#) [8527](#) [8547](#) [FS11V](#) [8808-1511-001](#) [9049-9513-000](#) [9074-9513-000](#) [9101-9573-002](#) [910A205F](#) [9130-9573-002](#) [PL11SC-026](#) [PL375-33](#) [PL40-5](#) [PL74C-221](#) [PL75MC-217](#) [PL803-7](#) [980-8666-005](#) [1200690078](#) [1-201144-1](#) [R107003010W](#) [R110A172100](#)