

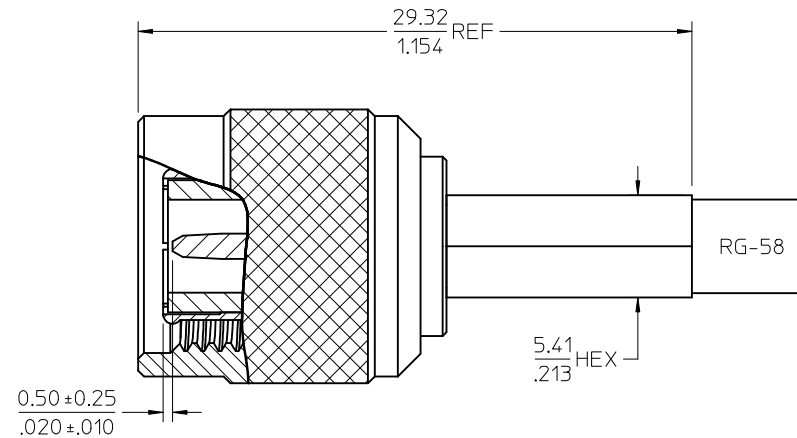
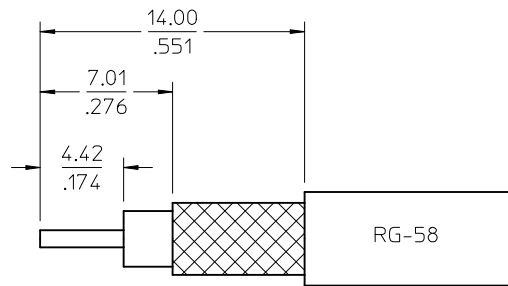
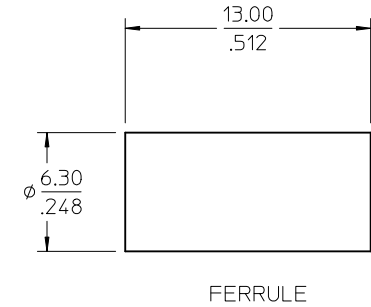
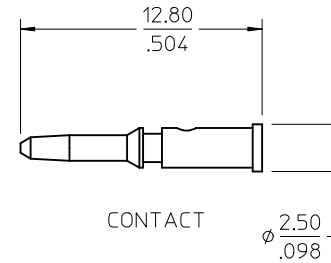
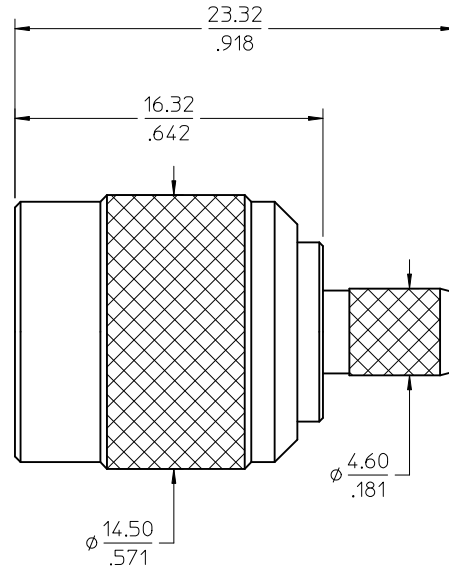
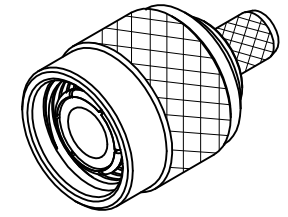
MATERIALS AND FINISHES :

COUPLING NUT, RETAINING RING,
SLEEVE, BODY, FERRULE: BRASS
PLATED NICKEL

INSULATOR POLYPROPYLENE

GASKET SILICONE RUBBER

CENTER CONTACT BRASS
PLATED GOLD



RECOMMENDED CABLE STRIP

| | |
|------------|-------------|
| 73216-2870 | ONE PER BAG |
| 73219-0023 | BULK |
| PART NO. | PACKAGING |

ORIGINALLY DRAWN BY: KELLY 1992/06/20

| | | | | | | | | |
|--|---|-------------|-------------------------------|---|---------------------------|-------------------------------|---|------------------------|
| CHG: REDRAW IN SD | EC NO: 2012/02/01 DRWN: JWIENER CHKD: SSS APPR: 2012/02/01 | DESCRIPTION | QUALITY SYMBOLS ▽=0 ▽=0 | GENERAL TOLERANCES (UNLESS SPECIFIED) | DIMENSION STYLE MM/IN | SCALE METRIC | DESIGN UNITS METRIC | THIRD ANGLE PROJECTION |
| | | | | 4 PLACES ± --- ± --- 3 PLACES ± --- ± --- 2 PLACES ± --- ± --- 1 PLACE ± --- ± --- | DRAWN BY JWIENER | DATE 2012/02/01 | TITLE TNC PLUG, RG-58 50 OHM TNC-P/RG58 | |
| REV: C1 | | | | ANGULAR ± 2 ° | MATERIAL NO. SEE TABLE | DOCUMENT NO. SD-73219-0023 | SHEET NO. 1 OF 1 | |
| DRAFT WHERE APPLICABLE MUST REMAIN WITHIN DIMENSIONS | | | | THIS DRAWING CONTAINS INFORMATION THAT IS PROPRIETARY TO MOLEX INCORPORATED AND SHOULD NOT BE USED WITHOUT WRITTEN PERMISSION | | | | |

X-ON Electronics

Largest Supplier of Electrical and Electronic Components

Click to view similar products for [RF Connectors / Coaxial Connectors](#) category:

Click to view products by [Molex](#) manufacturer:

Other Similar products are found below :

[8915-1511-000](#) [89674-0827](#) [6001-7071-019](#) [6002-7051-003](#) [6002-7551-202](#) [6059674-1](#) [619550-1](#) [630059-000](#) [M39030/3-01N](#) [6500-7071-046](#) [6769](#) [CX050L2AQ](#) [7002-1542-011](#) [7004-1512-000](#) [7009-1511-004](#) [7010-1511-000](#) [7029-1511-060](#) [7101-1541-010](#) [7101-1571-002](#) [7105-1521-002](#) [7145-1521-002](#) [7203-1571-003](#) [7209-1511-011](#) [7210-1511-015](#) [7210-1511-019](#) [73137-5015](#) [73216-2241](#) [73404-2300](#) [7405-1521-005](#) [7405-1521-802](#) [8527](#) [8547](#) [FS11V](#) [8808-1511-001](#) [9049-9513-000](#) [9074-9513-000](#) [9101-9573-002](#) [910A205F](#) [9130-9573-002](#) [PL11SC-026](#) [PL375-33](#) [PL40-5](#) [PL74C-221](#) [PL75MC-217](#) [PL803-7](#) [980-8666-005](#) [1200690078](#) [1-201144-1](#) [R107003010W](#) [R110A172100](#)