

MATERIALS AND FINISHES

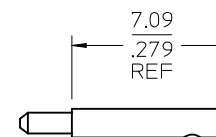
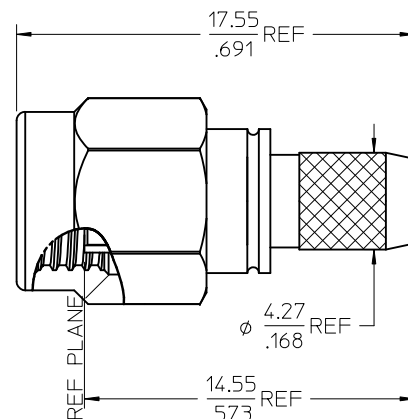
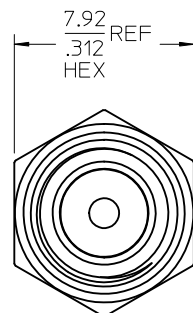
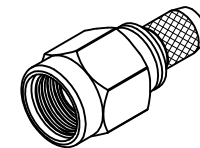
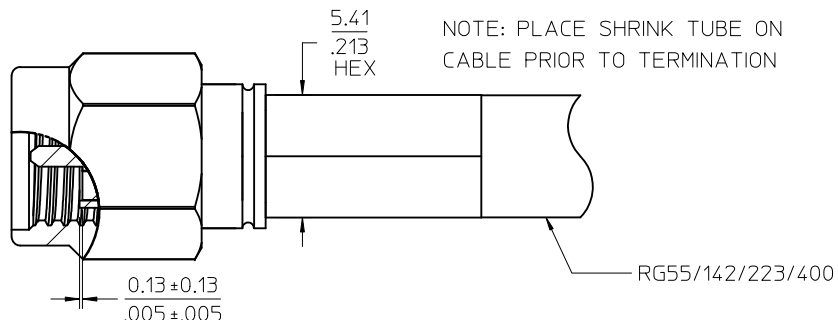
BODY AND COUPLING NUT STAINLESS STEEL
PASSIVATED

CENTER CONTACT BRASS
PLATED GOLD

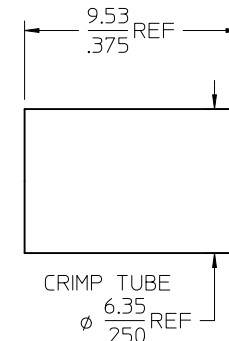
INSULATOR TEFLON

CRIMP TUBE BRASS
PLATED NICKEL

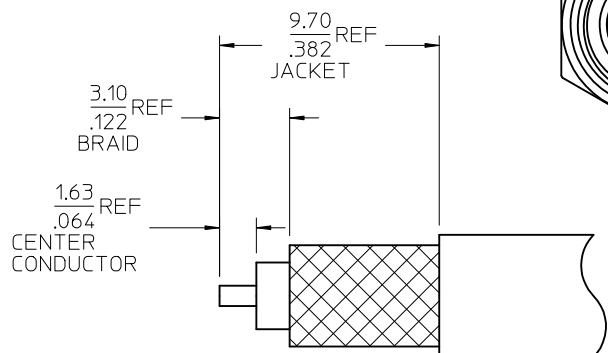
SHRINK TUBE VERSIFIT OR EQUIVALENT



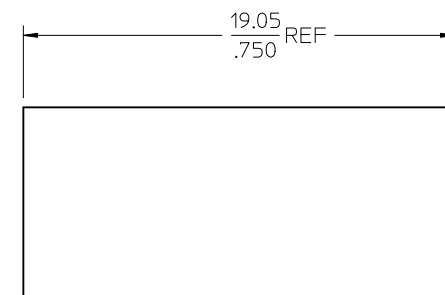
CONTACT



CRIMP TUBE
Ø 6.35 REF
.250



RECOMMENDED STRIP DIMENSIONS



SHRINK TUBE

LABEL FORMAT FOR
73251-0112

PART NUMBER: 73251-0111
ORDER NUMBER: 73251-0112
MOLEX
DATE: YYWW

73251-0112	ONE PIECE 73251-0111 PER BAG
73251-0111	BULK
PART NO.	PACKAGING

ES-89675-1570	CABLE ASSY INSTRUCT.
MIL-STD-348A, FIG. 310.1	INTERFACE
SPECIFICATION	DESCRIPTION

CHG: UPDATE LABEL FOR -0112 EC NO: URF2012-0380 DRW: BOMALLEY 2012/01/04 CHK: AZR 2012/01/04 APPR: WIENER 2012/01/04	QUALITY SYMBOLS ▽=0 ▽=0	GENERAL TOLERANCES (UNLESS SPECIFIED) mm INCH 4 PLACES ± --- ± --- 3 PLACES ± --- ± --- 2 PLACES ± --- ± --- 1 PLACE ± --- ± --- ANGULAR ± 2 °	DIMENSION STYLE MM/IN	SCALE DESIGN UNITS METRIC	THIRD ANGLE PROJECTION	DRAWN BY GMH DATE 1997/11/07	CHECKED BY DHG DATE 1998/01/05	APPROVED BY GMH DATE 1997/01/06	TITLE SMA PLUG, STR, CRIMP TYPE FOR RG55/142/223/400 SMA-PC	MATERIAL NO. SEE TABLE	DOCUMENT NO. SD-73251-011	SHEET NO. 1 OF 1

X-ON Electronics

Largest Supplier of Electrical and Electronic Components

Click to view similar products for [RF Connectors / Coaxial Connectors](#) category:

Click to view products by [Molex](#) manufacturer:

Other Similar products are found below :

[8915-1511-000](#) [89674-0827](#) [6001-7071-019](#) [6002-7051-003](#) [6002-7551-202](#) [6059674-1](#) [619550-1](#) [630059-000](#) [M39030/3-01N](#) [6500-7071-046](#) [6769](#) [CX050L2AQ](#) [7002-1542-011](#) [7004-1512-000](#) [7009-1511-004](#) [7010-1511-000](#) [7029-1511-060](#) [7101-1541-010](#) [7101-1571-002](#) [7105-1521-002](#) [7145-1521-002](#) [7203-1571-003](#) [7209-1511-011](#) [7210-1511-015](#) [7210-1511-019](#) [73137-5015](#) [73216-2241](#) [73404-2300](#) [7405-1521-005](#) [7405-1521-802](#) [8527](#) [8547](#) [FS11V](#) [8808-1511-001](#) [9049-9513-000](#) [9074-9513-000](#) [9101-9573-002](#) [910A205F](#) [9130-9573-002](#) [PL11SC-026](#) [PL375-33](#) [PL40-5](#) [PL74C-221](#) [PL75MC-217](#) [PL803-7](#) [980-8666-005](#) [1200690078](#) [1-201144-1](#) [R107003010W](#) [R110A172100](#)