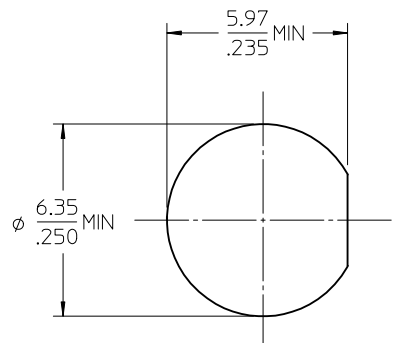
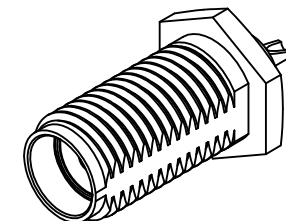


MATERIALS AND FINISHES:

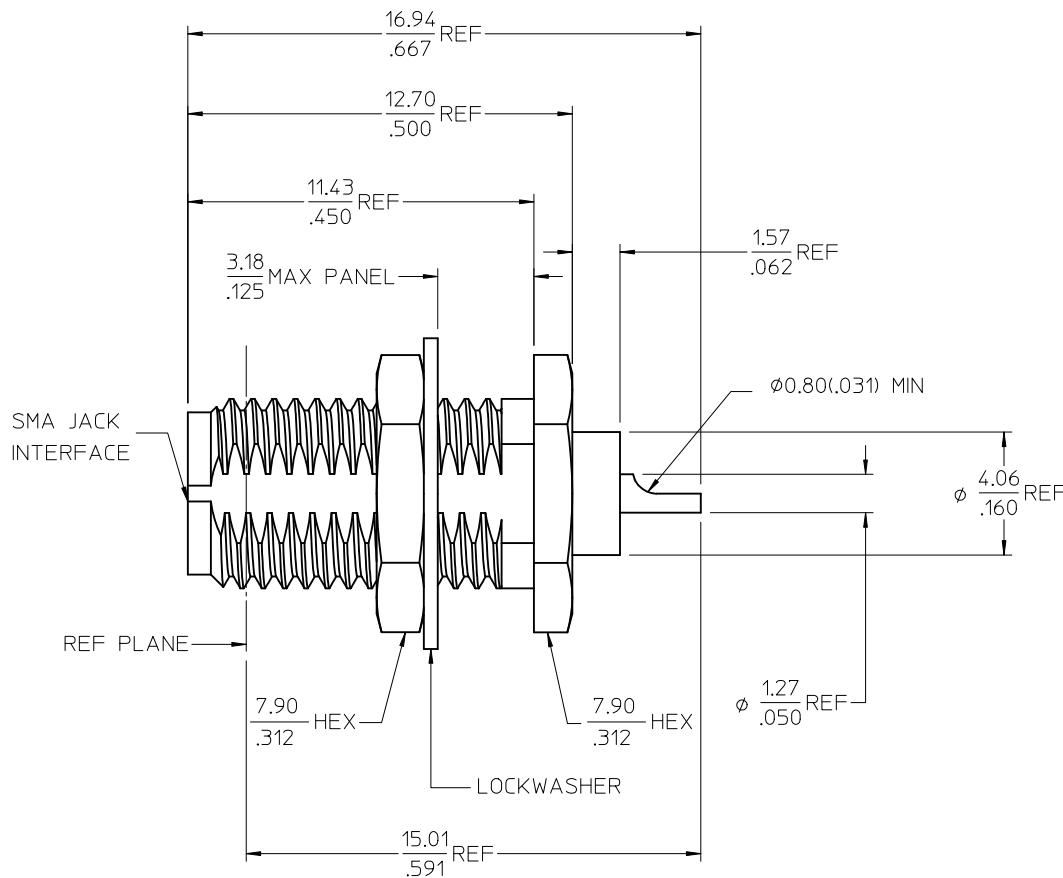
BODY, NUT, WASHER STAINLESS STEEL
SEE TABLE

CENTER CONTACT BERYLLIUM COPPER
PLATED GOLD

INSULATOR TEFLON



RECOMMENDED MOUNTING HOLE



| | |
|------------|------------------------------|
| 73251-0242 | ONE PIECE 73251-0240 PER BAG |
| 73251-0241 | GOLD/BULK |
| 73251-0240 | PASSIVATE/BULK |
| PART NO. | PLATING/PACKAGING |

| | |
|--------------------------|----------------------|
| PS-89675-2820 | ELECTRO/MECH PERFORM |
| MIL-STD-348A, FIG. 310.2 | INTERFACE |
| SPECIFICATION | DESCRIPTION |

| | | | | | | | | | | | | | | | | | | | | |
|---|-------------------------------|---|---------------------|---|------------------------------|----------|--------|---------|----------|--------|---------|----------|--------|---------|---------|--------|---------|--------------------------|---------------------------------|------------------------|
| CHG: CLARIFIED BAGGING. EC NO: URF2010-0369 DRWIN:ROBERTSON 2009/12/18 CHKD:SSS 2009/12/18 APPR:JWIENER 2009/12/18 A4 | QUALITY SYMBOLS ▼=0 ▽=0 | GENERAL TOLERANCES (UNLESS SPECIFIED) <table border="1"> <tr> <td></td> <td>mm</td> <td>INCH</td> </tr> <tr> <td>4 PLACES</td> <td>± .005</td> <td>± .0005</td> </tr> <tr> <td>3 PLACES</td> <td>± .005</td> <td>± .0005</td> </tr> <tr> <td>2 PLACES</td> <td>± .005</td> <td>± .0005</td> </tr> <tr> <td>1 PLACE</td> <td>± .005</td> <td>± .0005</td> </tr> </table> ANGULAR ± 2° | | mm | INCH | 4 PLACES | ± .005 | ± .0005 | 3 PLACES | ± .005 | ± .0005 | 2 PLACES | ± .005 | ± .0005 | 1 PLACE | ± .005 | ± .0005 | DIMENSION STYLE MM/IN | SCALE DESIGN UNITS METRIC | THIRD ANGLE PROJECTION |
| | | | | mm | INCH | | | | | | | | | | | | | | | |
| 4 PLACES | ± .005 | ± .0005 | | | | | | | | | | | | | | | | | | |
| 3 PLACES | ± .005 | ± .0005 | | | | | | | | | | | | | | | | | | |
| 2 PLACES | ± .005 | ± .0005 | | | | | | | | | | | | | | | | | | |
| 1 PLACE | ± .005 | ± .0005 | | | | | | | | | | | | | | | | | | |
| DRAWN BY EDC | DATE 2009/12/18 | TITLE SMA JACK, RECT, BLKHD 50 OHMS, SOLDER POT SMA-J/BK | MOLEX INCORPORATED | MATERIAL NO. SEE TABLE | DOCUMENT NO. SD-73251-024 | | | | | | | | | | | | | | | |
| DRAFT WHERE APPLICABLE MUST REMAIN WITHIN DIMENSIONS | | APPROVED BY DATE | SHEET NO. 1 OF 1 | THIS DRAWING CONTAINS INFORMATION THAT IS PROPRIETARY TO MOLEX INCORPORATED AND SHOULD NOT BE USED WITHOUT WRITTEN PERMISSION | | | | | | | | | | | | | | | | |

X-ON Electronics

Largest Supplier of Electrical and Electronic Components

Click to view similar products for [RF Connectors / Coaxial Connectors](#) category:

Click to view products by [Molex](#) manufacturer:

Other Similar products are found below :

[R125315120](#) [8915-1511-000](#) [89674-0827](#) [5916-1103-603](#) [0106-001-000](#) [6-0001-3](#) [6001-7071-019](#) [6002-7051-003](#) [6002-7551-202](#) [6059674-1](#) [619550-1](#) [630059-000](#) [M39012/25-0021](#) [M39012/79-3008](#) [M39030/3-01N](#) [M39030/3-03N](#) [M3933/25-36N](#) [6500-7071-046](#) [6501-1071-002](#) [M83723/72W2457N](#) [6769](#) [CX050L2AQ](#) [7002-1541-010](#) [7002-1572-002](#) [7003-1572-002](#) [7004-1512-000](#) [7009-1511-004](#) [7010-1511-000](#) [7029-1511-060](#) [7101-1541-010](#) [7101-1571-002](#) [7105-1521-002](#) [7145-1521-002](#) [7209-1511-011](#) [7210-1511-012](#) [7210-1511-015](#) [7210-1511-019](#) [7210-1511-040](#) [7225-1512-050](#) [7242-1511-000](#) [73137-5015](#) [73251-0111](#) [73251-0672](#) [73276-1501](#) [73366-0013](#) [73404-2300](#) [73413-6080](#) [73415-5721](#) [7405-1521-005](#) [7405-1521-802](#)