

MATERIALS AND FINISHES

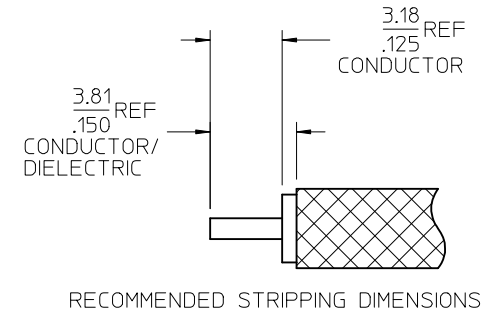
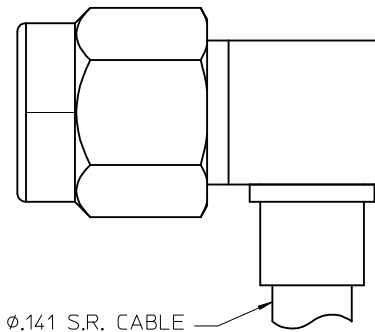
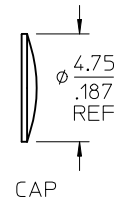
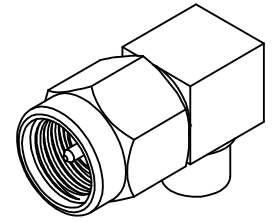
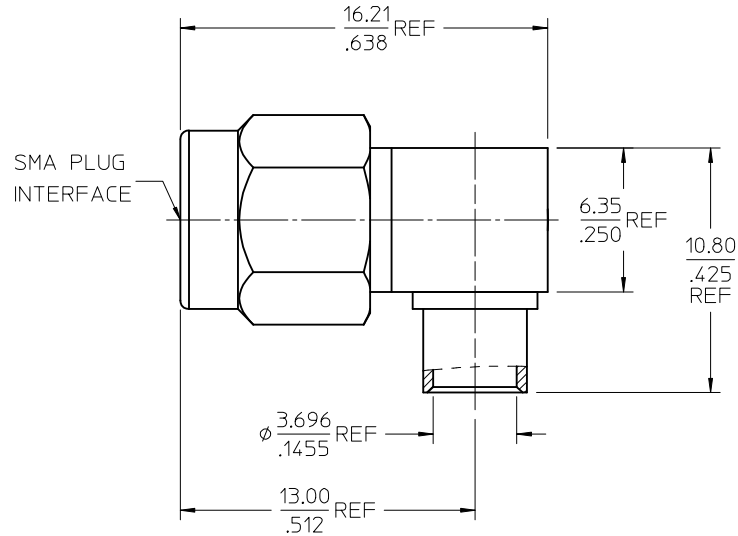
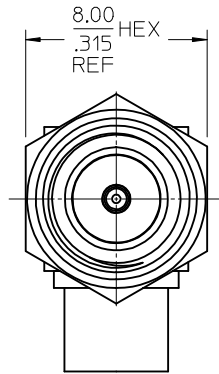
BODY, CAP, COUPLING NUT: BRASS  
FINISH: SEE TABLE

CENTER CONTACT: BERYLLIUM COPPER  
FINISH: GOLD

INSULATOR: TEFLON

RETAINING RING: BERYLLIUM COPPER

GASKET: SILICONE RUBBER



73251-0553	GOLD	NICKEL	NICKEL	TRAY
73251-0552	GOLD	GOLD	GOLD	-0551 ONE PER BAG
73251-0551	GOLD	GOLD	GOLD	TRAY
73251-0550	NICKEL	NICKEL	NICKEL	TRAY
PART NO.	BODY	CAP	COUPLING NUT	PACKAGING

CHG:ADDED -0553 PER PDR15072025 IEC NO: URF2016-0113 DRW:RYEH 2015/08/13 CHKD: APPR:YCHENG 2015/08/21	QUALITY SYMBOLS	GENERAL TOLERANCES (UNLESS SPECIFIED)	DIMENSION STYLE	SCALE	DESIGN UNITS	THIRD ANGLE PROJECTION
	▽=0	mm INCH	MM/IN	6:1	METRIC	
	▽=0	4 PLACES ± --- ± ---	DRAWN BY DATE	TITLE	SMA PLUG,R/A FOR .141 SR CABLE, 50 OHMS	
	▽=0	3 PLACES ± --- ± ---	CHECKED BY DATE	SMA-PC/RA, EWR-3594		molex
		2 PLACES ± --- ± ---	APPROVED BY DATE	DOCUMENT NO.		SHEET NO.
		1 PLACE ± --- ± ---	GMH 2000/05/24	SD-73251-055		1 OF 1
		0 PLACE ± ±	MATERIAL NO.	THIS DRAWING CONTAINS INFORMATION THAT IS PROPRIETARY TO MOLEX INCORPORATED AND SHOULD NOT BE USED WITHOUT WRITTEN PERMISSION		
		ANGULAR ± 2 °	SEE TABLE			
		DRAFT WHERE APPLICABLE MUST REMAIN WITHIN DIMENSIONS	SIZE			

MATERIALS AND FINISHES

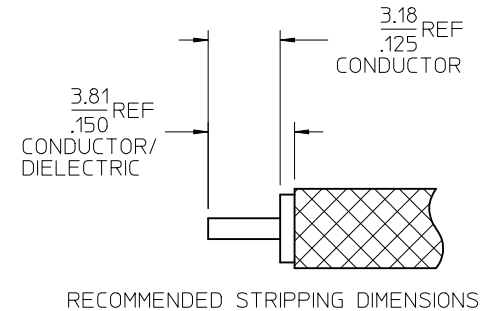
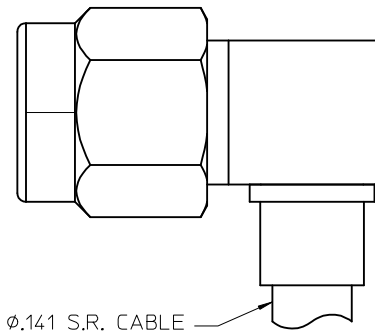
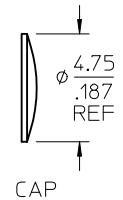
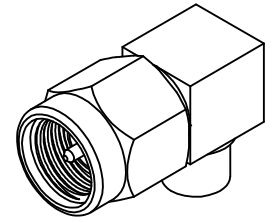
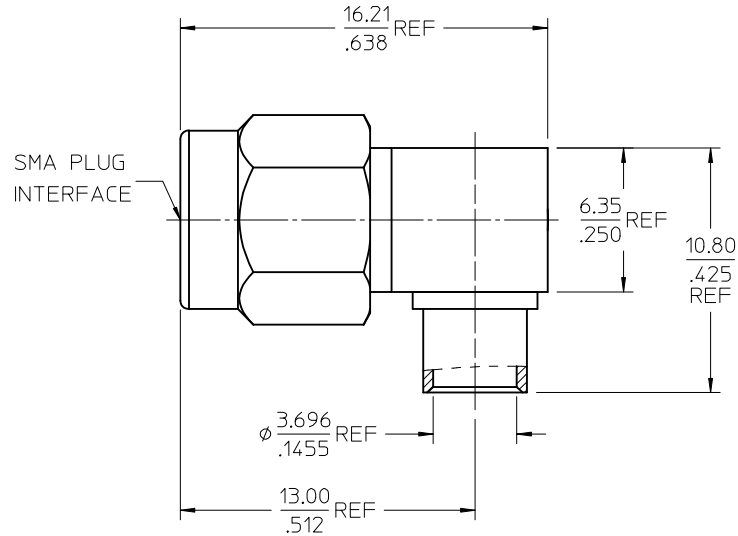
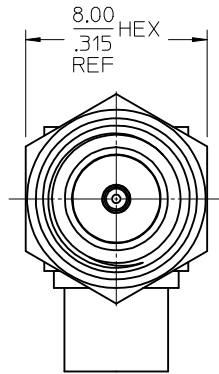
BODY, CAP, COUPLING NUT: BRASS  
FINISH: SEE TABLE

CENTER CONTACT: BERYLLIUM COPPER  
FINISH: GOLD

INSULATOR: TEFLON

RETAINING RING: BERYLLIUM COPPER

GASKET: SILICONE RUBBER



73251-0553	GOLD	NICKEL	NICKEL	TRAY
73251-0552	GOLD	GOLD	GOLD	-0551 ONE PER BAG
73251-0551	GOLD	GOLD	GOLD	TRAY
73251-0550	NICKEL	NICKEL	NICKEL	TRAY
PART NO.	BODY	CAP	COUPLING NUT	PACKAGING

CHG:ADDED -0553 PER PDR15072025 IEC NO: URF2016-0113 DRW:RYEH 2015/08/13 CHKD: APPR:YCHENG 2015/08/21	QUALITY SYMBOLS	GENERAL TOLERANCES (UNLESS SPECIFIED)	DIMENSION STYLE	SCALE	DESIGN UNITS	THIRD ANGLE PROJECTION
	▽=0	mm INCH	MM/IN	6:1	METRIC	
	▽=0	4 PLACES ± --- ± ---	DRAWN BY DATE	TITLE	SMA PLUG,R/A FOR .141 SR CABLE, 50 OHMS	
	▽=0	3 PLACES ± --- ± ---	CHECKED BY DATE	SMA-PC/RA, EWR-3594		
		2 PLACES ± --- ± ---	APPROVED BY DATE	<b>molex</b> DOCUMENT NO. SD-73251-055 SHEET NO. 1 OF 1		
		1 PLACE ± --- ± ---	GMH 2000/05/24			
		0 PLACE ± ±	MATERIAL NO.	SEE TABLE		
		ANGULAR ± 2 °	SIZE	THIS DRAWING CONTAINS INFORMATION THAT IS PROPRIETARY TO MOLEX INCORPORATED AND SHOULD NOT BE USED WITHOUT WRITTEN PERMISSION		

## X-ON Electronics

Largest Supplier of Electrical and Electronic Components

*Click to view similar products for [RF Connectors / Coaxial Connectors](#) category:*

*Click to view products by [Molex](#) manufacturer:*

Other Similar products are found below :

[8915-1511-000](#) [89674-0827](#) [6001-7071-019](#) [6002-7051-003](#) [6002-7551-202](#) [6059674-1](#) [619550-1](#) [630059-000](#) [M39030/3-01N](#) [6500-7071-046](#) [6769](#) [CX050L2AQ](#) [7002-1542-011](#) [7004-1512-000](#) [7009-1511-004](#) [7010-1511-000](#) [7029-1511-060](#) [7101-1541-010](#) [7101-1571-002](#) [7105-1521-002](#) [7145-1521-002](#) [7203-1571-003](#) [7209-1511-011](#) [7210-1511-015](#) [7210-1511-019](#) [73137-5015](#) [73216-2241](#) [73404-2300](#) [7405-1521-005](#) [7405-1521-802](#) [8527](#) [8547](#) [FS11V](#) [8808-1511-001](#) [9049-9513-000](#) [9074-9513-000](#) [9101-9573-002](#) [910A205F](#) [9130-9573-002](#) [PL11SC-026](#) [PL375-33](#) [PL40-5](#) [PL74C-221](#) [PL75MC-217](#) [PL803-7](#) [980-8666-005](#) [1200690078](#) [1-201144-1](#) [R107003010W](#) [R110A172100](#)