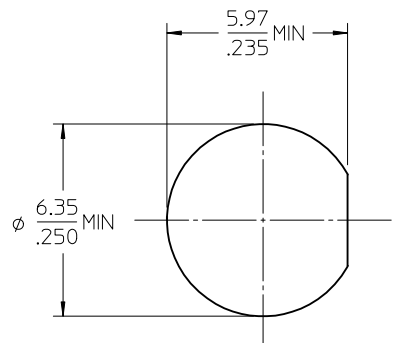
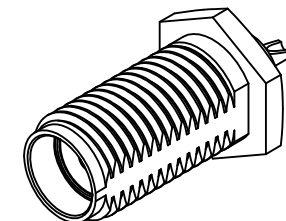


MATERIALS AND FINISHES:

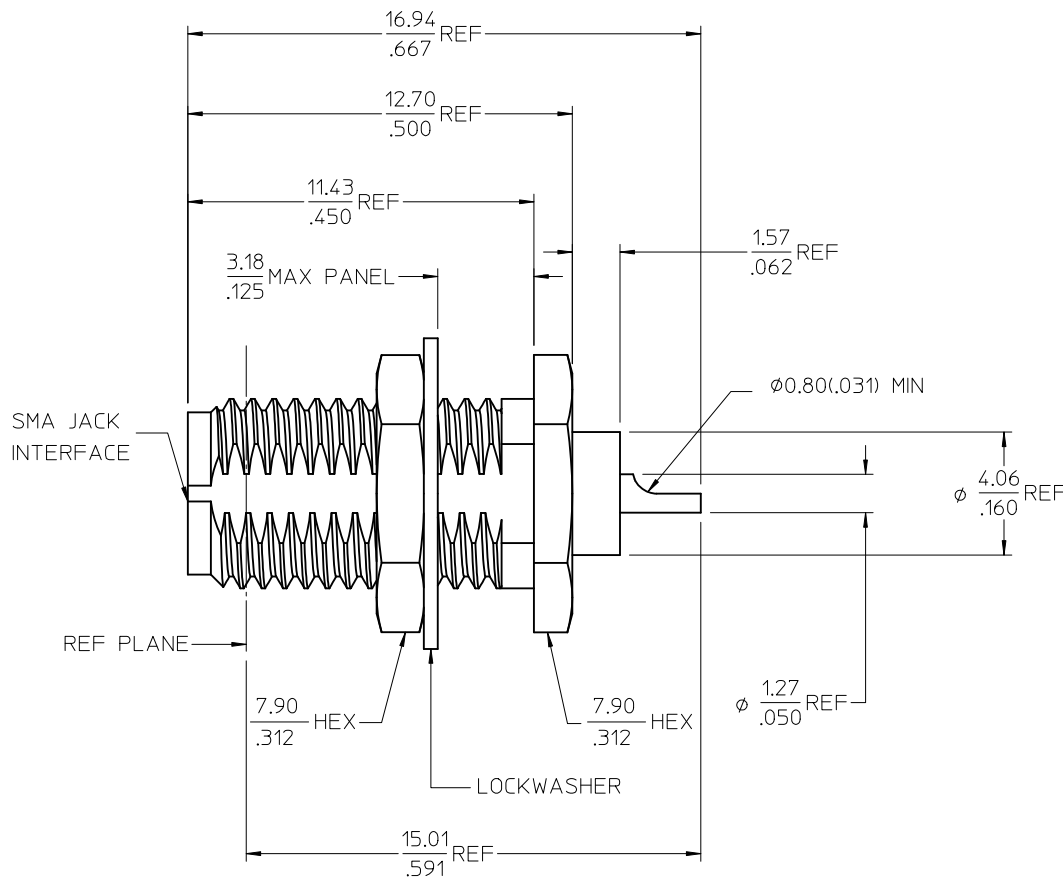
BODY, NUT, WASHER STAINLESS STEEL
SEE TABLE

CENTER CONTACT BERYLLIUM COPPER
PLATED GOLD

INSULATOR TEFLON



RECOMMENDED
MOUNTING HOLE



73251-0242	ONE PIECE 73251-0240 PER BAG
73251-0241	GOLD/BULK
73251-0240	PASSIVATE/BULK
PART NO.	PLATING/PACKAGING

PS-89675-2820	ELECTRO/MECH PERFORM
MIL-STD-348A, FIG. 310.2	INTERFACE
SPECIFICATION	DESCRIPTION

CHG: CLARIFIED BAGGING. EC NO: URF2010-0369 DRWN:ROBERTSON 2009/12/18 CHKD:SSS 2009/12/18 APPR:JWIENER 2009/12/18 A4	QUALITY SYMBOLS ▼=0 ▽=0	GENERAL TOLERANCES (UNLESS SPECIFIED) <table border="1"> <tr> <th></th> <th>mm</th> <th>INCH</th> </tr> <tr> <td>4 PLACES</td> <td>± .005</td> <td>± .0002</td> </tr> <tr> <td>3 PLACES</td> <td>± .003</td> <td>± .0001</td> </tr> <tr> <td>2 PLACES</td> <td>± .002</td> <td>± .00008</td> </tr> <tr> <td>1 PLACE</td> <td>± .001</td> <td>± .00004</td> </tr> </table> ANGULAR ± 2°		mm	INCH	4 PLACES	± .005	± .0002	3 PLACES	± .003	± .0001	2 PLACES	± .002	± .00008	1 PLACE	± .001	± .00004	DIMENSION STYLE MM/IN	SCALE DESIGN UNITS METRIC	THIRD ANGLE PROJECTION
				mm	INCH															
4 PLACES	± .005	± .0002																		
3 PLACES	± .003	± .0001																		
2 PLACES	± .002	± .00008																		
1 PLACE	± .001	± .00004																		
DRAWN BY EDC	DATE 2009/12/18	TITLE SMA JACK, RECT, BLKHD 50 OHMS, SOLDER POT SMA-J/BK	MOLEX INCORPORATED	MATERIAL NO. SEE TABLE	DOCUMENT NO. SD-73251-024															
DRAFT WHERE APPLICABLE MUST REMAIN WITHIN DIMENSIONS		APPROVED BY SSS	DATE 2009/12/18	SHEET NO. 1 OF 1	THIS DRAWING CONTAINS INFORMATION THAT IS PROPRIETARY TO MOLEX INCORPORATED AND SHOULD NOT BE USED WITHOUT WRITTEN PERMISSION															

X-ON Electronics

Largest Supplier of Electrical and Electronic Components

Click to view similar products for [RF Connectors / Coaxial Connectors](#) category:

Click to view products by [Molex](#) manufacturer:

Other Similar products are found below :

[R125315120](#) [8915-1511-000](#) [89674-0827](#) [5916-1103-603](#) [0106-001-000](#) [6-0001-3](#) [6001-7071-019](#) [6002-7051-003](#) [6002-7551-202](#) [6059674-1](#) [619550-1](#) [630059-000](#) [M39012/25-0021](#) [M39012/79-3008](#) [M39030/3-01N](#) [M39030/3-03N](#) [M3933/25-36N](#) [6500-7071-046](#) [6501-1071-002](#) [M83723/72W2457N](#) [6769](#) [CX050L2AQ](#) [7002-1541-010](#) [7002-1572-002](#) [7003-1572-002](#) [7004-1512-000](#) [7009-1511-004](#) [7010-1511-000](#) [7029-1511-060](#) [7101-1541-010](#) [7101-1571-002](#) [7105-1521-002](#) [7145-1521-002](#) [7209-1511-011](#) [7210-1511-012](#) [7210-1511-015](#) [7210-1511-019](#) [7210-1511-040](#) [7225-1512-050](#) [7242-1511-000](#) [73137-5015](#) [73251-0111](#) [73251-0672](#) [73276-1501](#) [73366-0013](#) [73404-2300](#) [73413-6080](#) [73415-5721](#) [7405-1521-005](#) [7405-1521-802](#)