

MATERIALS AND FINISHES

BODY, JAM NUT, CRIMP TUBE BRASS
PLATED GOLD

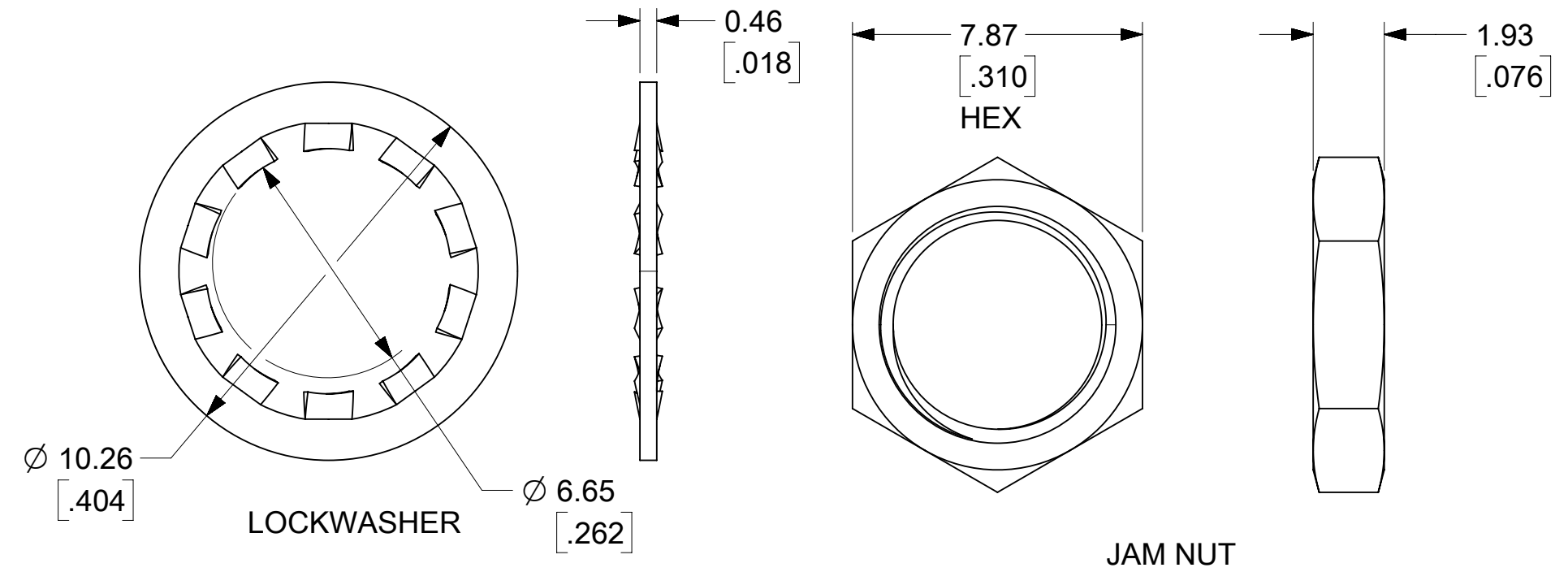
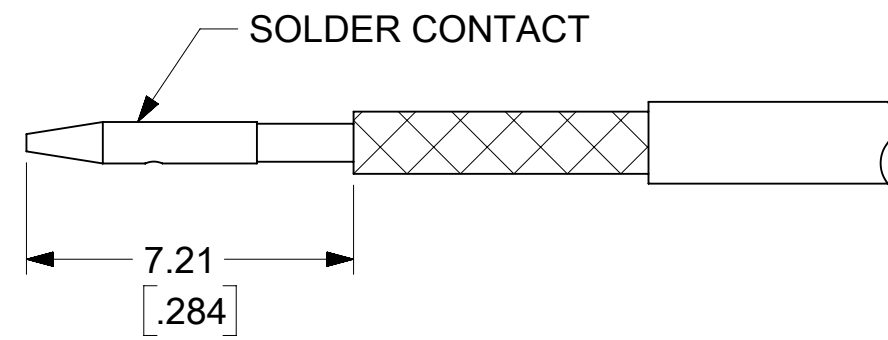
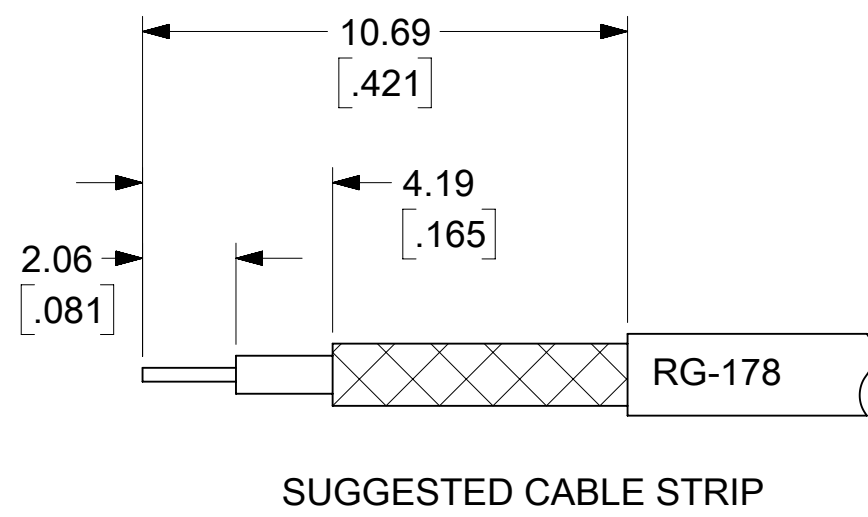
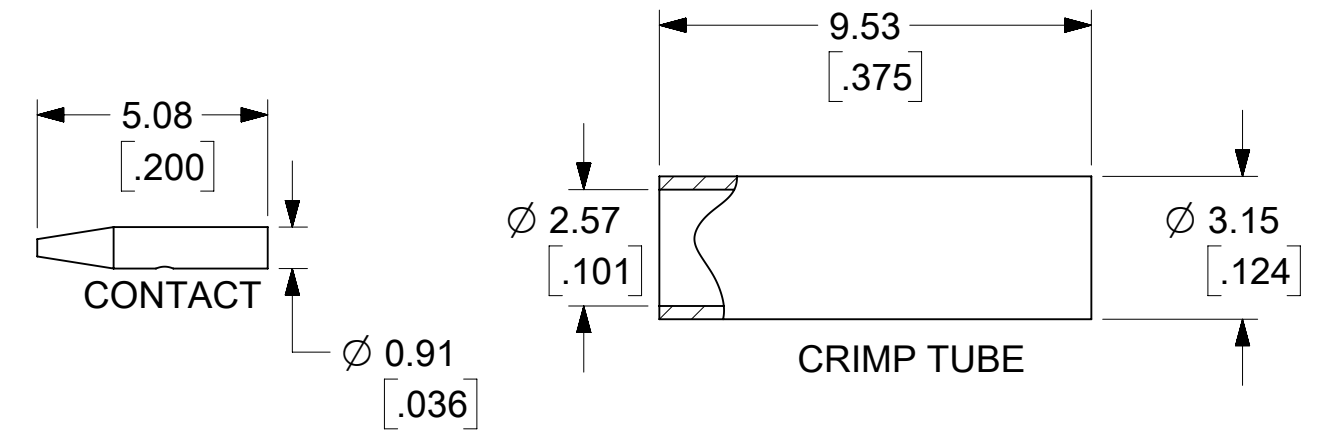
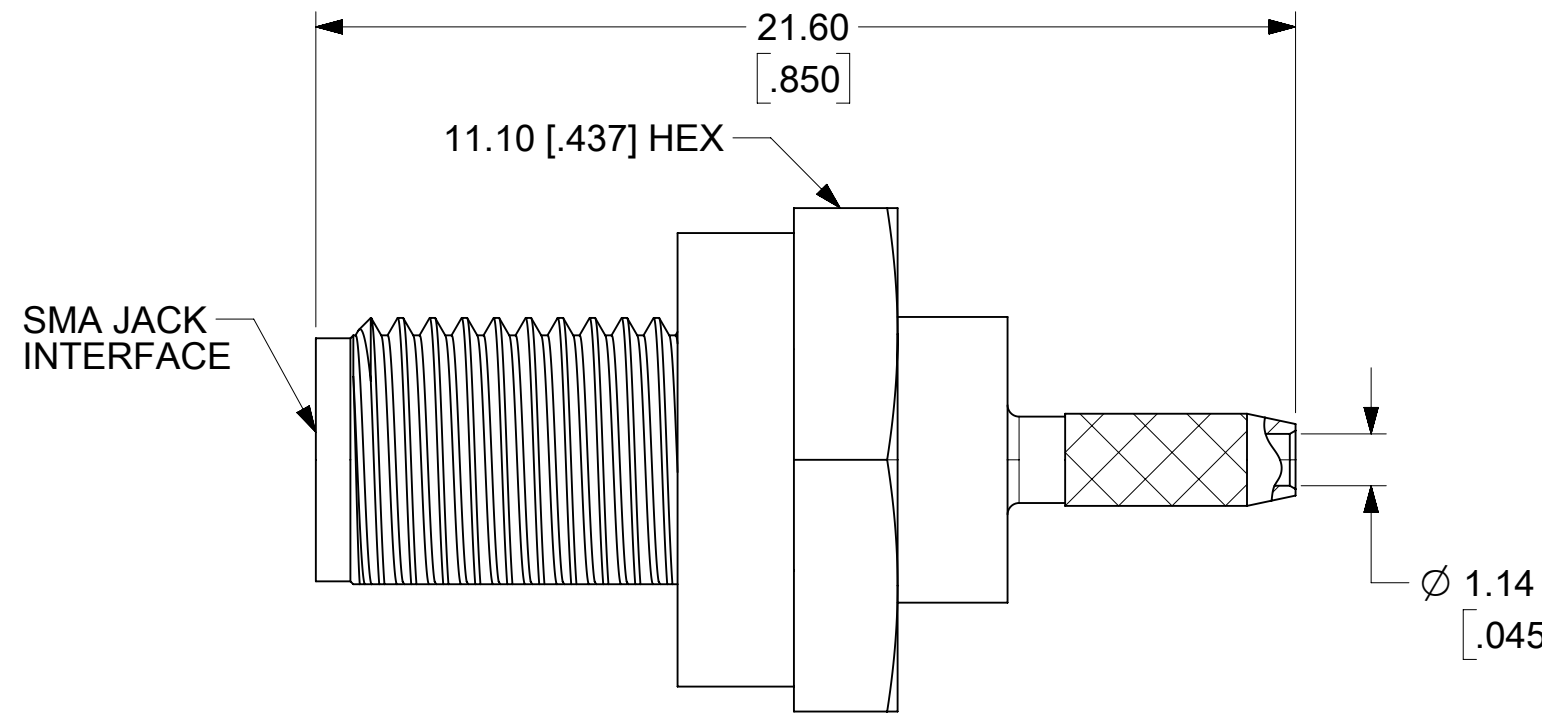
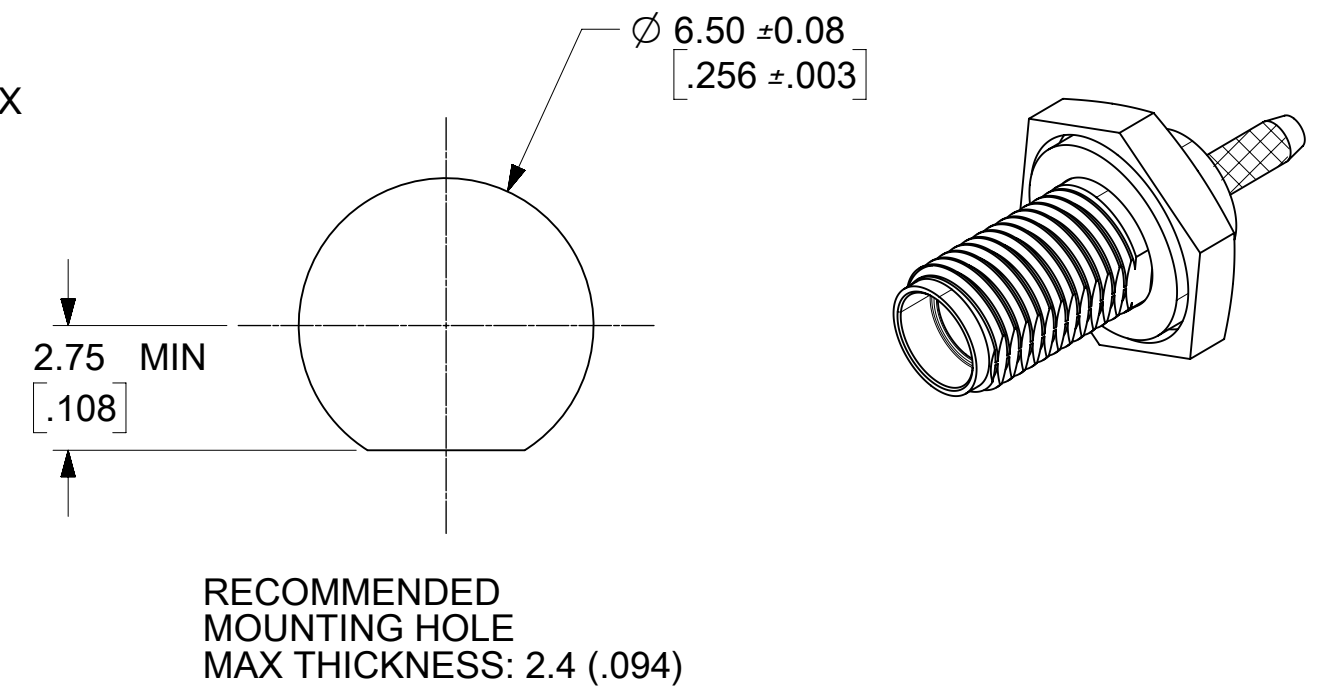
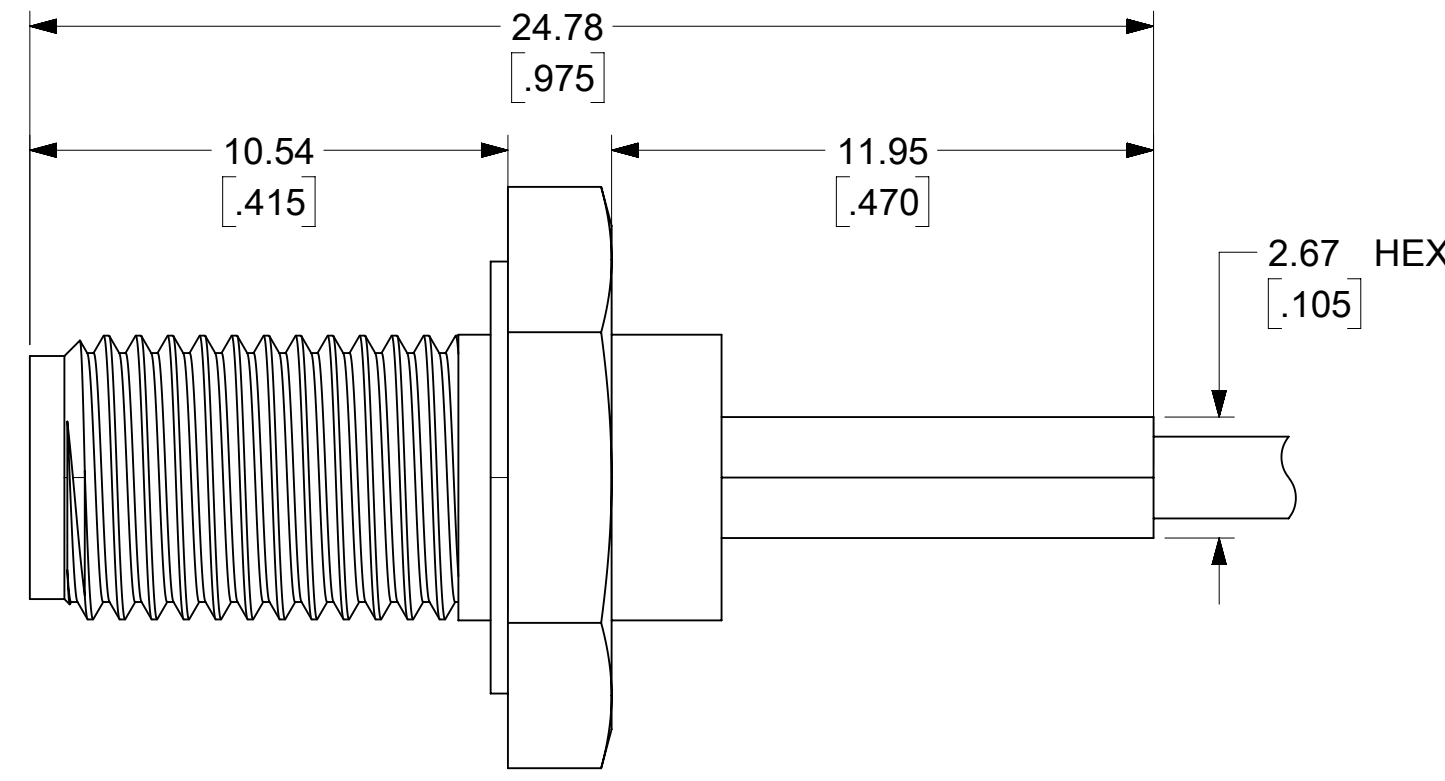
CENTER CONTACT BERYLLIUM COPPER
PLATED GOLD

INSULATOR TEFLON

PIN CONTACT: BRASS
PLATED: GOLD

LOCKWASHER: PHOSPHOR BRONZE
PLATED: GOLD

GASKET: SILICONE RUBBER



MIL - STD - 348A, FIG. 310.2	INTERFACE
SPECIFICATION	DESCRIPTION

73251-1481	SINGLE BAG
73251-1480	BULK
PART NO.	PACKAGING

SYMBOLS		THIS DRAWING CONTAINS INFORMATION THAT IS PROPRIETARY TO MOLEX ELECTRONIC TECHNOLOGIES, LLC AND SHOULD NOT BE USED WITHOUT WRITTEN PERMISSION	
▽ = 0	DIMENSION UNITS	SCALE	CURRENT REV DESC: MIGRATED TO NX
▽ = 0	MM/IN		
▽ = 0	GENERAL TOLERANCES (UNLESS SPECIFIED)		EC NO: 177040 DRWN: SMAHESHBABU 2018/02/15 CHK'D: CWEI02 2018/05/22 APPR: YCHENG 2018/05/23
▽ = 0	ANGULAR TOL ± 2.0°		
▽ = 0	4 PLACES ±		INITIAL REVISION: DRWN: JM 2004/10/12 APPR: JWIENER 2010/01/28
▽ = 0	3 PLACES ±		
▽ = 0	2 PLACES ±		DOCUMENT NUMBER SD-73251-148
▽ = 0	1 PLACE ±		
▽ = 0	0 PLACES ±		DOC TYPE PSD
▽ = 0	DRAFT WHERE APPLICABLE MUST REMAIN WITHIN DIMENSIONS		DOC PART 001
▽ = 0	THIRD ANGLE PROJECTION	DRAWING C-SIZE	REVISION A4
▽ = 0	SERIES 73251	MATERIAL NUMBER SEE TABLE	CUSTOMER GENERAL MARKET
		SHEET NUMBER 1 OF 1	

molex

SMA JACK, BLKHD FOR RG178
50 OHMS, EWR-2608 SMA-JC

PRODUCT CUSTOMER DRAWING

X-ON Electronics

Largest Supplier of Electrical and Electronic Components

Click to view similar products for [RF Connectors / Coaxial Connectors](#) category:

Click to view products by [Molex](#) manufacturer:

Other Similar products are found below :

[8915-1511-000](#) [89674-0827](#) [6001-7071-019](#) [6002-7051-003](#) [6002-7551-202](#) [6059674-1](#) [619550-1](#) [630059-000](#) [M39030/3-01N](#) [6500-7071-046](#) [6769](#) [CX050L2AQ](#) [7002-1542-011](#) [7004-1512-000](#) [7009-1511-004](#) [7010-1511-000](#) [7029-1511-060](#) [7101-1541-010](#) [7101-1571-002](#) [7105-1521-002](#) [7145-1521-002](#) [7203-1571-003](#) [7209-1511-011](#) [7210-1511-015](#) [7210-1511-019](#) [73137-5015](#) [73216-2241](#) [73404-2300](#) [7405-1521-005](#) [7405-1521-802](#) [7406-1521-005](#) [8527](#) [8547](#) [FS11V](#) [877931](#) [8808-1511-001](#) [9049-9513-000](#) [9074-9513-000](#) [9101-9573-002](#) [910A205F](#) [9130-9573-002](#) [PL11SC-026](#) [PL375-33](#) [PL40-5](#) [PL71-9](#) [PL74C-221](#) [PL75MC-217](#) [PL803-7](#) [980-8666-005](#) [1200690078](#)