

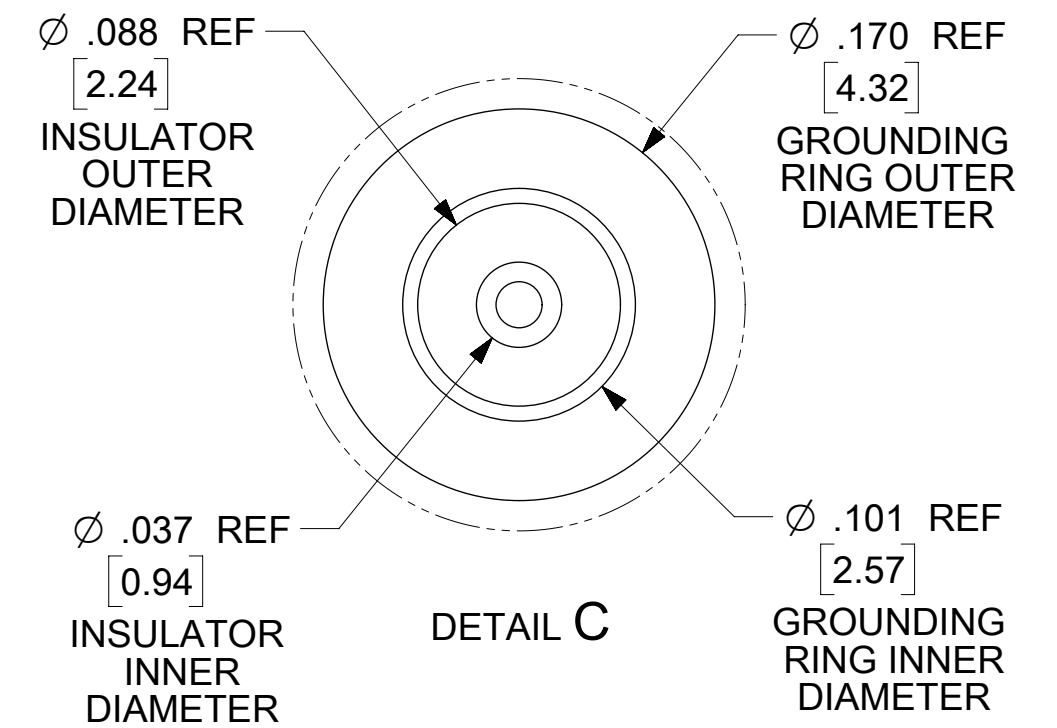
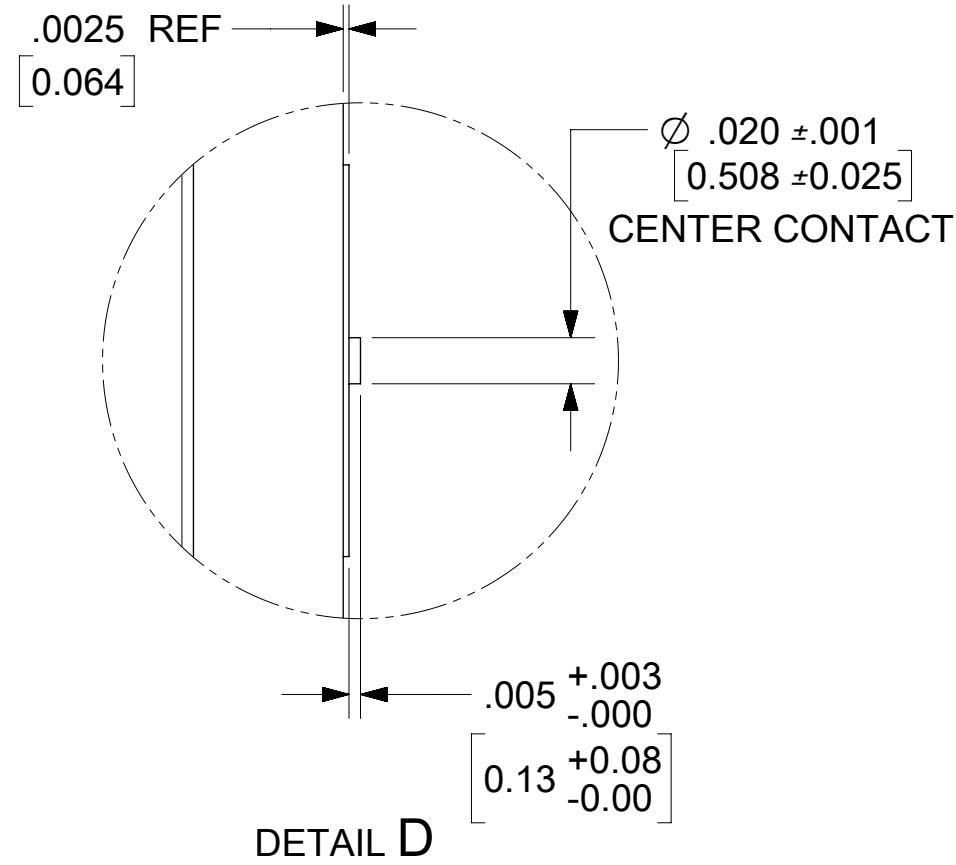
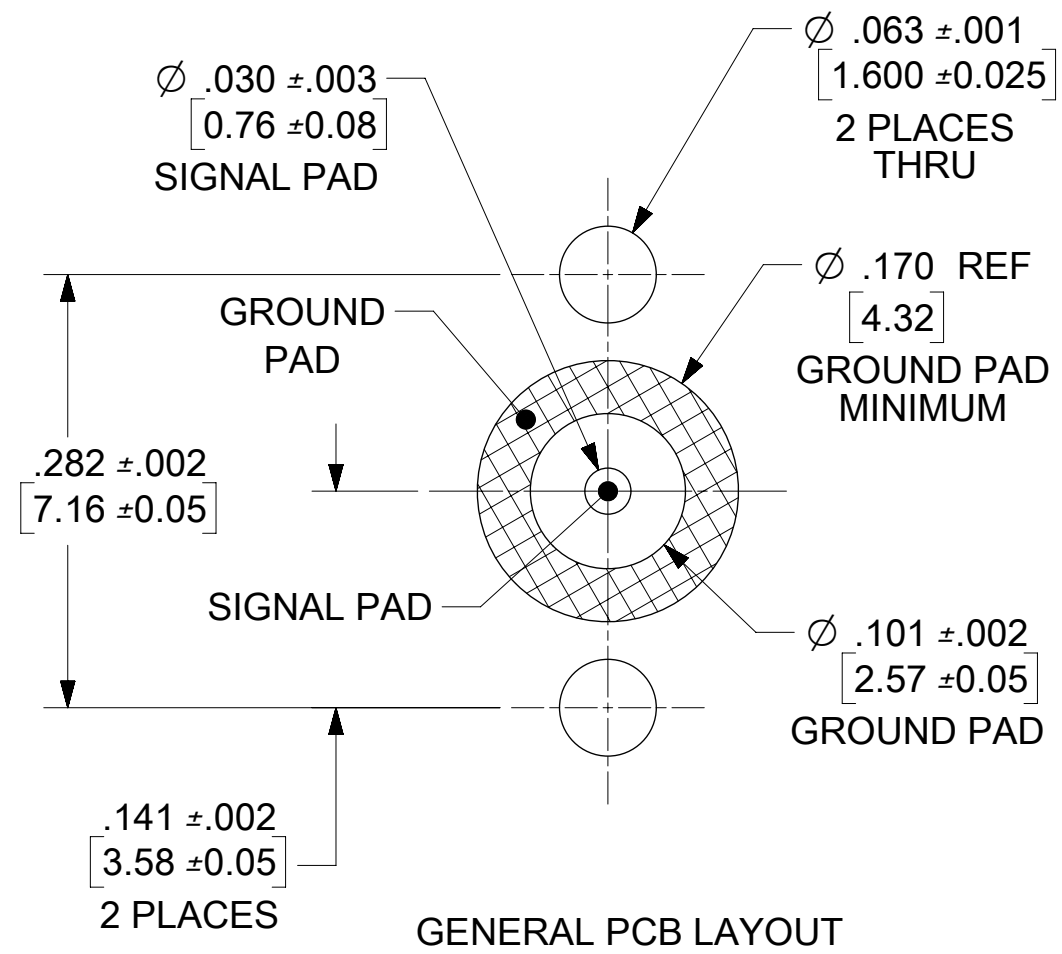
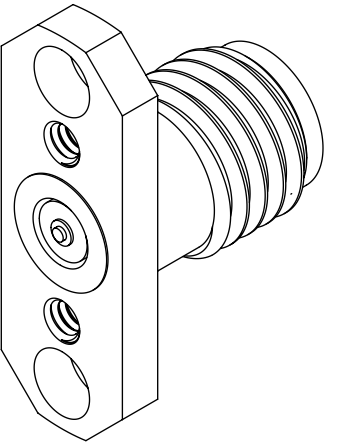
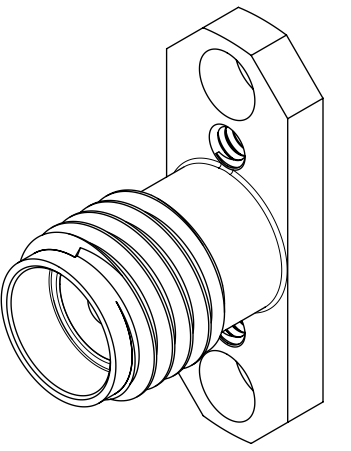
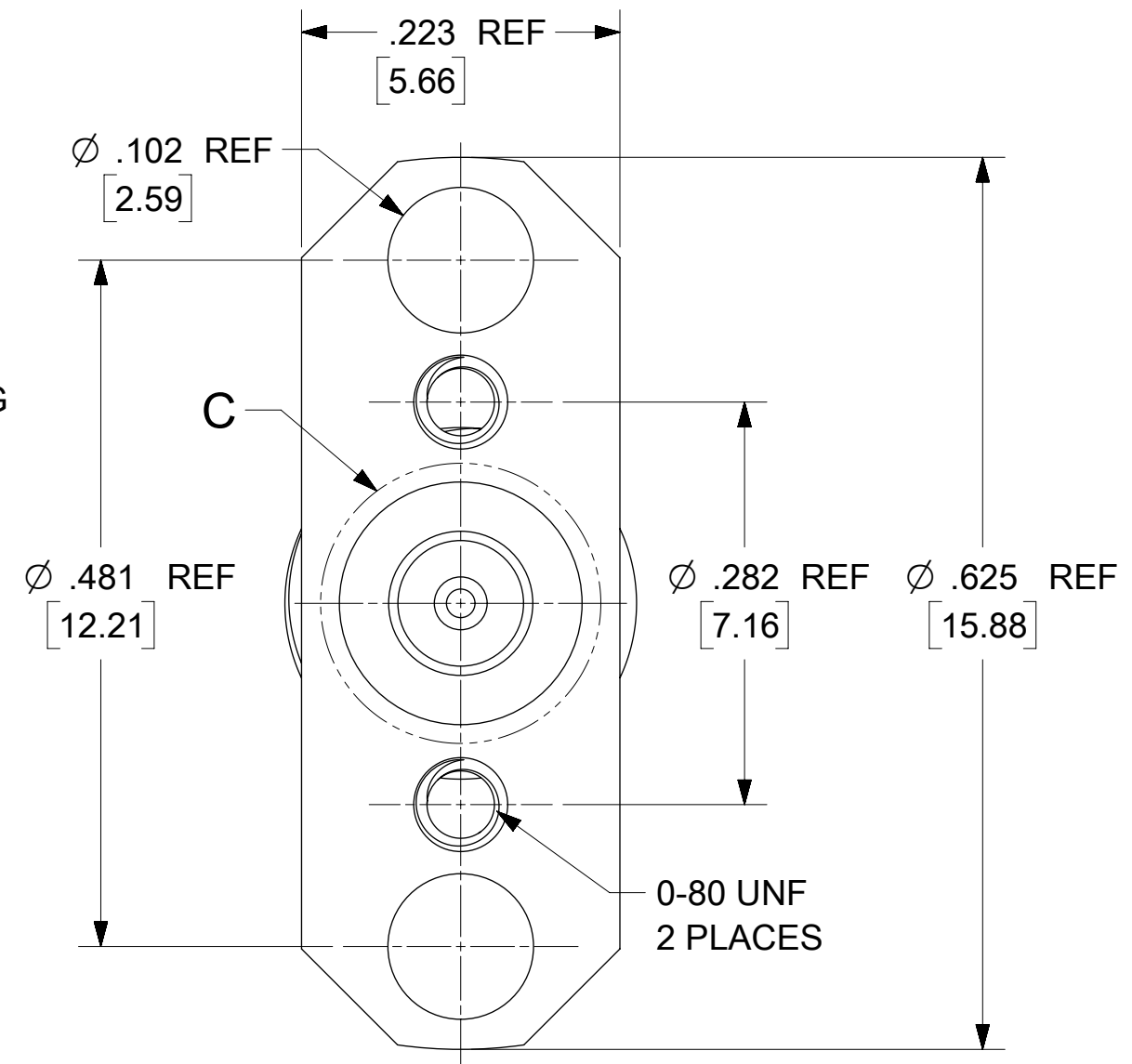
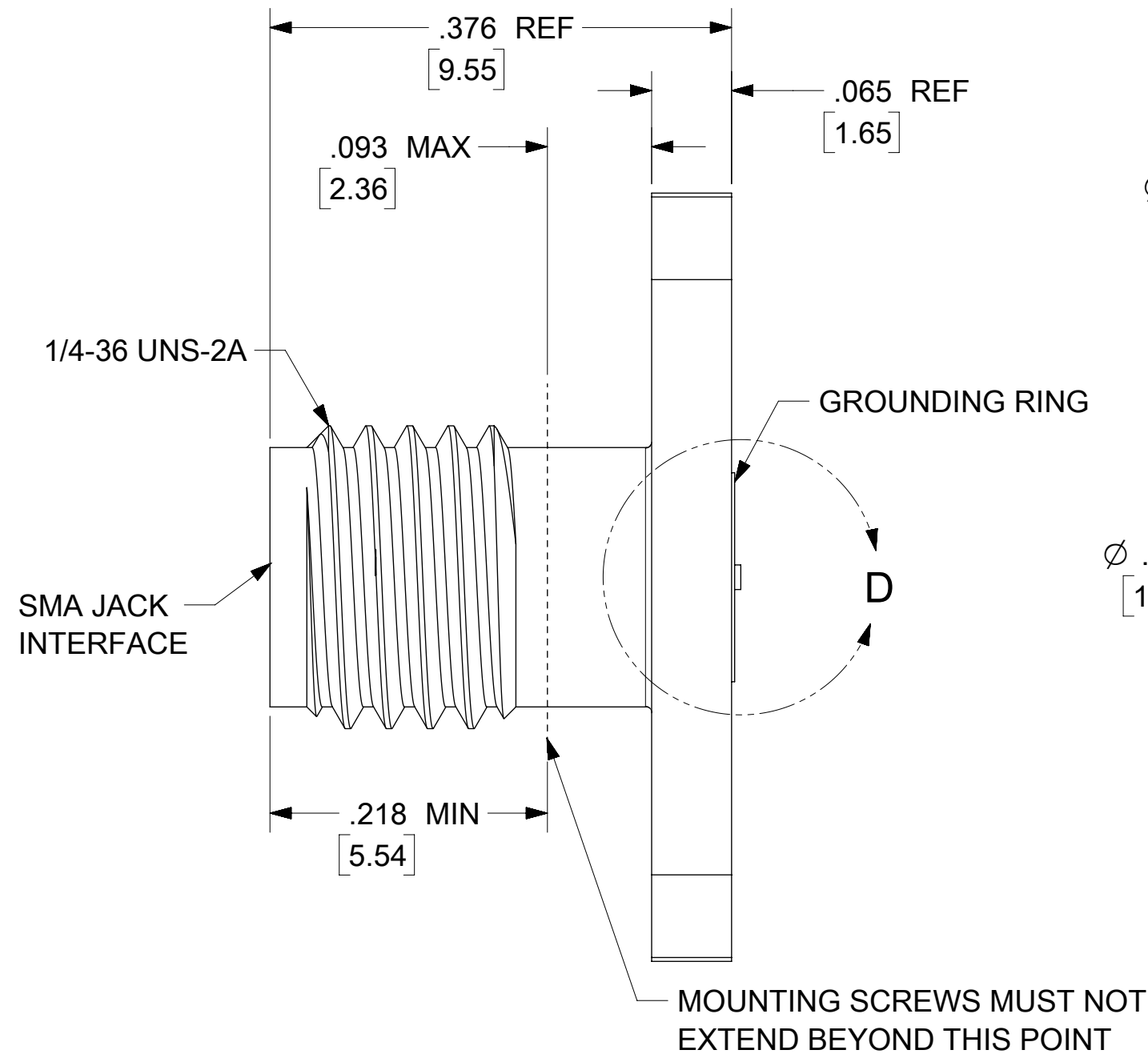
MATERIALS AND FINISHES:

**BODY: STAINLESS STEEL
PLATED: PASSIVATE**

**CENTER CONTACT: BERYLLIUM COPPER
PLATED: GOLD (50μ-in) MIN
OVER NICKEL (100μ -in) MIN**

INSULATOR: PTFE

**SCREW: STAINLESS STEEL
PLATED: PASSIVATE**



SEE SHEET 2 FOR PART NUMBERS

PS-89675-3460	ELECTO/MECH PERFOR
MIL-STD-348B, FIG 310-2	INTERFACE
SPECIFICATION	DESCRIPTION

THIS DRAWING CONTAINS INFORMATION THAT IS PROPRIETARY TO MOLEX ELECTRONIC TECHNOLOGIES, LLC AND SHOULD NOT BE USED WITHOUT WRITTEN PERMISSION

DIMENSION UNITS INCH	SCALE	CURRENT REV DESC: SEE ECM 117632	molex		
GENERAL TOLERANCES (UNLESS SPECIFIED)		EC NO: 174360			
4 PLACES ±	±	DRWN: PSWAMI02 2018/04/04	PRODUCT CUSTOMER DRAWING		
3 PLACES ±	±	CHK'D: PSWAMI02 2018/04/04	DOCUMENT NUMBER		
2 PLACES ±	±	APPR: AROBERTSON 2018/04/04	SD-73251-185		
1 PLACE ±	±	INITIAL REVISION:	DOC TYPE	DOC PART	REVISION
0 PLACES ±	±	DRWN: PSWAMI02 2017/06/01	PSD	000	B21
ANGULAR TOL ± °	± °	APPR: AROBERTSON 2017/06/01	SHEET NUMBER		
DRAFT WHERE APPLICABLE MUST REMAIN WITHIN DIMENSIONS	THIRD ANGLE PROJECTION	DRAWING C-SIZE	MATERIAL NUMBER	CUSTOMER	SEE TABLE
		SERIES 73251	1 OF 3		

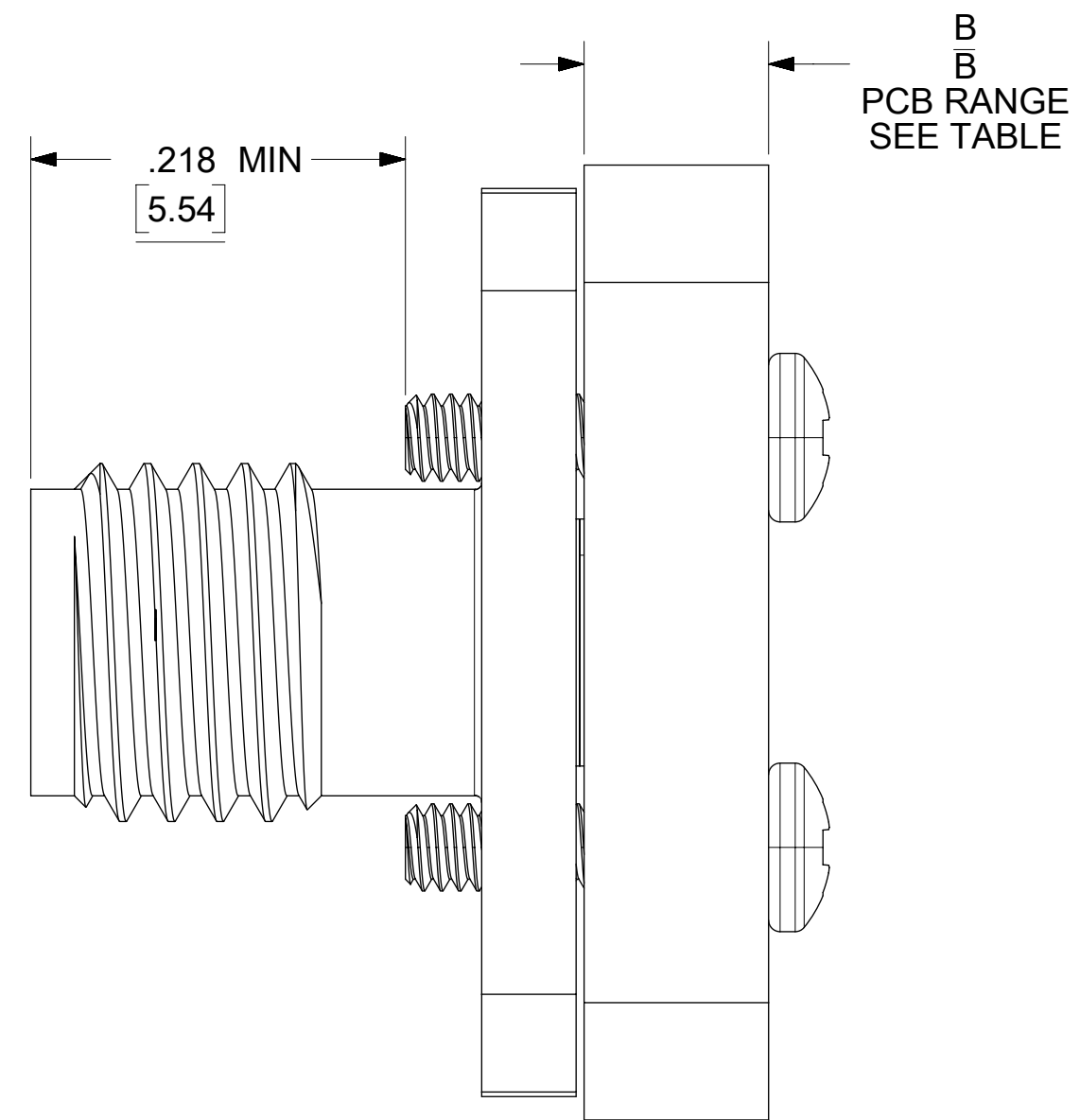
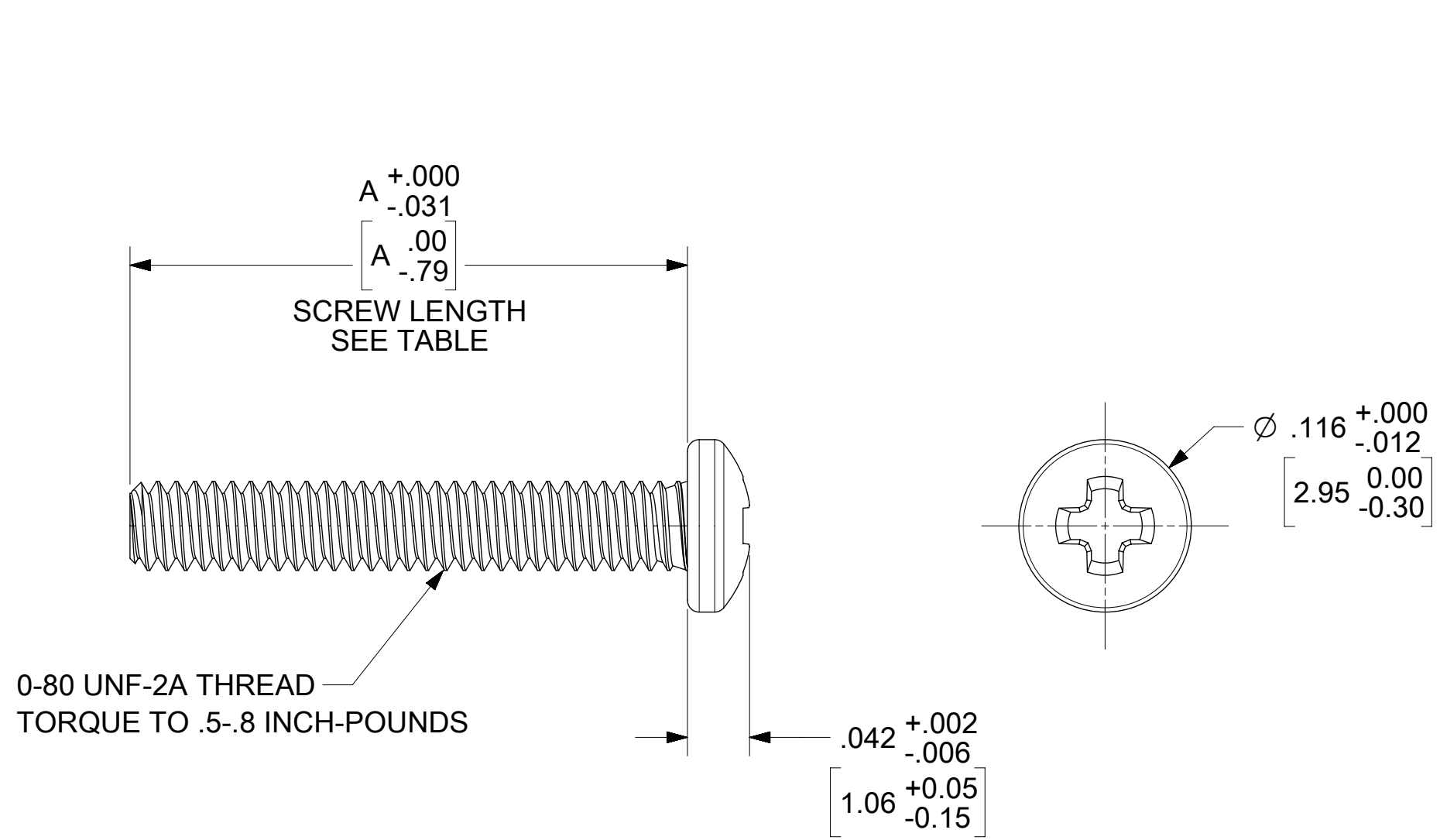
DOCUMENT STATUS	P1	RELEASE DATE	2018/04/04	13:36:29
-----------------	----	--------------	------------	----------

MATERIALS AND FINISHES

SEE SHEET 1

PCB LAYOUT

SEE SHEET 1



73251-1856	4.76 / .188	.062+.040/-01	1.57+1.02/-0.25	2	SINGLE BAG	IN BAG
73251-1855	3.18 / .125	.050+.00/-0.040	1.27+0.00/-1.02	2	TRAY	BULK
73251-1854	9.53 / .375	.255+.040/-0.02	6.48+1.02/-0.51	2	TRAY	BULK
73251-1853	6.35 / .250	.130+.040/-0.02	3.30+1.02/-0.51	2	TRAY	BULK
73251-1852	N/A	N/A	N/A	NO SCREW	SINGLE BAG	NONE
73251-1851	4.76 / .188	.062+.040/-0.01	1.57+1.02/-0.25	2	TRAY	BULK
73251-1850	N/A	N/A	N/A	NO SCREW	TRAY	NONE
PART NO.	(MM/IN)	IN	MM	SCREWS (QTY)	PACKAGING	SCREW PACKAGING
	DIM A	DIM B				

THIS DRAWING CONTAINS INFORMATION THAT IS PROPRIETARY TO MOLEX ELECTRONIC TECHNOLOGIES, LLC AND SHOULD NOT BE USED WITHOUT WRITTEN PERMISSION

DIMENSION UNITS	SCALE	CURRENT REV DESC: SEE ECM 117632	
INCH			
GENERAL TOLERANCES (UNLESS SPECIFIED)			
	MM	INCH	
4 PLACES	±	±	
3 PLACES	±	±	
2 PLACES	±	±	
1 PLACE	±	±	
0 PLACES	±	±	
ANGULAR TOL	±	°	
DRAFT WHERE APPLICABLE MUST REMAIN WITHIN DIMENSIONS		THIRD ANGLE PROJECTION	DRAWING
			C-SIZE
		SERIES	73251
		MATERIAL NUMBER	SEE TABLE
		CUSTOMER	
		SHEET NUMBER	2 OF 3

EC NO: 174360
 DRWN: PSWAMI02 2018/04/04
 CHK'D: PSWAMI02 2018/04/04
 APPR: AROBERTSON 2018/04/04

INITIAL REVISION:
 DRWN: PSWAMI02 2017/06/01
 APPR: AROBERTSON 2017/06/01

molex

SMA JACK, 2H FLG WITH
 0-80 THD, 50 OHM 27 GHZ SMA-JR/F, EWR-10959-A

PRODUCT CUSTOMER DRAWING

DOCUMENT NUMBER	DOC TYPE	DOC PART	REVISION
SD-73251-185	PSD	000	B21

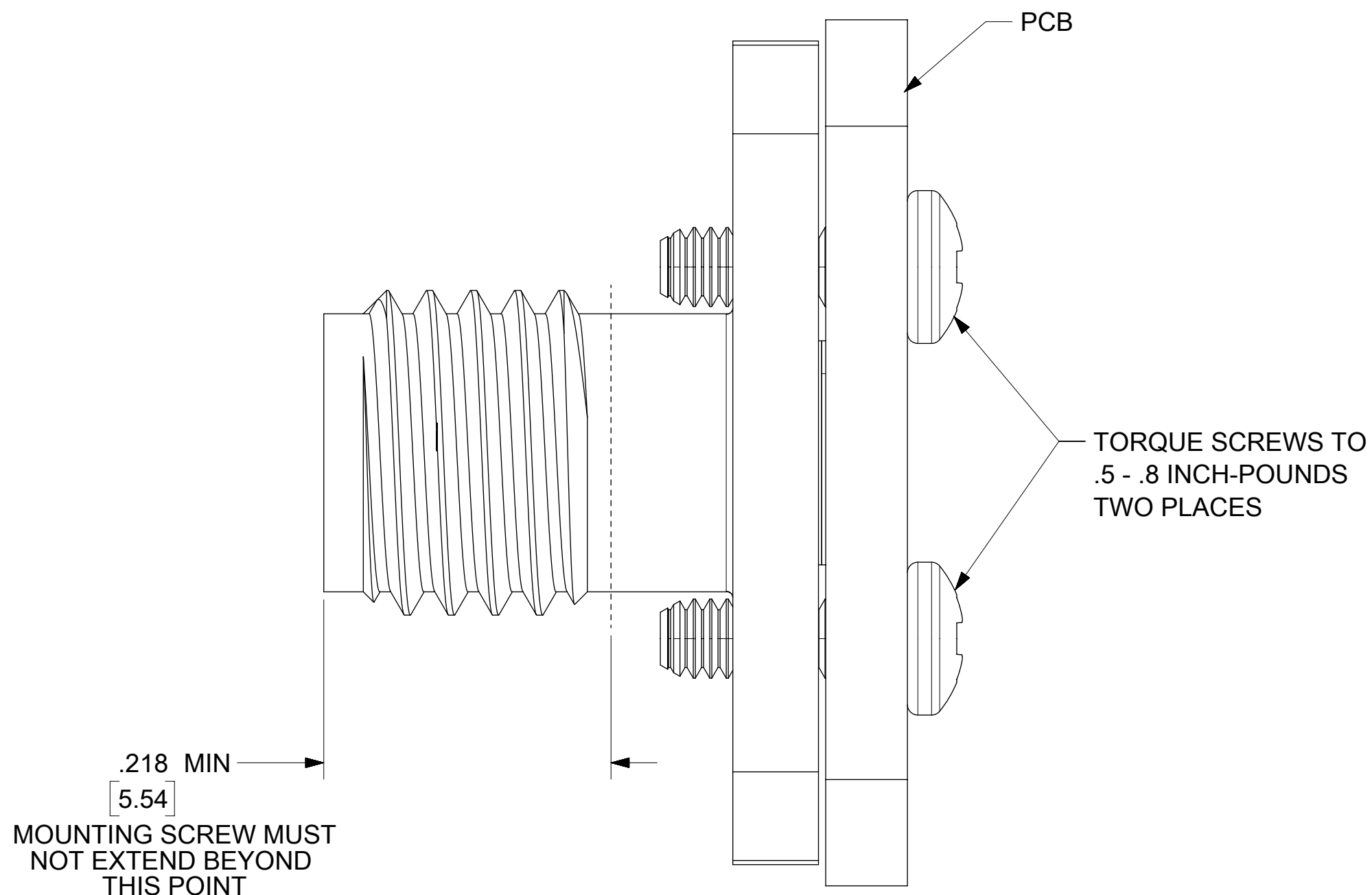
DOCUMENT STATUS	P1	RELEASE DATE	2018/04/04 13:36:29
-----------------	----	--------------	---------------------

ADDITIONAL APPLICATION NOTES / ASSEMBLY INSTRUCTIONS


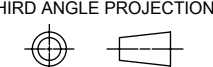
1. SEE SHEET ONE FOR SUGGESTED PCB LAYOUT. HEIGHT OF GROUND AND SIGNAL PADS MUST BE EVEN WITHIN $\pm .0015(.038)$.

2. SECURE CONNECTOR TO BOARD BY THREADING TWO 0-80 SCREWS FROM BOTTOM SIDE OF BOARD THROUGH CONNECTOR HOLES TO INDICATED TORQUE (SEE FIGURE).

DO NOT SOLDER CONNECTOR TO BOARD.



THIS DRAWING CONTAINS INFORMATION THAT IS PROPRIETARY TO MOLEX ELECTRONIC TECHNOLOGIES, LLC AND SHOULD NOT BE USED WITHOUT WRITTEN PERMISSION

DIMENSION UNITS INCH		SCALE		CURRENT REV DESC: SEE ECM 117632			 SMA JACK, 2H FLG WITH 0-80 THD, 50 OHM 27 GHZ SMA-JR/F, EWR-10959-A		
GENERAL TOLERANCES (UNLESS SPECIFIED)				EC NO: 174360					
	MM	INCH		DRWN: PSWAMI02	2018/04/04				
4 PLACES	±	±		CHK'D: PSWAMI02	2018/04/04				
3 PLACES	±	±		APPR: AROBERTSON	2018/04/04				
2 PLACES	±	±		INITIAL REVISION:					
1 PLACE	±	±		DRWN: PSWAMI02	2017/06/01				
0 PLACES	±	±		APPR: AROBERTSON	2017/06/01				
ANGULAR TOL ± °				THIRD ANGLE PROJECTION			DRAWING	SERIES	
DRAFT WHERE APPLICABLE MUST REMAIN WITHIN DIMENSIONS							C-SIZE	73251	
DOCUMENT NUMBER		DOC TYPE	DOC PART	REVISION	SHEET NUMBER				
SD-73251-185		PSD	000	B21	3 OF 3				
MATERIAL NUMBER		CUSTOMER		SEE TABLE					

DOCUMENT STATUS	P1	RELEASE DATE	2018/04/04	13:36:29
-----------------	----	--------------	------------	----------

X-ON Electronics

Largest Supplier of Electrical and Electronic Components

Click to view similar products for [RF Connectors / Coaxial Connectors](#) category:

Click to view products by [Molex](#) manufacturer:

Other Similar products are found below :

[8915-1511-000](#) [89674-0827](#) [6001-7071-019](#) [6002-7051-003](#) [6002-7551-202](#) [6059674-1](#) [619550-1](#) [630059-000](#) [M39030/3-01N](#) [6500-7071-046](#) [6769](#) [CX050L2AQ](#) [7002-1542-011](#) [7004-1512-000](#) [7009-1511-004](#) [7010-1511-000](#) [7029-1511-060](#) [7101-1541-010](#) [7101-1571-002](#) [7105-1521-002](#) [7145-1521-002](#) [7203-1571-003](#) [7209-1511-011](#) [7210-1511-015](#) [7210-1511-019](#) [73137-5015](#) [73216-2241](#) [73404-2300](#) [7405-1521-005](#) [7405-1521-802](#) [8527](#) [8547](#) [FS11V](#) [8808-1511-001](#) [9049-9513-000](#) [9074-9513-000](#) [9101-9573-002](#) [910A205F](#) [9130-9573-002](#) [PL11SC-026](#) [PL375-33](#) [PL40-5](#) [PL74C-221](#) [PL75MC-217](#) [PL803-7](#) [980-8666-005](#) [1200690078](#) [1-201144-1](#) [R107003010W](#) [R110A172100](#)