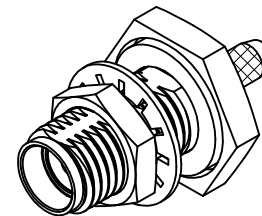
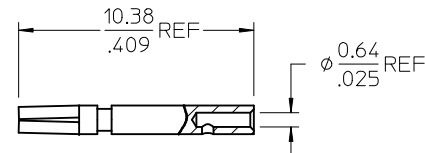
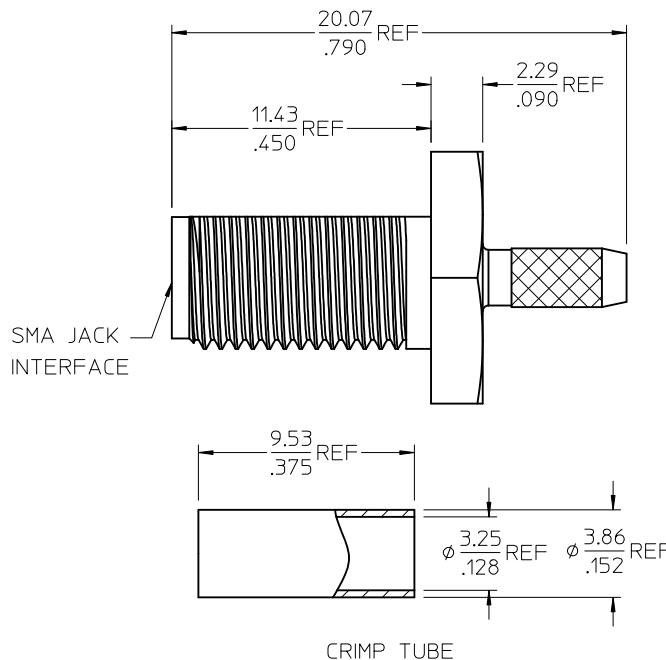
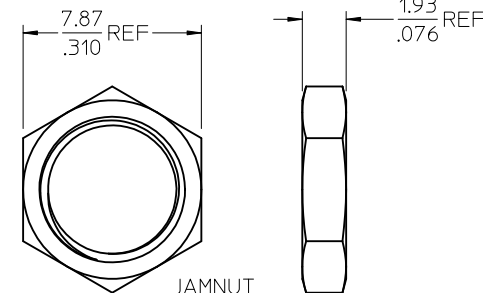


MATERIALS AND FINISHES:

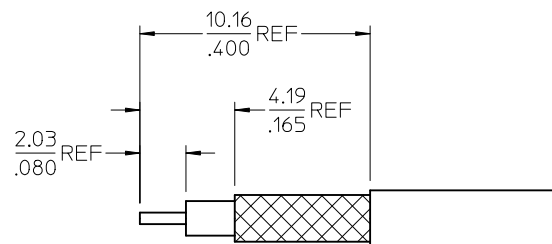
- BODY BRASS  
PLATED SEE TABLE
- CONTACT BERYLLIUM COPPER  
PLATED GOLD
- INSULATOR TEFLON
- GASKET SILICONE RUBBER
- LOCKWASHER PHOSPHOR BRONZE  
PLATED GOLD
- JAMNUT BRASS  
PLATED GOLD
- CRIMP TUBE BRASS  
PLATED GOLD



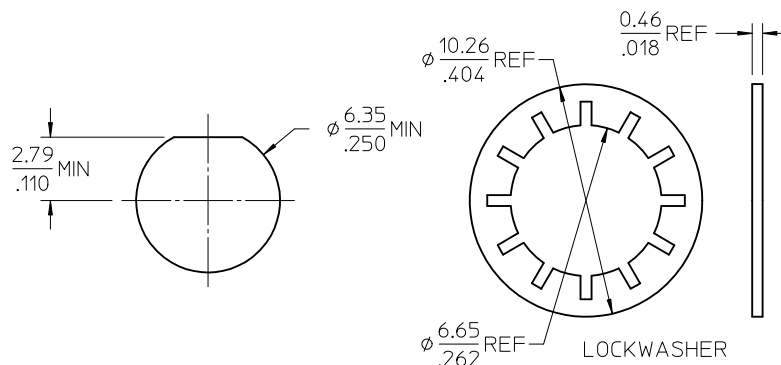
CONTACT



JAMNUT



RECOMMENDED STRIP DIMENSION  
CRIMP SIZE: .128 HEX



LOCKWASHER

GASKET

73251-2172	73251-2170 PACKAGED IN SINGLE BAGS
73251-2171	GOLD (5 MICROINCHES MIN) / BULK PACK
73251-2170	GOLD (1 MICROINCHES MIN) / BULK PACK
PART NO.	PLATING / PACKAGING

MIL-STD-348A, FIG. 310.2	INTERFACE
SPECIFICATION	DESCRIPTION

CHG: ADD -2172 EC NO: URF2012-0421 DRWN: WIENER 2012/01/26 CHKD: SSS 2012/01/26 APPR: WIENER 2012/01/27 REV: A3	QUALITY SYMBOLS ▽=0 ▽=0	GENERAL TOLERANCES (UNLESS SPECIFIED) mm INCH 4 PLACES ± --- ± --- 3 PLACES ± --- ± --- 2 PLACES ± --- ± --- 1 PLACE ± --- ± --- ANGULAR ± 2°	DIMENSION STYLE MM/IN DRAWN BY DATE SSS 2004/02/10 CHECKED BY DATE TEF 2004/02/10 APPROVED BY DATE GMH 2004/02/10	SCALE DESIGN UNITS METRIC THIRD ANGLE PROJECTION	TITLE SMA JACK, BLKHD, RG316 50 OHM, EWR2051 SMA-JC/BLK	MATERIAL NO. SEE TABLE DOCUMENT NO. SD-73251-217 SHEET NO. 1 OF 1
		DRAFT WHERE APPLICABLE MUST REMAIN WITHIN DIMENSIONS		MOLEX INCORPORATED		
		THIS DRAWING CONTAINS INFORMATION THAT IS PROPRIETARY TO MOLEX INCORPORATED AND SHOULD NOT BE USED WITHOUT WRITTEN PERMISSION		MOLEX INCORPORATED		

## X-ON Electronics

Largest Supplier of Electrical and Electronic Components

*Click to view similar products for [RF Connectors / Coaxial Connectors](#) category:*

*Click to view products by [Molex](#) manufacturer:*

Other Similar products are found below :

[8915-1511-000](#) [89674-0827](#) [6001-7071-019](#) [6002-7051-003](#) [6002-7551-202](#) [6059674-1](#) [619550-1](#) [630059-000](#) [M39030/3-01N](#) [6500-7071-046](#) [6769](#) [CX050L2AQ](#) [7002-1542-011](#) [7004-1512-000](#) [7009-1511-004](#) [7010-1511-000](#) [7029-1511-060](#) [7101-1541-010](#) [7101-1571-002](#) [7105-1521-002](#) [7145-1521-002](#) [7203-1571-003](#) [7209-1511-011](#) [7210-1511-015](#) [7210-1511-019](#) [73137-5015](#) [73216-2241](#) [73404-2300](#) [7405-1521-005](#) [7405-1521-802](#) [8527](#) [8547](#) [FS11V](#) [877931](#) [8808-1511-001](#) [9049-9513-000](#) [9074-9513-000](#) [9101-9573-002](#) [910A205F](#) [9130-9573-002](#) [PL11SC-026](#) [PL375-33](#) [PL40-5](#) [PL74C-221](#) [PL75MC-217](#) [PL803-7](#) [1200690078](#) [1-201144-1](#) [R107003010W](#) [R110A172100](#)