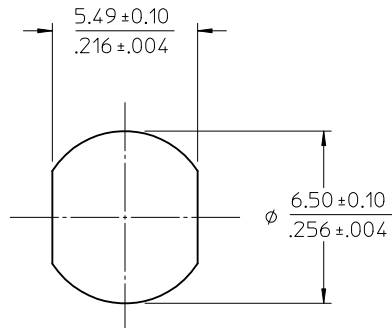
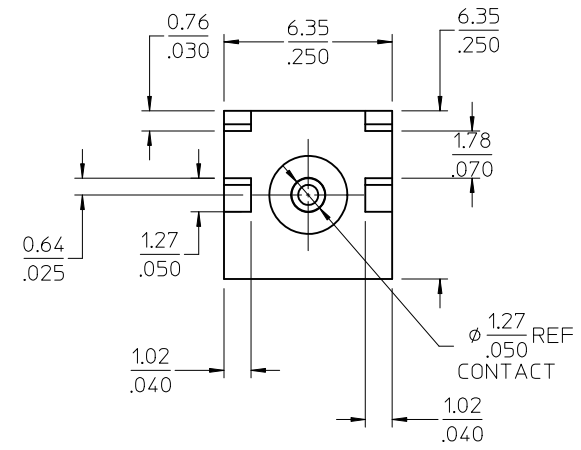
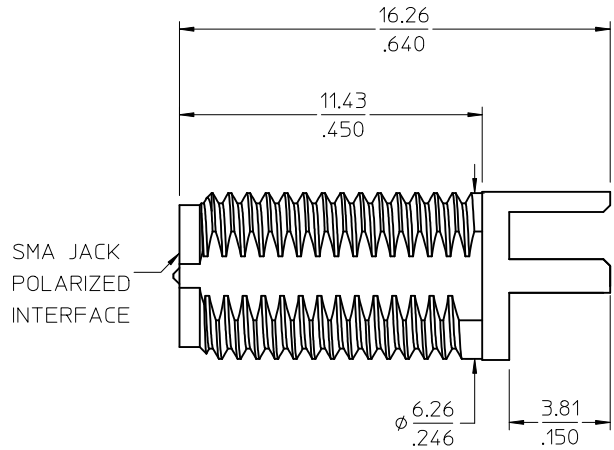
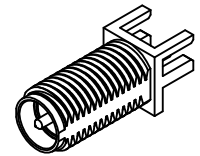


MATERIALS AND FINISHES

BODY: BRASS  
PLATED: GOLD

CENTER CONTACT: BRASS  
PLATED: GOLD

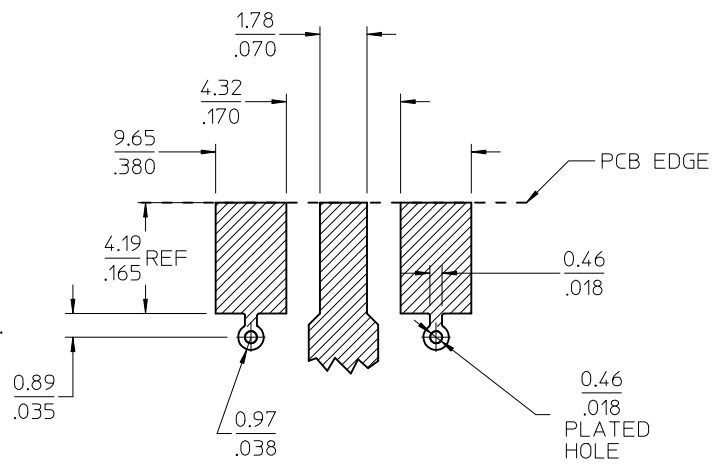
INSULATOR: TEFLON



RECOMMENDED PANEL CUTOUT

RECOMMENDED PAD LAYOUT

BASE WIDTH: 6.35(.250) NOM.  
BOARD THICKNESS: 1.57(.062) NOM.  
BOARD MATERIAL: FR4 W/1.0 OZ  
COPPER BOTH SIDES



PART # 73251-3150  
PACKAGING: BULK  
SEE SHEET TWO FOR OTHER PART NUMBERS

CHG: ADD -3152 EC NO: URF2012-0435 DRWN:JWIENER 2012/01/27 CHKD:SSS 2012/01/27 APPR:JWIENER 2012/01/31	DESCRIPTION REV	QUALITY SYMBOLS =0 =0	GENERAL TOLERANCES (UNLESS SPECIFIED)		DIMENSION STYLE	SCALE	DESIGN UNITS	THIRD ANGLE PROJECTION
			mm	INCH	MM/IN	INCH	INCH	
DRAWN BY: AZR DATE: 2007/01/31			4 PLACES ± --- ± ---		CHECKED BY: SSS DATE: 2007/01/31	TITLE: SMA JACK POLARIZED EDGE MOUNT, .062 PCB, 50 OHM SMA-J/PCB, EWR-3281		
APPROVED BY: JWIENER DATE: 2010/10/27			3 PLACES ± --- ± ---		APPROVED BY: JWIENER DATE: 2010/10/27		MOLEX MOLEX INCORPORATED	
MATERIAL NO. SEE TABLE			2 PLACES ± --- ± ---		DOCUMENT NO. SD-73251-315		SHEET NO. 1 OF 2	
DRAFT WHERE APPLICABLE MUST REMAIN WITHIN DIMENSIONS			1 PLACE ± --- ± ---		SIZE C THIS DRAWING CONTAINS INFORMATION THAT IS PROPRIETARY TO MOLEX INCORPORATED AND SHOULD NOT BE USED WITHOUT WRITTEN PERMISSION			
ANGULAR ± 2 °								

MATERIALS AND FINISHES

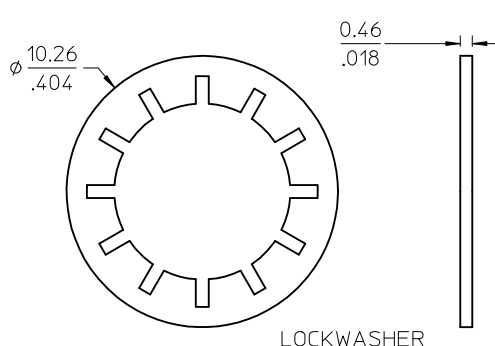
BODY: BRASS  
PLATED: GOLD

CENTER CONTACT: BRASS  
PLATED: GOLD

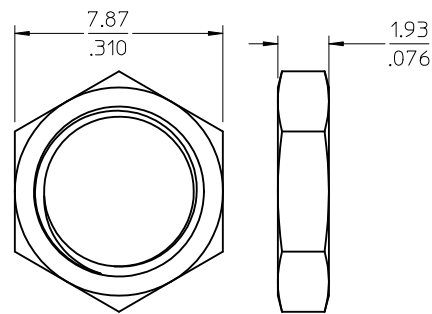
INSULATOR: TEFLON

JAM NUT: BRASS  
PLATED: GOLD

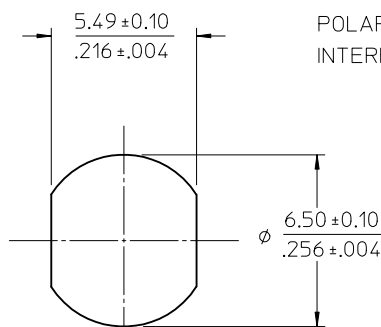
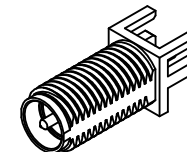
LOCKWASHER: PHOSPHOR BRONZE  
PLATED: GOLD



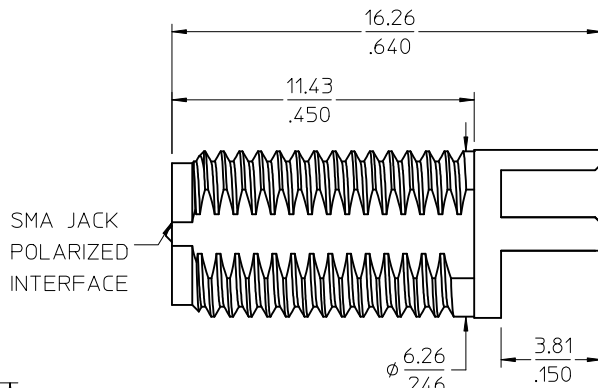
LOCKWASHER



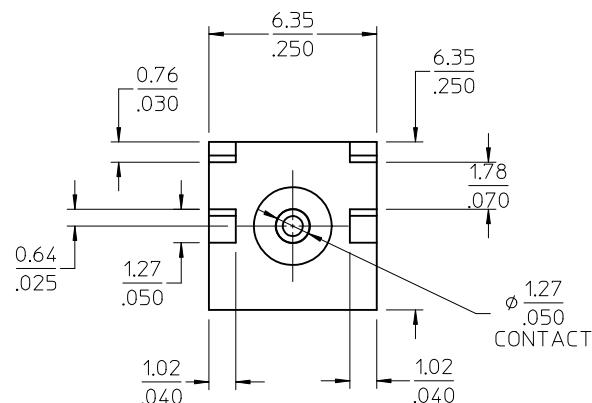
JAM NUT



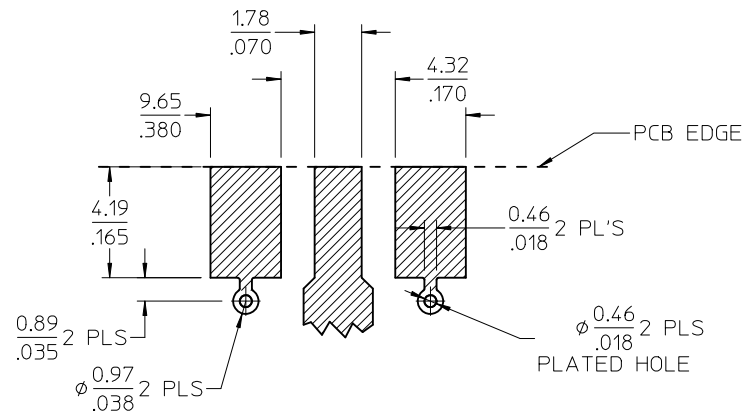
RECOMMENDED PANEL CUTOUT



SMA JACK  
POLARIZED  
INTERFACE



1.27  
.050  
CONTACT



PCB EDGE

0.46  
.018 2 PL'S  
PLATED HOLE

RECOMMENDED PAD LAYOUT

BASE WIDTH: 6.35(.250) NOM.  
BOARD THICKNESS: 1.57(.062) NOM.  
BOARD MATERIAL: FR4 W/1.0 OZ  
COPPER BOTH  
SIDES

73251-3152	ONE PER BAG
73251-3151	BULK
PART NO.	PACKAGING

CHG: SEE SHEET 1	REV	A1
	DESCRIPTION	
	APPR: JWIENER	2012/01/31
	CHKD: SSS	2012/01/27
DRWN: JWIENER	2012/01/27	
EC NO: URF2012-0435		

QUALITY SYMBOLS	▽=0
	▽=0

GENERAL TOLERANCES (UNLESS SPECIFIED)	
	mm INCH
4 PLACES ±	±
3 PLACES ±	±
2 PLACES ±	±
1 PLACE ±	±
ANGULAR ±	2 °
DRAFT WHERE APPLICABLE	MUST REMAIN WITHIN DIMENSIONS

DIMENSION STYLE	MM/IN
DRAWN BY	DATE
CHECKED BY	DATE
APPROVED BY	DATE
MATERIAL NO.	SEE TABLE
DOCUMENT NO.	SD-73251-315
SHEET NO.	2 OF 2

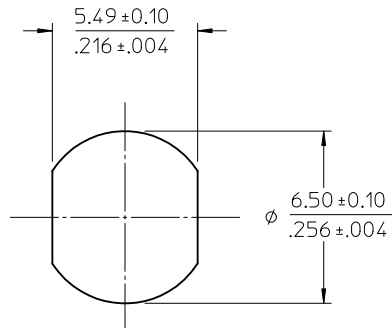
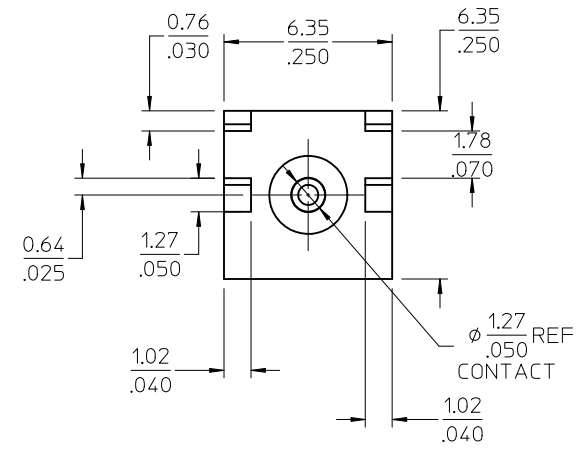
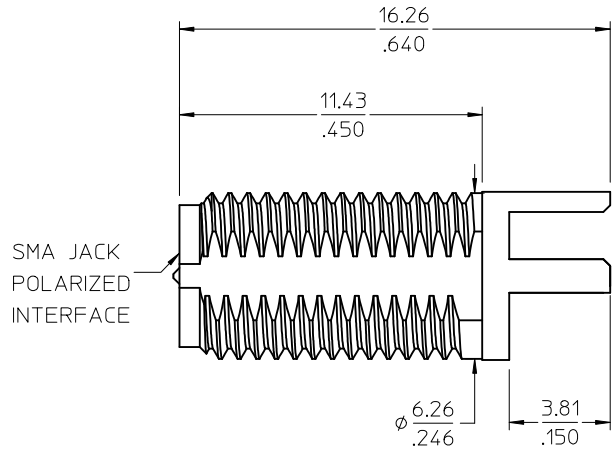
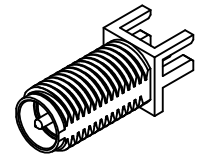
SCALE	DESIGN UNITS	THIRD ANGLE PROJECTION
	INCH	
TITLE		
SMA JACK POLARIZED EDGE MOUNT, .062 PCB, 50 OHM SMA-J/PCB, EWR-3281		
MOLEX INCORPORATED		

MATERIALS AND FINISHES

BODY: BRASS  
PLATED: GOLD

CENTER CONTACT: BRASS  
PLATED: GOLD

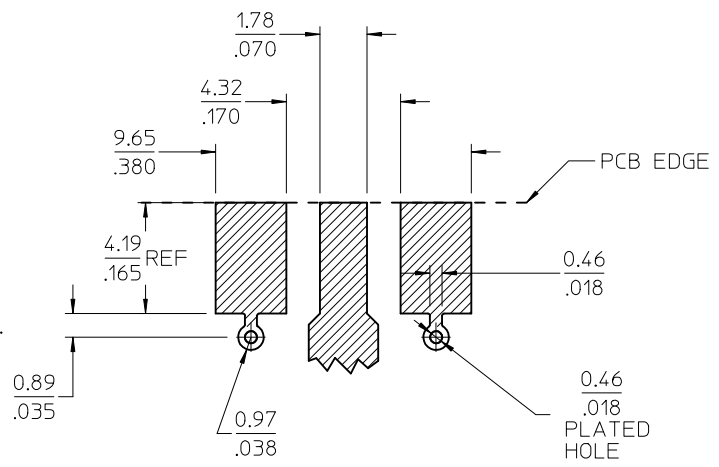
INSULATOR: TEFLON



RECOMMENDED PANEL CUTOUT

RECOMMENDED PAD LAYOUT

BASE WIDTH: 6.35(.250) NOM.  
BOARD THICKNESS: 1.57(.062) NOM.  
BOARD MATERIAL: FR4 W/1.0 OZ  
COPPER BOTH SIDES



PART # 73251-3150  
PACKAGING: BULK  
SEE SHEET TWO FOR OTHER PART NUMBERS

CHG: ADD -3152 EC NO: URF2012-0435 DRWN:JWIENER 2012/01/27 CHKD:SSS 2012/01/27 APPR:JWIENER 2012/01/31	DESCRIPTION REV	QUALITY SYMBOLS =0 =0	GENERAL TOLERANCES (UNLESS SPECIFIED)		DIMENSION STYLE	SCALE	DESIGN UNITS	THIRD ANGLE PROJECTION
			mm	INCH	MM/IN	INCH	INCH	
DRAWN BY: AZR DATE: 2007/01/31			4 PLACES ± --- ± ---		TITLE: SMA JACK POLARIZED EDGE MOUNT, .062 PCB, 50 OHM SMA-J/PCB, EWR-3281			
CHECKED BY: SSS DATE: 2007/01/31			3 PLACES ± --- ± ---		MOLEX MOLEX INCORPORATED			
APPROVED BY: JWIENER DATE: 2010/10/27			2 PLACES ± --- ± ---		MATERIAL NO. SD-73251-315			
ANGULAR ± 2 °			1 PLACE ± --- ± ---		DOCUMENT NO. SD-73251-315			
DRAFT WHERE APPLICABLE MUST REMAIN WITHIN DIMENSIONS			SEE TABLE		SHEET NO. 1 OF 2			
SIZE C			THIS DRAWING CONTAINS INFORMATION THAT IS PROPRIETARY TO MOLEX INCORPORATED AND SHOULD NOT BE USED WITHOUT WRITTEN PERMISSION					

MATERIALS AND FINISHES

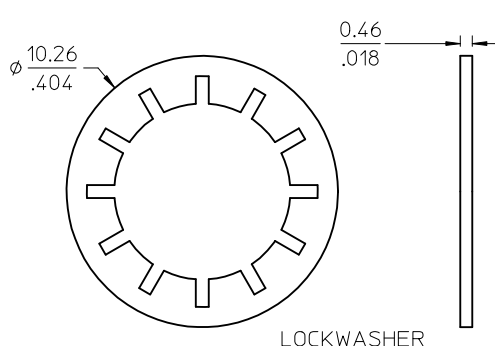
BODY: BRASS  
PLATED: GOLD

CENTER CONTACT: BRASS  
PLATED: GOLD

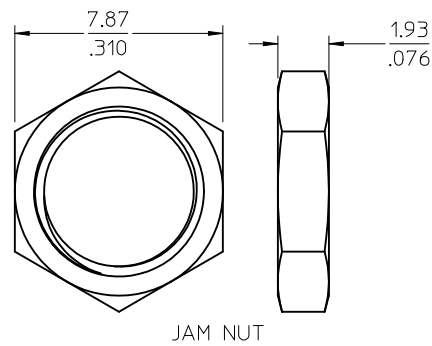
INSULATOR: TEFLON

JAM NUT: BRASS  
PLATED: GOLD

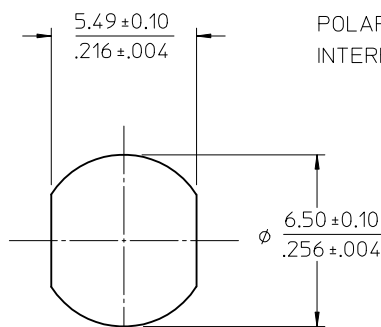
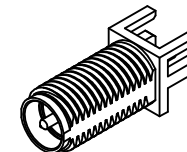
LOCKWASHER: PHOSPHOR BRONZE  
PLATED: GOLD



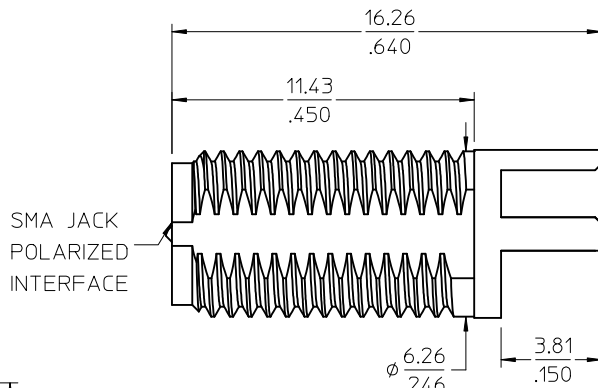
LOCKWASHER



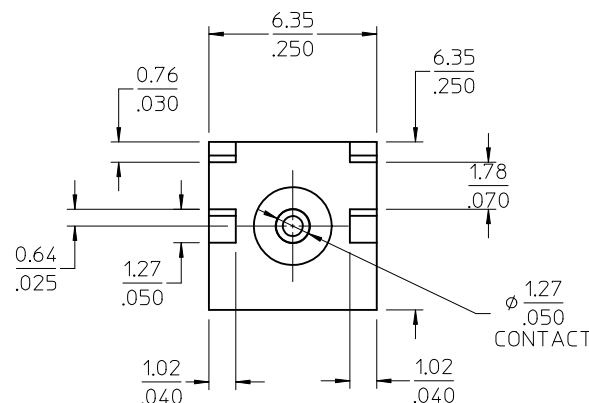
JAM NUT



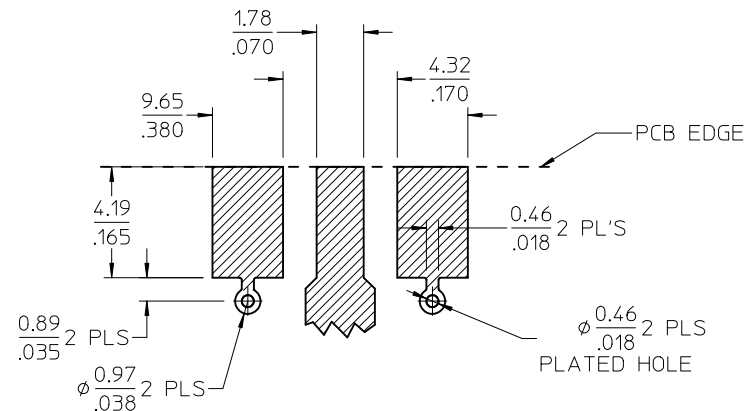
RECOMMENDED PANEL CUTOUT



SMA JACK  
POLARIZED  
INTERFACE



1.27  
.050  
CONTACT



PCB EDGE

0.46 ± .018 2 PL'S  
PLATED HOLE

RECOMMENDED PAD LAYOUT

BASE WIDTH: 6.35(.250) NOM.  
BOARD THICKNESS: 1.57(.062) NOM.  
BOARD MATERIAL: FR4 W/1.0 OZ  
COPPER BOTH  
SIDES

73251-3152	ONE PER BAG
73251-3151	BULK
PART NO.	PACKAGING

CHG: SEE SHEET 1 EC NO: URF2012-0435 DRWN: JWIENER 2012/01/27 CHKD: SSS 2012/01/27 APPR: JWIENER 2012/01/31	QUALITY SYMBOLS ▽=0 ▽=0	GENERAL TOLERANCES (UNLESS SPECIFIED) <table border="1"> <tr> <th></th> <th>mm</th> <th>INCH</th> </tr> <tr> <td>4 PLACES ±</td> <td>---</td> <td>---</td> </tr> <tr> <td>3 PLACES ±</td> <td>---</td> <td>---</td> </tr> <tr> <td>2 PLACES ±</td> <td>---</td> <td>---</td> </tr> <tr> <td>1 PLACE ±</td> <td>---</td> <td>---</td> </tr> </table> ANGULAR ± 2 °		mm	INCH	4 PLACES ±	---	---	3 PLACES ±	---	---	2 PLACES ±	---	---	1 PLACE ±	---	---	DIMENSION STYLE MM/IN DRAWN BY: AZR DATE: 2007/01/31 CHECKED BY: SSS DATE: 2007/01/31 APPROVED BY: JWIENER DATE: 2010/10/27	SCALE: INCH DESIGN UNITS: INCH THIRD ANGLE PROJECTION	TITLE: SMA JACK POLARIZED EDGE MOUNT, .062 PCB, 50 OHM SMA-J/PCB, EWR-3281 MOLEX INCORPORATED	DOCUMENT NO: SD-73251-315 SHEET NO: 2 OF 2
				mm	INCH																
4 PLACES ±	---	---																			
3 PLACES ±	---	---																			
2 PLACES ±	---	---																			
1 PLACE ±	---	---																			
DRAFT WHERE APPLICABLE MUST REMAIN WITHIN DIMENSIONS	MATERIAL NO. SEE TABLE SIZE: C																				

## X-ON Electronics

Largest Supplier of Electrical and Electronic Components

*Click to view similar products for [RF Connectors / Coaxial Connectors](#) category:*

*Click to view products by [Molex](#) manufacturer:*

Other Similar products are found below :

[8915-1511-000](#) [89674-0827](#) [6001-7071-019](#) [6002-7051-003](#) [6002-7551-202](#) [6059674-1](#) [619550-1](#) [630059-000](#) [M39030/3-01N](#) [6500-7071-046](#) [6769](#) [CX050L2AQ](#) [7002-1542-011](#) [7004-1512-000](#) [7009-1511-004](#) [7010-1511-000](#) [7029-1511-060](#) [7101-1541-010](#) [7101-1571-002](#) [7105-1521-002](#) [7145-1521-002](#) [7203-1571-003](#) [7209-1511-011](#) [7210-1511-015](#) [7210-1511-019](#) [73137-5015](#) [73216-2241](#) [73404-2300](#) [7405-1521-005](#) [7405-1521-802](#) [8527](#) [8547](#) [FS11V](#) [8808-1511-001](#) [9049-9513-000](#) [9074-9513-000](#) [9101-9573-002](#) [910A205F](#) [9130-9573-002](#) [PL11SC-026](#) [PL375-33](#) [PL40-5](#) [PL74C-221](#) [PL75MC-217](#) [PL803-7](#) [980-8666-005](#) [1200690078](#) [1-201144-1](#) [R107003010W](#) [R110A172100](#)