

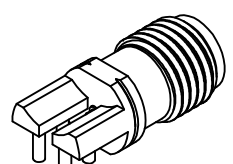
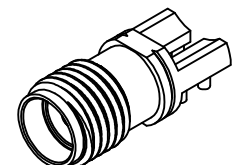
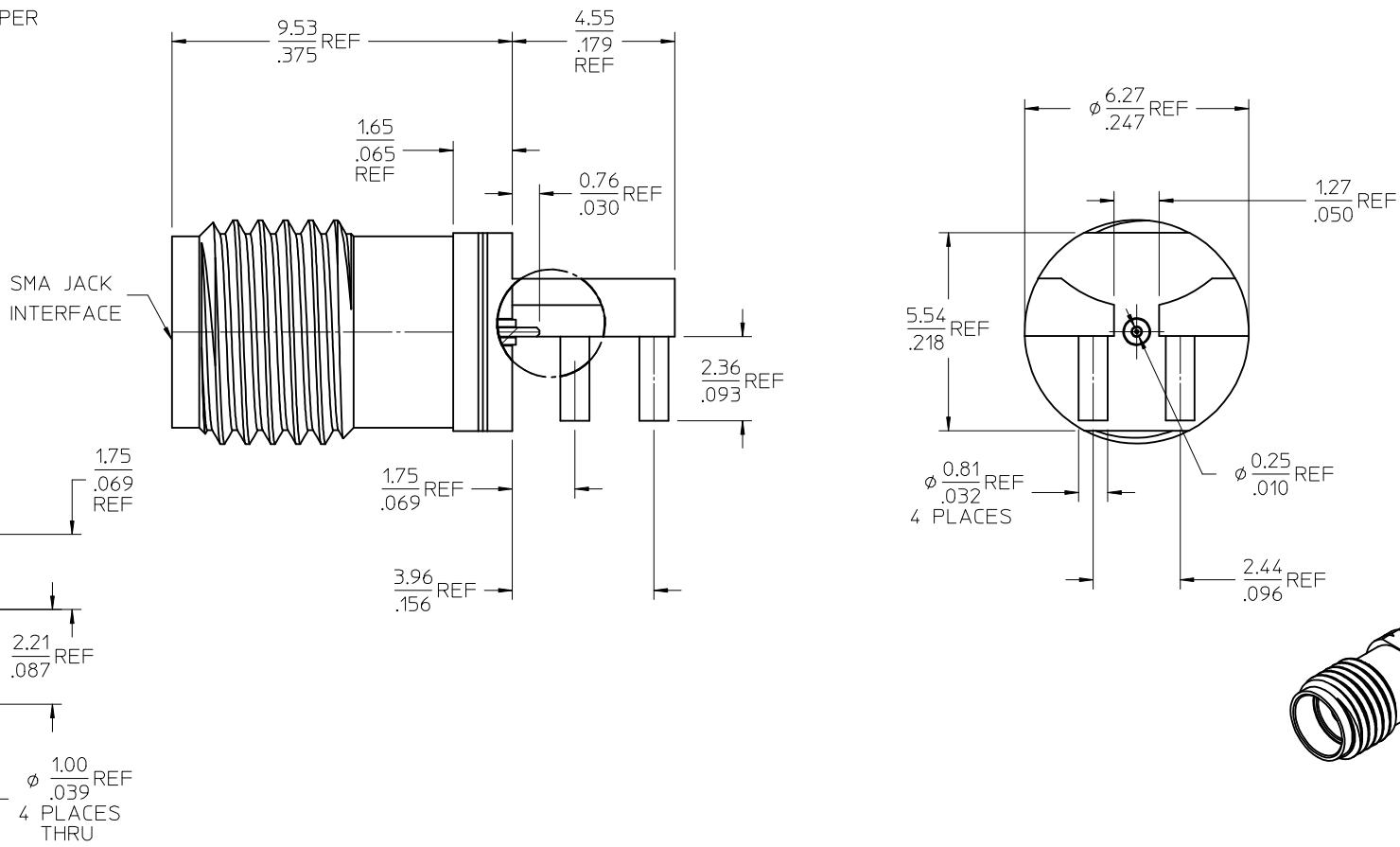
MATERIALS AND FINISHES

BODY BRASS
PLATED SEE TABLE

CENTER CONTACT BERYLLIUM COPPER
PLATED GOLD

INSULATOR TEFLON

COUPLING PROOF TORQUE:
0.90 N-m(8 IN-LB) MAXIMUM
WITH SUPPORT WRENCH



RECOMMENDED PCB LAYOUT

PS-89675-3670	PRODUCT SPECIFICATION
MIL-STD-348A, FIG. 310.2	INTERFACE
SPECIFICATION	DESCRIPTION

73251-3461	NICKEL
73251-3460	GOLD
PART NO.	PLATING/FINISH

CHG: UPDATE VIEW FOR INSULATOR LENGTH	
EC NO: URF2009-0550	2009/03/24
DRWN: WIENER	2009/03/24
CHKD: SHAH	2009/03/24
APPR: WIENER	2009/03/24
REV	DESCRIPTION
C1	

QUALITY SYMBOLS	$\nabla=0$ $\nabla=0$															
GENERAL TOLERANCES (UNLESS SPECIFIED)	<table border="1"> <tr> <th></th> <th>mm</th> <th>INCH</th> </tr> <tr> <td>4 PLACES</td> <td>± .15</td> <td>± .005</td> </tr> <tr> <td>3 PLACES</td> <td>± .10</td> <td>± .003</td> </tr> <tr> <td>2 PLACES</td> <td>± .075</td> <td>± .002</td> </tr> <tr> <td>1 PLACE</td> <td>± .05</td> <td>± .001</td> </tr> </table>		mm	INCH	4 PLACES	± .15	± .005	3 PLACES	± .10	± .003	2 PLACES	± .075	± .002	1 PLACE	± .05	± .001
	mm	INCH														
4 PLACES	± .15	± .005														
3 PLACES	± .10	± .003														
2 PLACES	± .075	± .002														
1 PLACE	± .05	± .001														
ANGULAR	± 2 °															
DRAFT WHERE APPLICABLE	MUST REMAIN WITHIN DIMENSIONS															

DIMENSION STYLE		SCALE	DESIGN UNITS	THIRD ANGLE PROJECTION
MM/IN			METRIC	
DRAWN BY	DATE	TITLE		
SSS	2008/06/13	SMA JACK, PCB, EDGEMOUNT		
CHECKED BY	DATE	50 OHMS, EWR3652		
AZR	2008/06/13	SMA-J/PCB		
APPROVED BY	DATE	MOLEX INCORPORATED		
JDW	2008/06/13	MATERIAL NO. SEE TABLE		
DOCUMENT NO.		SD-73251-346		
SHEET NO.		1 OF 1		

THIS DRAWING CONTAINS INFORMATION THAT IS PROPRIETARY TO MOLEX INCORPORATED AND SHOULD NOT BE USED WITHOUT WRITTEN PERMISSION	
---	--

X-ON Electronics

Largest Supplier of Electrical and Electronic Components

Click to view similar products for [RF Connectors](#) / [Coaxial Connectors](#) category:

Click to view products by [Molex](#) manufacturer:

Other Similar products are found below :

[8915-1511-000](#) [89674-0827](#) [6001-7071-019](#) [6002-7051-003](#) [6002-7551-202](#) [6059674-1](#) [619550-1](#) [630059-000](#) [M39030/3-01N](#) [6500-7071-046](#) [6769](#) [CX050L2AQ](#) [7002-1542-011](#) [7004-1512-000](#) [7009-1511-004](#) [7010-1511-000](#) [7029-1511-060](#) [7101-1541-010](#) [7101-1571-002](#) [7105-1521-002](#) [7145-1521-002](#) [7203-1571-003](#) [7209-1511-011](#) [7210-1511-015](#) [7210-1511-019](#) [73137-5015](#) [73216-2241](#) [73404-2300](#) [7405-1521-005](#) [7405-1521-802](#) [8527](#) [8547](#) [FS11V](#) [8808-1511-001](#) [9049-9513-000](#) [9074-9513-000](#) [9101-9573-002](#) [910A205F](#) [9130-9573-002](#) [PL11SC-026](#) [PL375-33](#) [PL40-5](#) [PL74C-221](#) [PL75MC-217](#) [PL803-7](#) [980-8666-005](#) [1200690078](#) [1-201144-1](#) [R107003010W](#) [R110A172100](#)