

MATERIALS AND FINISHES

BODY, CRIMP TUBE: BRASS
PLATED SEE TABLE

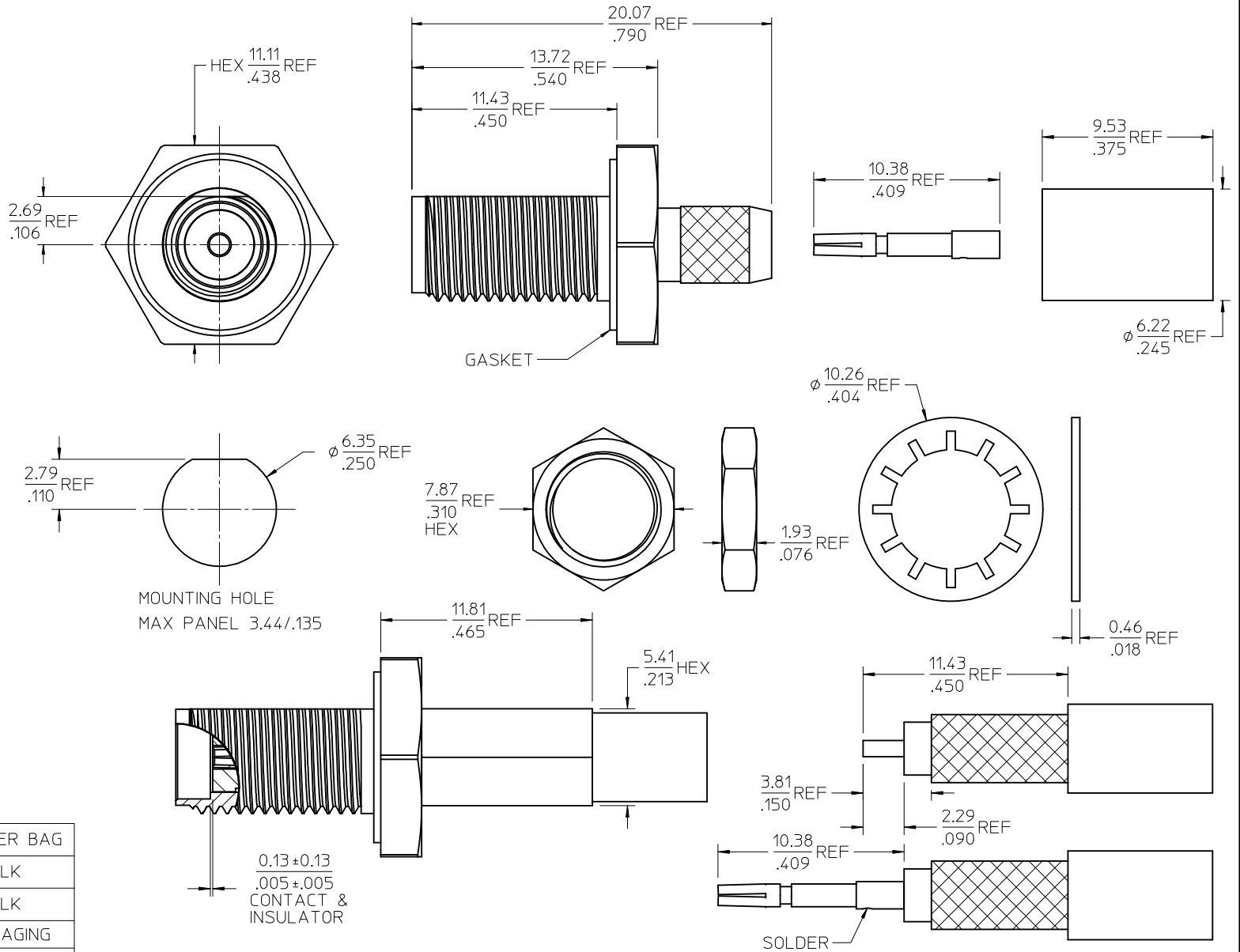
CENTER CONTACT: BERYLLIUM COPPER
PLATED GOLD

INSULATOR: TEFLON

JAM NUT: BRASS
PLATED SEE TABLE

LOCKWASHER: PHOSPHOR BRONZE
PLATED SEE TABLE

GASKET: SILICONE RUBBER



73251-3802	NICKEL	ONE PER BAG
73251-3801	GOLD	BULK
73251-3800	NICKEL	BULK
PART NO.	PLATING	PACKAGING

PS-89675-3460	PRODUCT SPECIFICATION
MIL-STD-348A, FIG. 310.2	INTERFACE
SPECIFICATION	DESCRIPTION

CHG: PS WAS
PS-89675-2900
ADDED -3802
ADDED PACKAGING
EC NO: URF2012-0435
DRWN: WIENER 2012/01/27
CHKD: SSS 2012/01/27
APPR: WIENER 2012/01/31

QUALITY SYMBOLS

 DESCRIPTION
 REV A1

GENERAL TOLERANCES (UNLESS SPECIFIED)

	mm	INCH
4 PLACES ±	---	±---
3 PLACES ±	---	±---
2 PLACES ±	---	±---
1 PLACE ±	---	±---

ANGULAR ± 2 °

DRAFT WHERE APPLICABLE
MUST REMAIN
WITHIN DIMENSIONS

DIMENSION STYLE
MM/IN

DRAWN BY	DATE
AZR	2009/05/28
CHECKED BY	DATE
SSS	2009/05/28
APPROVED BY	DATE
JDW	2009/05/28

MATERIAL NO.
SEE TABLE

SIZE C

SCALE
DESIGN UNITS
METRIC

THIRD ANGLE PROJECTION

TITLE
SMA JACK BULKHEAD
STRAIGHT FOR RG-58
SMA-JC/BLK, EWR-4115

MOLEX MOLEX INCORPORATED

DOCUMENT NO.
SD-73251-380

SHEET NO.
1 OF 1

THIS DRAWING CONTAINS INFORMATION THAT IS PROPRIETARY TO MOLEX INCORPORATED AND SHOULD NOT BE USED WITHOUT WRITTEN PERMISSION

X-ON Electronics

Largest Supplier of Electrical and Electronic Components

Click to view similar products for [RF Connectors / Coaxial Connectors](#) category:

Click to view products by [Molex](#) manufacturer:

Other Similar products are found below :

[8915-1511-000](#) [89674-0827](#) [6001-7071-019](#) [6002-7051-003](#) [6002-7551-202](#) [6059674-1](#) [619550-1](#) [630059-000](#) [M39030/3-01N](#) [6500-7071-046](#) [6769](#) [CX050L2AQ](#) [7002-1542-011](#) [7004-1512-000](#) [7009-1511-004](#) [7010-1511-000](#) [7029-1511-060](#) [7101-1541-010](#) [7101-1571-002](#) [7105-1521-002](#) [7145-1521-002](#) [7203-1571-003](#) [7209-1511-011](#) [7210-1511-015](#) [7210-1511-019](#) [73137-5015](#) [73216-2241](#) [73404-2300](#) [7405-1521-005](#) [7405-1521-802](#) [8527](#) [8547](#) [FS11V](#) [8808-1511-001](#) [9049-9513-000](#) [9074-9513-000](#) [9101-9573-002](#) [910A205F](#) [9130-9573-002](#) [PL11SC-026](#) [PL375-33](#) [PL40-5](#) [PL74C-221](#) [PL75MC-217](#) [PL803-7](#) [1200690078](#) [1-201144-1](#) [R107003010W](#) [R110A172100](#) [R112186000](#)