

MATERIALS AND FINISHES

COUPLING SLEEVE: BRASS  
PLATED NICKEL

BODY: BRASS  
PLATED TRI-M3

RETENTION CAP: BRASS  
PLATED TRI-M3

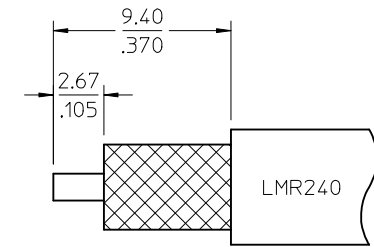
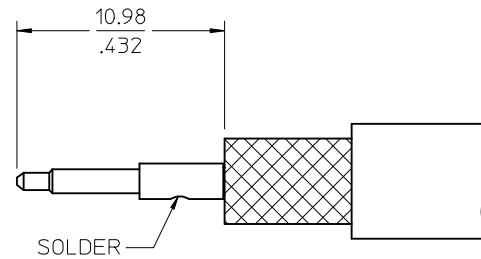
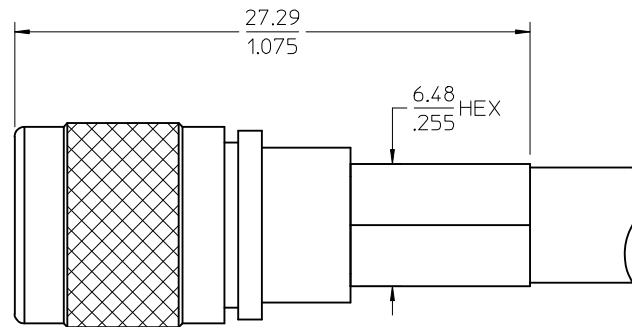
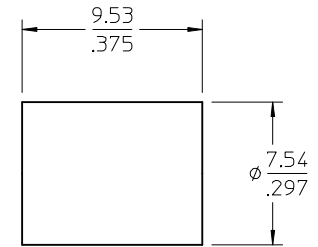
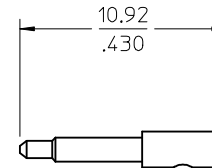
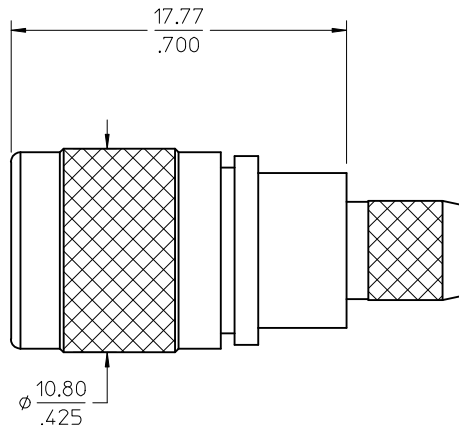
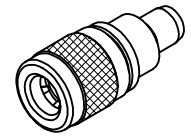
INSULATORS: TEFLON

RETENTION SPRING: STAINLESS STEEL  
PASSIVATED

GROUND SPRING: BERYLLIUM COPPER  
PLATED GOLD

CONTACT: BRASS  
PLATED GOLD

CRIMP TUBE: BRASS  
PLATED NICKEL



RECOMMENDED CABLE STRIP DIMENSION

73254-0071	ONE PER BAG
73254-0070	TRAY
PART NO	PACKAGING

CHG: UPDATE PACKAGING FOR 73254-0070 PER RF15-E211  
 EC NO: URF2015-0657  
 DRWNR: YEH  
 CHKD: B3  
 APPR: YCHENG  
 2015/05/25  
 2015/05/29

REV	DESCRIPTION

QUALITY SYMBOLS	
	=0
	=0
	=0

GENERAL TOLERANCES (UNLESS SPECIFIED)	
4 PLACES	± .005
3 PLACES	± .004
2 PLACES	± .003
1 PLACE	± .002
0 PLACE	± .001
ANGULAR ± 2 °	
DRAFT WHERE APPLICABLE MUST REMAIN WITHIN DIMENSIONS	

DIMENSION STYLE		SCALE	DESIGN UNITS	THIRD ANGLE PROJECTION
MM/IN		5:1	INCH	
DRAWN BY	DATE	TITLE		
SSS	2003/10/01	QMA PLUG STRAIGHT		
CHECKED BY	DATE	LMR240 50 OHM		
TEF	2003/10/01	QMA-PC, EWR-4121		
APPROVED BY	DATE	molex		
GMH	2003/10/01	DOCUMENT NO. SD-73254-007		
MATERIAL NO.		SHEET NO. 1 OF 1		
SIZE	SEE TABLE	THIS DRAWING CONTAINS INFORMATION THAT IS PROPRIETARY TO MOLEX INCORPORATED AND SHOULD NOT BE USED WITHOUT WRITTEN PERMISSION		

## X-ON Electronics

Largest Supplier of Electrical and Electronic Components

*Click to view similar products for [RF Connectors / Coaxial Connectors](#) category:*

*Click to view products by [Molex](#) manufacturer:*

Other Similar products are found below :

[8915-1511-000](#) [89674-0827](#) [6001-7071-019](#) [6002-7051-003](#) [6002-7551-202](#) [6059674-1](#) [619550-1](#) [630059-000](#) [M39030/3-01N](#) [6500-7071-046](#) [6769](#) [CX050L2AQ](#) [7002-1542-011](#) [7004-1512-000](#) [7009-1511-004](#) [7010-1511-000](#) [7029-1511-060](#) [7101-1541-010](#) [7101-1571-002](#) [7105-1521-002](#) [7145-1521-002](#) [7203-1571-003](#) [7209-1511-011](#) [7210-1511-015](#) [7210-1511-019](#) [73137-5015](#) [73216-2241](#) [73404-2300](#) [7405-1521-005](#) [7405-1521-802](#) [8527](#) [8547](#) [FS11V](#) [877931](#) [8808-1511-001](#) [9049-9513-000](#) [9074-9513-000](#) [9101-9573-002](#) [910A205F](#) [9130-9573-002](#) [PL11SC-026](#) [PL375-33](#) [PL40-5](#) [PL74C-221](#) [PL75MC-217](#) [PL803-7](#) [1200690078](#) [1-201144-1](#) [R107003010W](#) [R110A172100](#)