

MATERIALS AND FINISHES

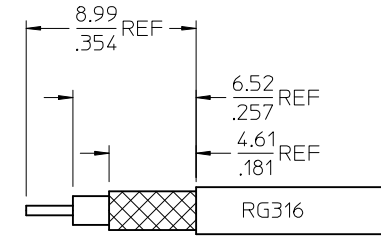
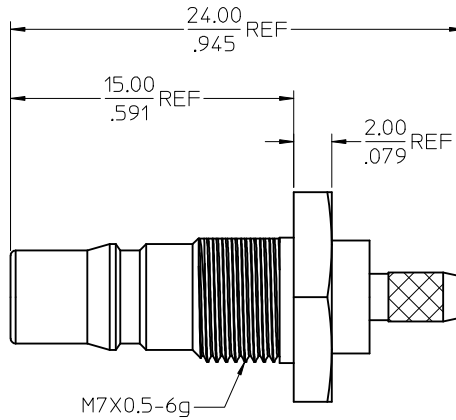
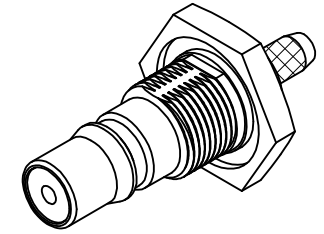
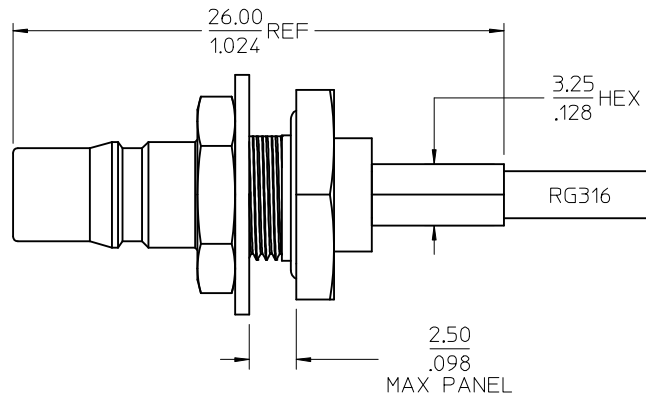
BODY: BRASS
PLATED TRI-METAL

CENTER CONTACT BERYLLIUM COPPER
PLATED GOLD

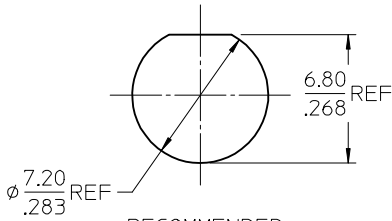
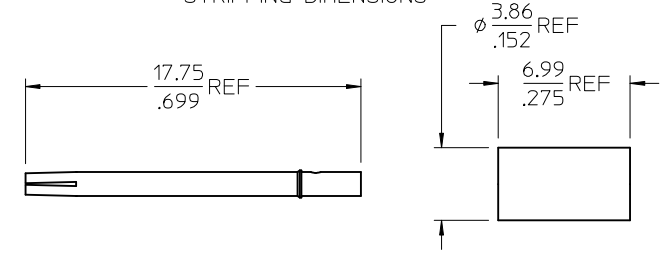
INSULATOR TEFLON

CRIMP TUBE, JAM NUT: BRASS
PLATED NICKEL

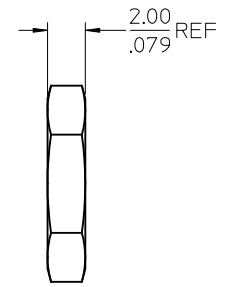
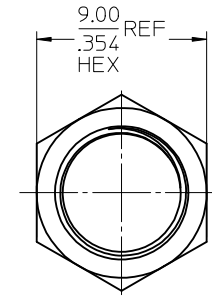
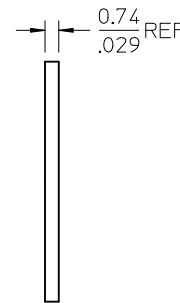
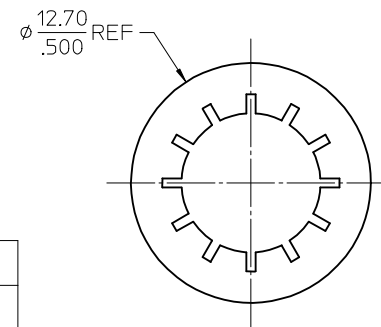
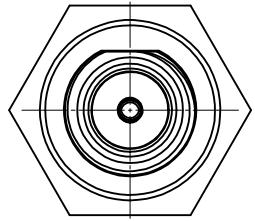
LOCKWASHER: PHOSPHER BRONZE
PLATED TRI-METAL



STRIPPING DIMENSIONS



RECOMMENDED
PANEL CUTOUT



73254-0101	ONE PIECE 73254-0100 PER BAG
73254-0100	TRAY
PART NO.	DESCRIPTION

CHG:	UPDATE PACKAGING	2015/05/25	QUALITY SYMBOLS	GENERAL TOLERANCES (UNLESS SPECIFIED)	DIMENSION STYLE	SCALE	DESIGN UNITS	THIRD ANGLE PROJECTION
	FOR 73254-0100			PER RF15-E213	mm	MM/IN	5:1	METRIC
EC NO:	URF2015-0659	2015/05/25	▽=0	4 PLACES ± --- ± ---	DRAWN BY	DATE	QMA JACK, RG316	
DRWR/YEH			▽=0	3 PLACES ± --- ± ---	TEF	2003/10/07	50 OHMS, EWR-2192	
CHKD:			▽=0	2 PLACES ± --- ± ---	CHECKED BY	DATE	QMA-JC	
APPR: YCHENG			▽=0	1 PLACE ± --- ± ---	SSS	2003/10/07	molex	
REV	B4			0 PLACE ± --- ± ---	APPROVED BY	DATE	DOCUMENT NO.	
				ANGULAR ± 2 °	GMH	2003/10/07	SD-73254-010	
				DRAFT WHERE APPLICABLE MUST REMAIN WITHIN DIMENSIONS	MATERIAL NO.		SHEET NO.	
					SEE TABLE		1 OF 1	
					SIZE	THIS DRAWING CONTAINS INFORMATION THAT IS PROPRIETARY TO MOLEX INCORPORATED AND SHOULD NOT BE USED WITHOUT WRITTEN PERMISSION		

MATERIALS AND FINISHES

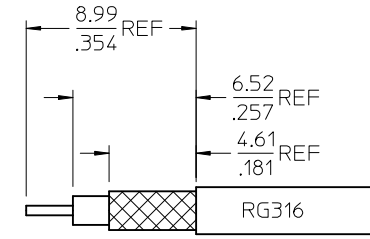
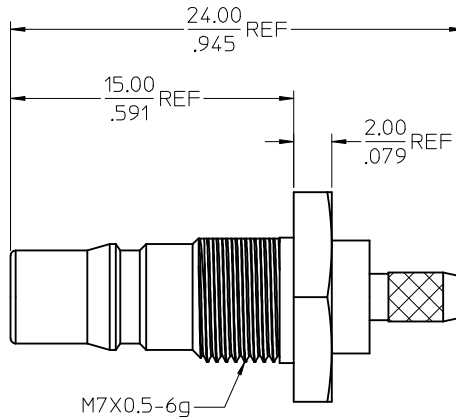
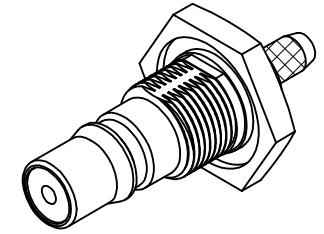
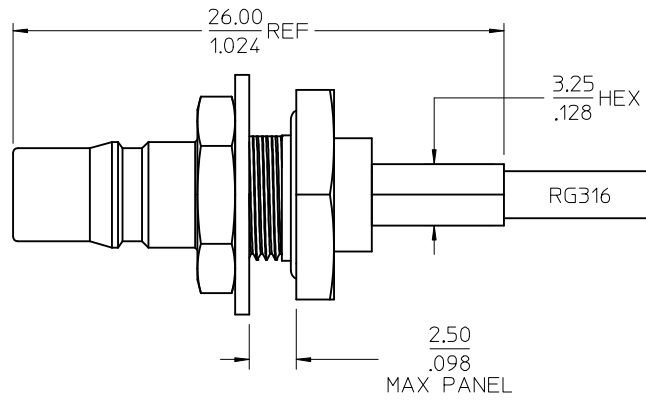
BODY: BRASS
PLATED TRI-METAL

CENTER CONTACT BERYLLIUM COPPER
PLATED GOLD

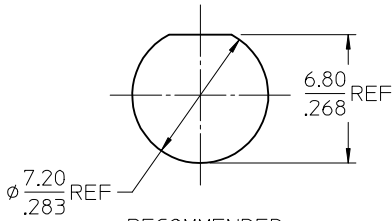
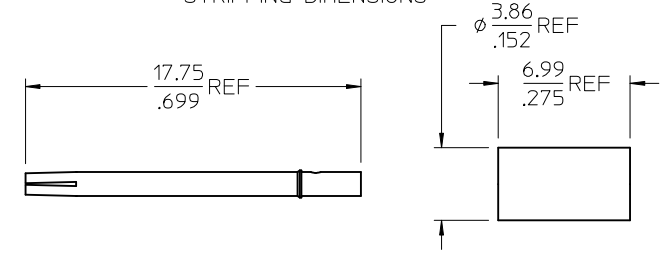
INSULATOR TEFLON

CRIMP TUBE, JAM NUT: BRASS
PLATED NICKEL

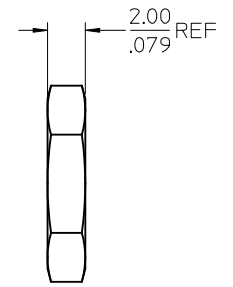
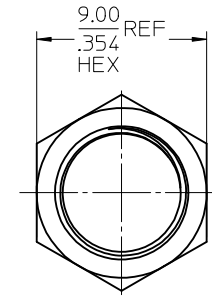
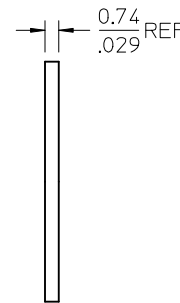
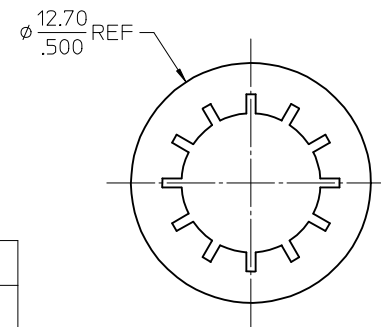
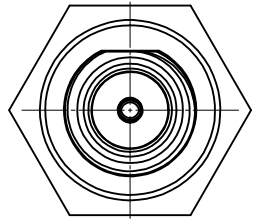
LOCKWASHER: PHOSPHER BRONZE
PLATED TRI-METAL



STRIPPING DIMENSIONS



RECOMMENDED
PANEL CUTOUT



73254-0101	ONE PIECE 73254-0100 PER BAG
73254-0100	TRAY
PART NO.	DESCRIPTION

CHG:	UPDATE PACKAGING	2015/05/25	QUALITY SYMBOLS	▽=0
	FOR 73254-0100			▽=0
EC NO:	URF2015-0659	2015/05/29	DESCRIPTION	▽=0
	DRW:RYEH			▽=0
CHKD:	YCHENG			
APPR:				
REV	B4			

GENERAL TOLERANCES (UNLESS SPECIFIED)	
mm	INCH
4 PLACES ±	±
3 PLACES ±	±
2 PLACES ±	±
1 PLACE ±	±
0 PLACE ±	±
ANGULAR ± 2 °	
DRAFT WHERE APPLICABLE MUST REMAIN WITHIN DIMENSIONS	

DIMENSION STYLE		SCALE		DESIGN UNITS		THIRD ANGLE PROJECTION	
MM/IN		5:1		METRIC		☉	
DRAWN BY	DATE	TITLE		QMA JACK, RG316 50 OHMS, EWR-2192 QMA-JC molex DOCUMENT NO. SD-73254-010 SHEET NO. 1 OF 1			
CHECKED BY	DATE	MATERIAL NO.					
APPROVED BY	DATE	SIZE					
MATERIAL NO.		SIZE					

DRAWN BY		DATE	
TEF	2003/10/07	TITLE	
CHECKED BY		DATE	
SSS	2003/10/07	APPROVED BY	
APPROVED BY		DATE	
GMH	2003/10/07	MATERIAL NO.	
MATERIAL NO.		SIZE	

DRAWN BY		DATE	
TEF	2003/10/07	TITLE	
CHECKED BY		DATE	
SSS	2003/10/07	APPROVED BY	
APPROVED BY		DATE	
GMH	2003/10/07	MATERIAL NO.	
MATERIAL NO.		SIZE	

X-ON Electronics

Largest Supplier of Electrical and Electronic Components

Click to view similar products for [RF Connectors / Coaxial Connectors](#) category:

Click to view products by [Molex](#) manufacturer:

Other Similar products are found below :

[8915-1511-000](#) [89674-0827](#) [6001-7071-019](#) [6002-7051-003](#) [6002-7551-202](#) [6059674-1](#) [619550-1](#) [630059-000](#) [M39030/3-01N](#) [6500-7071-046](#) [6769](#) [CX050L2AQ](#) [7002-1542-011](#) [7004-1512-000](#) [7009-1511-004](#) [7010-1511-000](#) [7029-1511-060](#) [7101-1541-010](#) [7101-1571-002](#) [7105-1521-002](#) [7145-1521-002](#) [7203-1571-003](#) [7209-1511-011](#) [7210-1511-015](#) [7210-1511-019](#) [73137-5015](#) [73216-2241](#) [73404-2300](#) [7405-1521-005](#) [7405-1521-802](#) [8527](#) [8547](#) [FS11V](#) [8808-1511-001](#) [9049-9513-000](#) [9074-9513-000](#) [9101-9573-002](#) [910A205F](#) [9130-9573-002](#) [PL11SC-026](#) [PL375-33](#) [PL40-5](#) [PL74C-221](#) [PL75MC-217](#) [PL803-7](#) [980-8666-005](#) [1200690078](#) [1-201144-1](#) [R107003010W](#) [R110A172100](#)