

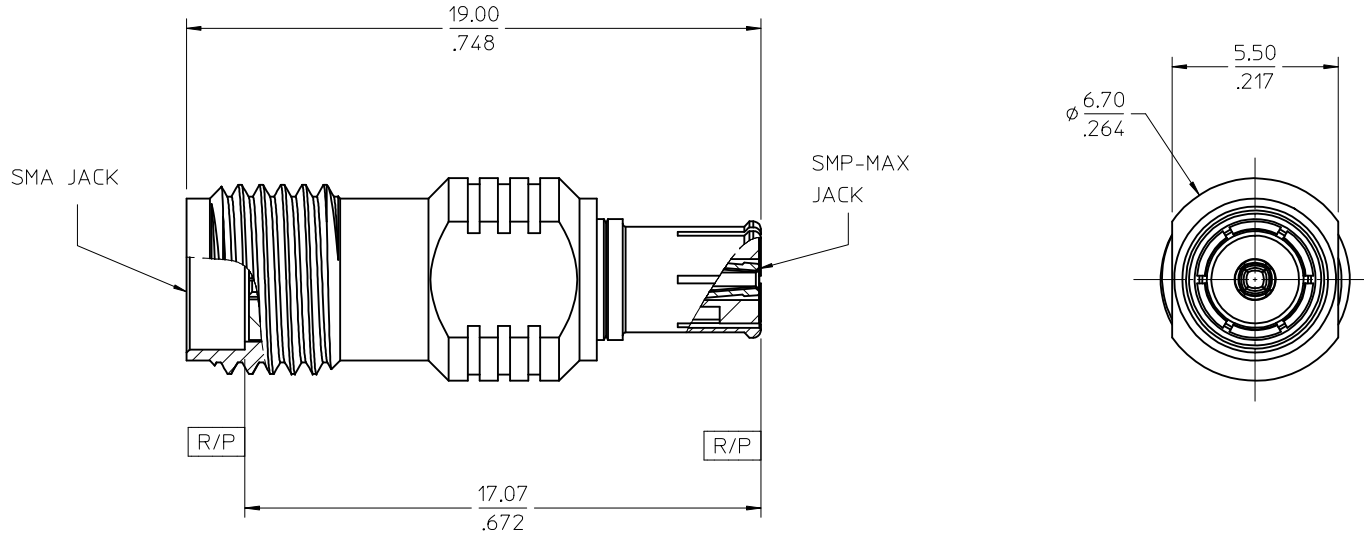
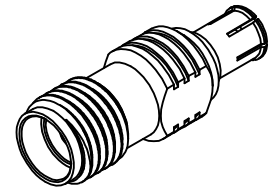
MATERIALS AND FINISHES

BODY: BRASS
PLATED GOLD

CENTER CONTACT: BERYLLIUM COPPER
PLATED GOLD

OUTER CONTACT: BERYLLIUM COPPER
PLATED GOLD

INSULATORS: TEFLON



73386-1560	ONE PER BAG
PART NO.	PACKAGING

MIL-STD-348A, FIG. 310.2	SMA INTERFACE
SPECIFICATION	DESCRIPTION

CHG: UPDATED PACKING PER RF15-E424	EC NO: URF2016-0467	DRWR:YEH	CHKD: 2015/11/30	APPR:YCHENG	2015/12/29
REV	DESCRIPTION	QUALITY SYMBOLS			
A3		▽=0			
		▽=0			
		▽=0			

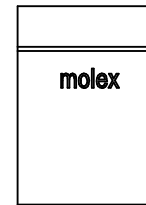
GENERAL TOLERANCES (UNLESS SPECIFIED)	
	mm INCH
4 PLACES	± .005 ± .0002
3 PLACES	± .005 ± .0002
2 PLACES	± .005 ± .0002
1 PLACE	± .005 ± .0002
0 PLACE	± .005 ± .0002
ANGULAR ± 2 °	
DRAFT WHERE APPLICABLE MUST REMAIN WITHIN DIMENSIONS	

DIMENSION STYLE	
MM/IN	
DRAWN BY	DATE
AROBERTSON	2011/02/14
CHECKED BY	DATE
SSS	2011/02/14
APPROVED BY	DATE
JWIENER	2011/07/19
MATERIAL NO.	
SEE TABLE	
SIZE	C

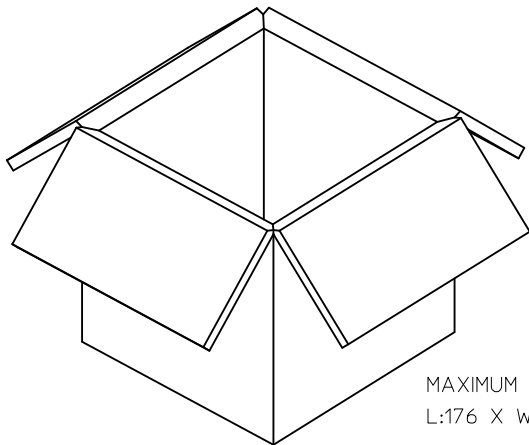
SCALE	DESIGN UNITS	THIRD ANGLE PROJECTION
8:1	INCH	☉
TITLE		
SMA JACK TO SMP-MAX JACK 50 OHM ADAPTER		
BSA-SMA/SMPMAX, EWR-4624		
molex		
DOCUMENT NO.	SHEET NO.	
SD-73386-156	1 OF 2	
THIS DRAWING CONTAINS INFORMATION THAT IS PROPRIETARY TO MOLEX INCORPORATED AND SHOULD NOT BE USED WITHOUT WRITTEN PERMISSION		



P/N: 73386-1560



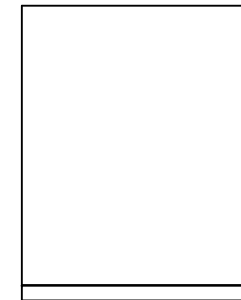
1 SET PER BAG
P/N: 89707-0317



MAXIMUM OUTSIDE SIZE
L:176 X W:173 X D:176



10 SETS PER OUTER
CARTON BOX
P/N: 96707-0005



10 SETS PER BAG
P/N: 89707-0001

CHG:SEE SHEET 1
EC NO: URF2016-0467
DRAWN:YEH 2015/11/30
CHKD:
APPR:YCHENG 2015/12/29

REV	DESCRIPTION	QUALITY SYMBOLS
A3		= 0
		= 0
		= 0

GENERAL TOLERANCES (UNLESS SPECIFIED)		
	mm	INCH
4 PLACES	± .005	± .0002
3 PLACES	± .005	± .0002
2 PLACES	± .005	± .0002
1 PLACE	± .005	± .0002
0 PLACE	± .005	± .0002
ANGULAR ± 2 °		
DRAFT WHERE APPLICABLE MUST REMAIN WITHIN DIMENSIONS		

DIMENSION STYLE	
MM/IN	DATE
DRAWN BY	AROBERTSON
CHECKED BY	SSS
APPROVED BY	JWIENER
MATERIAL NO.	SEE TABLE

SCALE	DESIGN UNITS	TITLE	SHEET NO.
1.5:1	INCH	SMA JACK TO SMP-MAX JACK 50 OHM ADAPTER BSA-SMA/SMPMAX, EWR-4624	2 OF 2
DOCUMENT NO.		SD-73386-156	

X-ON Electronics

Largest Supplier of Electrical and Electronic Components

Click to view similar products for [RF Adapters - Between Series](#) category:

Click to view products by [Molex](#) manufacturer:

Other Similar products are found below :

[5945-9503-000](#) [MCX/F-SMA/M](#) [R192417010](#) [ADBJ20-E1-BJ379](#) [ADM2](#) [ADPL75-A1-PL75](#) [242191](#) [9317505](#) [29-3835P](#) [AD130](#) [ADBJ20-E1-PL74](#) [ADBJ77-A1PL3155](#) [ADBJ77-E1-UPL20](#) [ADRMF370](#) [242190](#) [242215](#) [242228](#) [R125680000W](#) [R192430000](#) [UAD95](#) [1057367-1](#) [8311505](#) [R114704000](#) [R451034500](#) [R451030500](#) [R451543000](#) [HDVDPN](#) [ADBJ20-K1-PL20](#) [R451570000](#) [R192419000](#) [R451034000](#) [J9](#) [J3WE-5](#) [R451032500](#) [242201RP](#) [17K132-K00S5](#) [03K719-S22S3](#) [AD-RSMAF-RTNC](#) [53K156-K00N5](#) [53K160-KIMN1](#) [02K119-K00E3](#) [29S132-K01N5](#) [53S156-K00N5](#) [02S119-S00E3](#) [28K132-K00N5](#) [02S109-K00S3](#) [27-8200TP](#) [242235](#) [ADBJ20-E1-BJ89](#) [ADP-SMAF-MMCXM](#)