

MATERIALS AND FINISHES

N BODY BRASS
PLATED NICKEL (100u" MIN)

MCX BODY BRASS
PLATED GOLD (3u" MIN)

CENTER CONTACT BERYLLIUM COPPER
PLATED GOLD (30u" MIN)

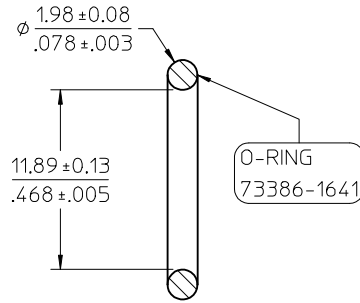
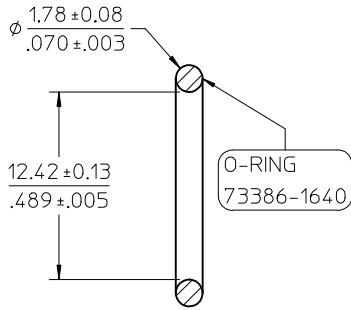
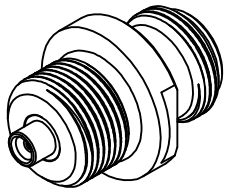
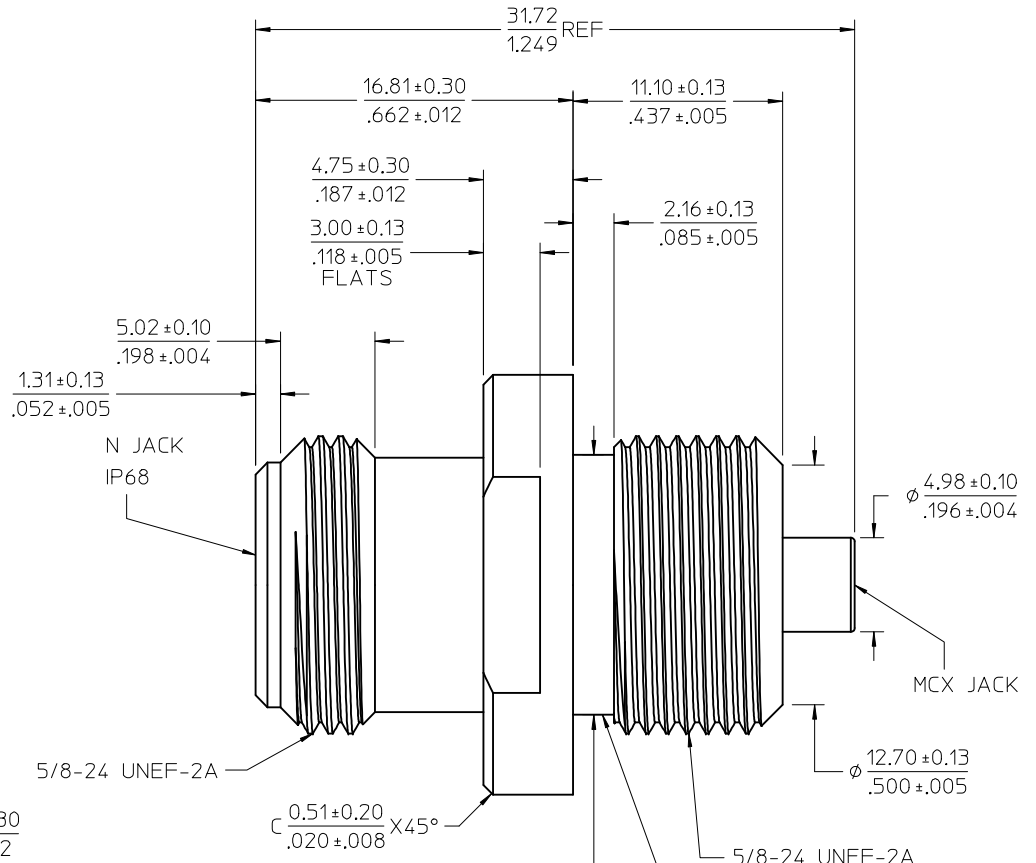
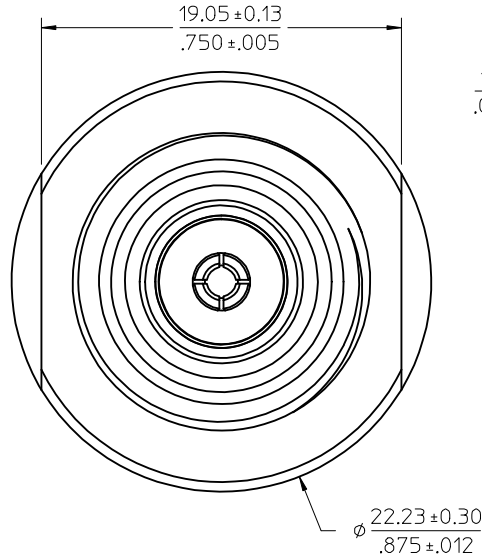
INSULATOR TEFLON

O-RING (73386-1640):
PIONEER MATERIAL PRECISION
MATERIAL, SILICONE RUBBER KE-971TU
DUROMETER 70
COLOR RED

TEMPERATURE RANGE: -55°C TO +165°C

O-RING (73386-1641):
APPLE RUBBER PRODUCTS
EPDM, 70 SHORE A, BLACK
-55°C TO +150°C
COMPOUND: 18EP7AP

ELECTRICAL:
IMPEDANCE: 50 OHM
FREQUENCY RANGE: DC-6GHZ
VSWR (RL): 1.30 (17.7dB) MAX
INSERTION LOSS: 0.20dB MAX
DWB: 1000 VRMS MIN



O-RING SHOWN LOOSE
BUT WILL BE INSTALLED
HERE FOR SHIPMENT

73386-1641	EPDM CUSTOM
73386-1640	STANDARD
PART NO.	O-RING

CHGO-RING MATERIAL NOTE REVISE EWR RF15-E092	EC NO: URF2015-0307 DRWN: YCHENG 2014/12/19 CHKD: APPR: YCHENG 2015/06/09	DESCRIPTION REV	QUALITY SYMBOLS	GENERAL TOLERANCES (UNLESS SPECIFIED) mm INCH 4 PLACES ± --- ± --- 3 PLACES ± --- ± --- 2 PLACES ± --- ± --- 1 PLACE ± --- ± --- ANGULAR ± 2 °	DIMENSION STYLE MM/IN DRAWN BY DATE JWIENER 2012/11/05 CHECKED BY DATE SSS 2012/11/21 APPROVED BY DATE JWIENER 2012/11/21	SCALE DESIGN UNITS METRIC	THIRD ANGLE PROJECTION	TITLE N JACK BK FM TO MCX JACK ADAPTER 50 OHM EWR-5067 BSA-N/MCX	MOLEX INCORPORATED	MATERIAL NO. DOCUMENT NO. SD-73386-164	SHEET NO. 1 OF 1
			▽=0 ▽=0								
			DRAFT WHERE APPLICABLE MUST REMAIN WITHIN DIMENSIONS								
			SEE TABLE								

X-ON Electronics

Largest Supplier of Electrical and Electronic Components

Click to view similar products for [RF Adapters - Between Series](#) category:

Click to view products by [Molex](#) manufacturer:

Other Similar products are found below :

[5945-9503-000](#) [MCX/F-SMA/M](#) [R192417010](#) [ADBJ20-E1-BJ379](#) [ADM2](#) [ADPL75-A1-PL75](#) [242191](#) [9317505](#) [29-3835P](#) [AD130](#) [ADBJ20-E1-PL74](#) [ADBJ77-A1PL3155](#) [ADBJ77-E1-UPL20](#) [ADRMF370](#) [242190](#) [242215](#) [242228](#) [R125680000W](#) [R192430000](#) [UAD95](#) [1057367-1](#) [8311505](#) [R114704000](#) [R451034500](#) [R451030500](#) [R451543000](#) [HDVDPN](#) [ADBJ20-K1-PL20](#) [R451570000](#) [R192419000](#) [R451034000](#) [J9](#) [J3WE-5](#) [R451032500](#) [242201RP](#) [17K132-K00S5](#) [03K719-S22S3](#) [AD-RSMAF-RTNC](#) [53K156-K00N5](#) [53K160-KIMN1](#) [02K119-K00E3](#) [29S132-K01N5](#) [53S156-K00N5](#) [02S119-S00E3](#) [28K132-K00N5](#) [02S109-K00S3](#) [27-8200TP](#) [242235](#) [ADBJ20-E1-BJ89](#) [ADP-SMAF-MMCXM](#)