

MATERIALS AND FINISHES:

BODY BRASS  
PLATED NICKEL

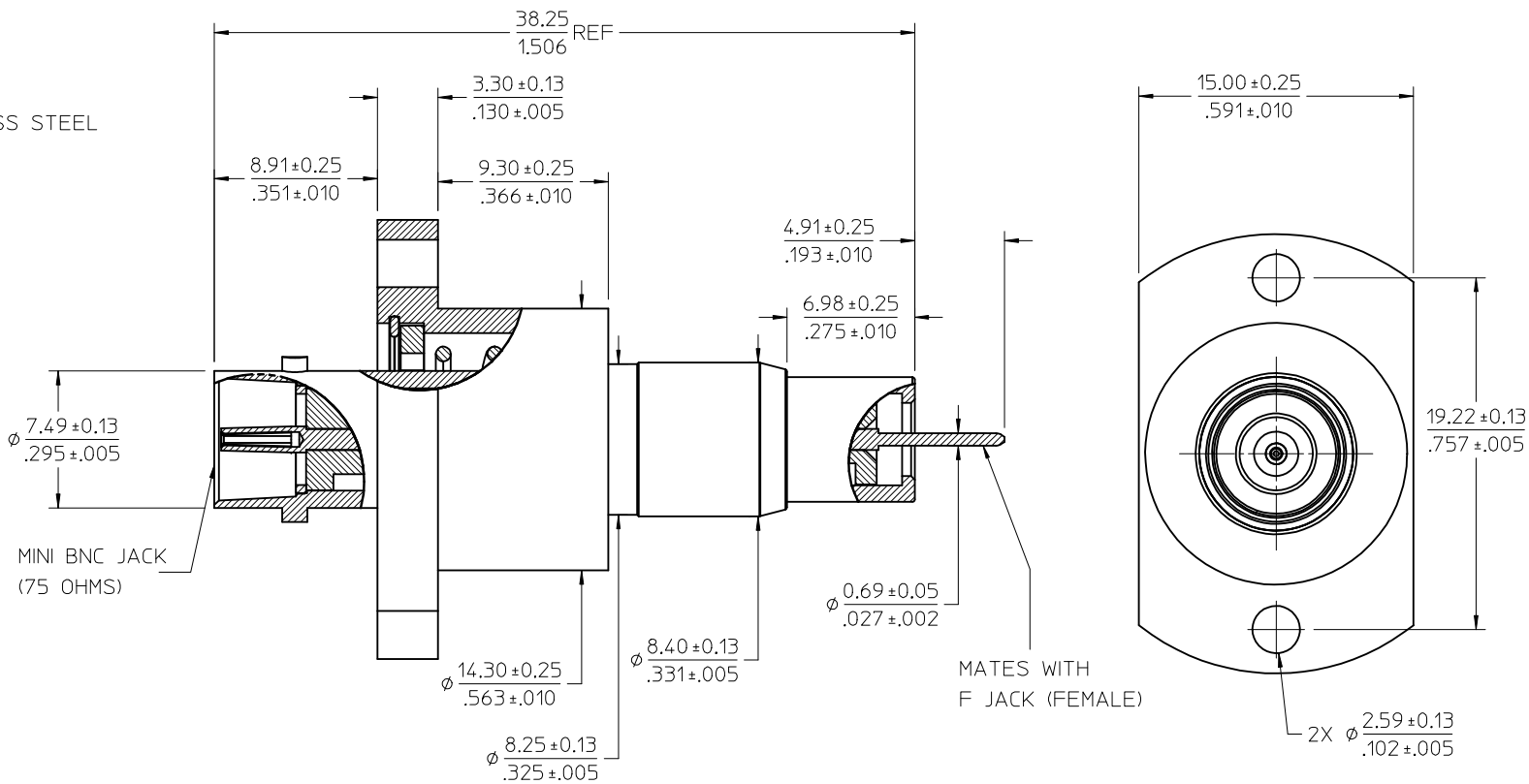
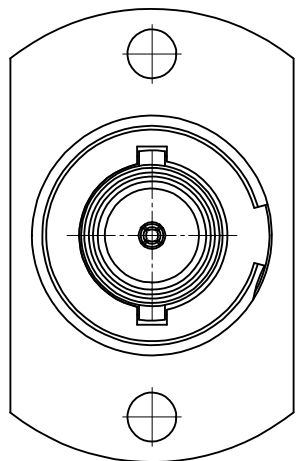
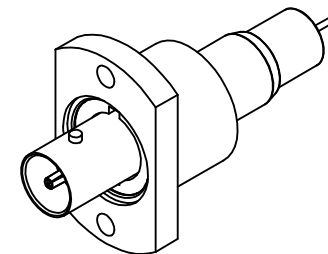
FLANGE BODY, SPACER, CAP STAINLESS STEEL  
PASSIVATED

CENTER CONTACT PHOSPHOR BRONZE  
PLATED GOLD

RETAINING RING BRASS  
PLATED NICKEL

INSULATOR TEFLON

SPRING SPRING STEEL/STAINLESS STEEL  
PLATED NICKEL



PART # 73386-1670

CHG: UPDATED BODY AND SPACER EC NO: URF2014-0064 DRW:SSHAN 2013/07/24 CHKD:ROBERTSON 2013/07/24 APPR:WIENER	DESCRIPTION REV	QUALITY SYMBOLS ▽=0 ▽=0 ▽=0	GENERAL TOLERANCES (UNLESS SPECIFIED)		DIMENSION STYLE	SCALE	DESIGN UNITS	THIRD ANGLE PROJECTION	
			mm	INCH	MM/IN	METRIC			
			4 PLACES	± ---	± ---	DRAWN BY	DATE	TITLE	
			3 PLACES	± ---	± ---	SSHAN	2013/04/12	BSA F PUSH ON PLUG TO MINI BNC JACK STR 75 OHM	
			2 PLACES	± ---	± ---	CHECKED BY	DATE	EWR-5142 BSA-J/MINIBNC	
			1 PLACE	± ---	± ---	AROBERTSON	2013/05/01	<b>molex</b>	
			0 PLACE	± ---	± ---	APPROVED BY	DATE		
			ANGULAR ± 2 °		MATERIAL NO.	DOCUMENT NO.		SHEET NO.	
			DRAFT WHERE APPLICABLE MUST REMAIN WITHIN DIMENSIONS		733861670	SD-73386-167		1 OF 1	
					SIZE	THIS DRAWING CONTAINS INFORMATION THAT IS PROPRIETARY TO MOLEX INCORPORATED AND SHOULD NOT BE USED WITHOUT WRITTEN PERMISSION			

## X-ON Electronics

Largest Supplier of Electrical and Electronic Components

*Click to view similar products for [RF Adapters - Between Series](#) category:*

*Click to view products by [Molex](#) manufacturer:*

Other Similar products are found below :

[5945-9503-000](#) [MCX/F-SMA/M](#) [R192417010](#) [ADBJ20-E1-BJ379](#) [ADM2](#) [ADPL75-A1-PL75](#) [242191](#) [9317505](#) [29-3835P](#) [AD130](#) [ADBJ20-E1-PL74](#) [ADBJ77-A1PL3155](#) [ADBJ77-E1-UPL20](#) [ADRMF370](#) [242190](#) [242215](#) [242228](#) [R125680000W](#) [R192430000](#) [UAD95](#) [1057367-1](#) [8311505](#) [R114704000](#) [R451034500](#) [R451030500](#) [R451543000](#) [HDVDPN](#) [ADBJ20-K1-PL20](#) [R451570000](#) [R192419000](#) [R451034000](#) [J9](#) [J3WE-5](#) [R451032500](#) [242201RP](#) [17K132-K00S5](#) [03K719-S22S3](#) [AD-RSMAF-RTNC](#) [53K156-K00N5](#) [53K160-KIMN1](#) [02K119-K00E3](#) [29S132-K01N5](#) [53S156-K00N5](#) [02S119-S00E3](#) [28K132-K00N5](#) [02S109-K00S3](#) [27-8200TP](#) [242235](#) [ADBJ20-E1-BJ89](#) [ADP-SMAF-MMCXM](#)