

MATERIALS AND FINISHES:

BODY: STAINLESS STEEL
FINISH: PASSIVATED

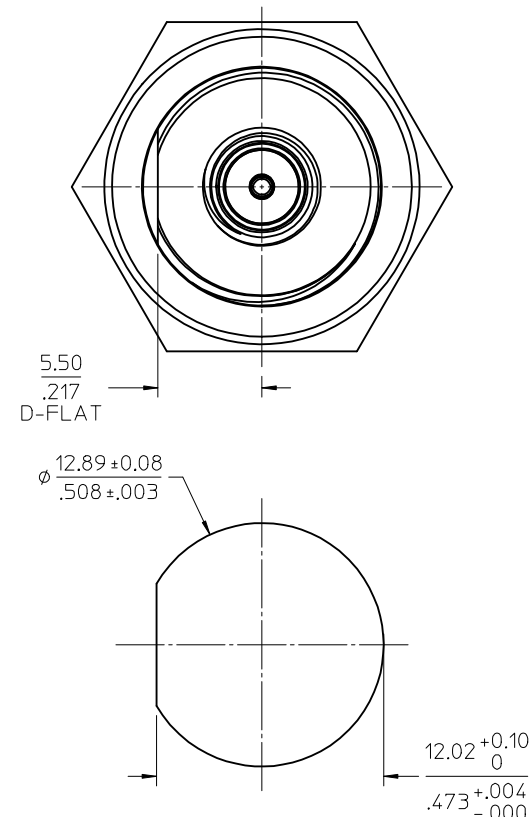
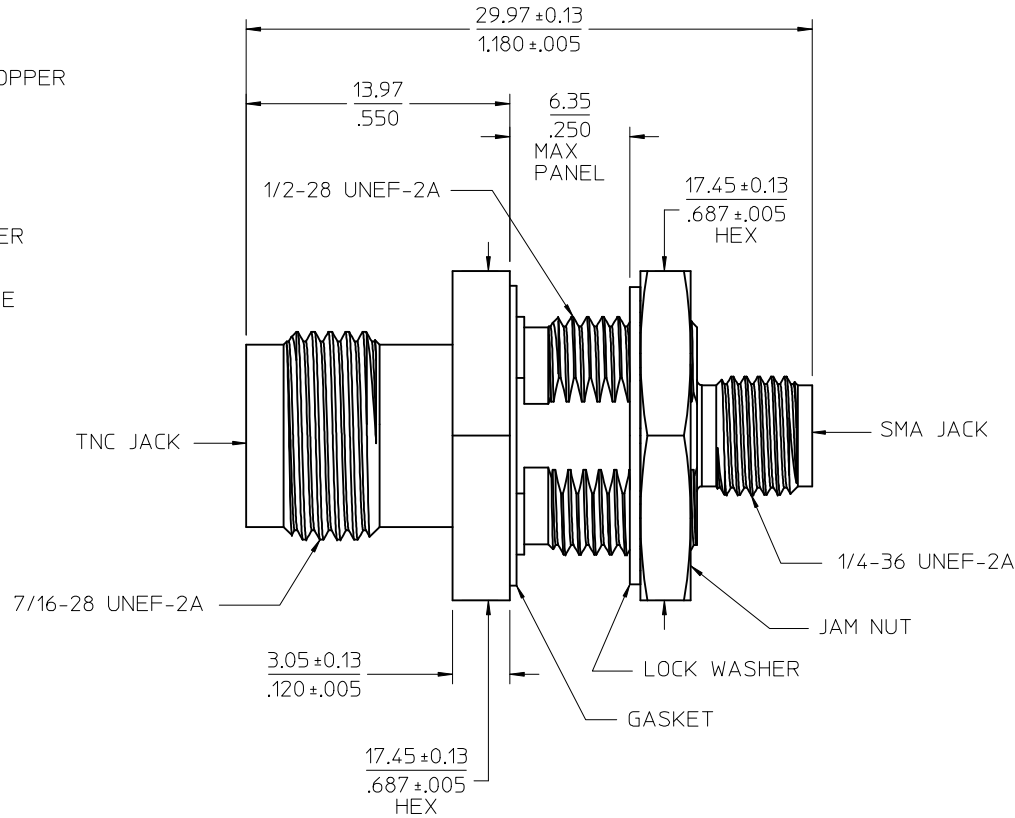
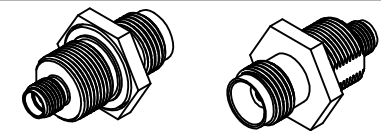
CENTER CONTACT: BERYLLIUM COPPER
FINISH: GOLD

INSULATOR: TEFLON

GASKET, O-RING: SILICONE RUBBER

LOCKWASHER: PHOSPHOR BRONZE
PLATED NICKEL

JAM NUT: BRASS
PLATED NICKEL



73386-1800
PART NO.

ALL DIMENSIONS ARE REFERENCE UNLESS SPECIFIED

RECOMMENDED
PANEL LAYOUT

CHG: ADDED HEX TOL EC NO: URF2015-0009 DRWN: JLEE02 2014/07/09 CHKD: SSS 2014/07/09 APPR: WSPINK 2014/07/10 A3	QUALITY SYMBOLS ▽=0 ▽=0	GENERAL TOLERANCES (UNLESS SPECIFIED)		DIMENSION STYLE MM/IN		SCALE METRIC	DESIGN UNITS METRIC		THIRD ANGLE PROJECTION	
		4 PLACES ± --- + --- 3 PLACES ± --- ± --- 2 PLACES ± --- ± --- 1 PLACE ± --- ± ---	mm INCH ± --- ± --- ± --- ± --- ± --- ± ---	DRAWN BY JLEE02	DATE 2014/05/06	TITLE BSA, TNC J TO SMA J BH 50 OHMS EWR-5388, BSA-TNC/SMA				
		ANGULAR ± 2 °		CHECKED BY SSS	DATE 2014/05/06	MOLEX MOLEX INCORPORATED				
		DRAFT WHERE APPLICABLE MUST REMAIN WITHIN DIMENSIONS		APPROVED BY WSPINK	DATE 2014/06/13	MATERIAL NO. SEE TABLE	DOCUMENT NO. SD-73386-180	SHEET NO. 1 OF 1		

X-ON Electronics

Largest Supplier of Electrical and Electronic Components

Click to view similar products for [RF Adapters - Between Series](#) category:

Click to view products by [Molex](#) manufacturer:

Other Similar products are found below :

[5945-9503-000](#) [MCX/F-SMA/M](#) [R192417010](#) [ADBJ20-E1-BJ379](#) [ADM2](#) [ADPL75-A1-PL75](#) [242191](#) [9317505](#) [29-3835P](#) [AD130](#) [ADBJ20-E1-PL74](#) [ADBJ77-A1PL3155](#) [ADBJ77-E1-UPL20](#) [ADRMF370](#) [242190](#) [242215](#) [242228](#) [R125680000W](#) [R192430000](#) [UAD95](#) [1057367-1](#) [8311505](#) [R114704000](#) [R451034500](#) [R451030500](#) [R451543000](#) [HDVDPN](#) [ADBJ20-K1-PL20](#) [R451570000](#) [R192419000](#) [R451034000](#) [J9](#) [J3WE-5](#) [R451032500](#) [242201RP](#) [17K132-K00S5](#) [03K719-S22S3](#) [AD-RSMAF-RTNC](#) [53K156-K00N5](#) [53K160-KIMN1](#) [02K119-K00E3](#) [29S132-K01N5](#) [53S156-K00N5](#) [02S119-S00E3](#) [28K132-K00N5](#) [02S109-K00S3](#) [27-8200TP](#) [242235](#) [ADBJ20-E1-BJ89](#) [ADP-SMAF-MMCXM](#)