

MATERIALS AND FINISHES

N SIDE BODY (FLANGE): BRASS
PLATED CHEMICAL NICKEL (200µ"~300µ")

SMA SIDE BODY: BRASS
PLATED GOLD (30µ" MIN.)

CENTER CONTACT: BERYLLIUM COPPER
PLATED GOLD
(GOLD 30µ" MIN., OVER CHEMICAL NICKEL)

INSULATOR: TEFLON

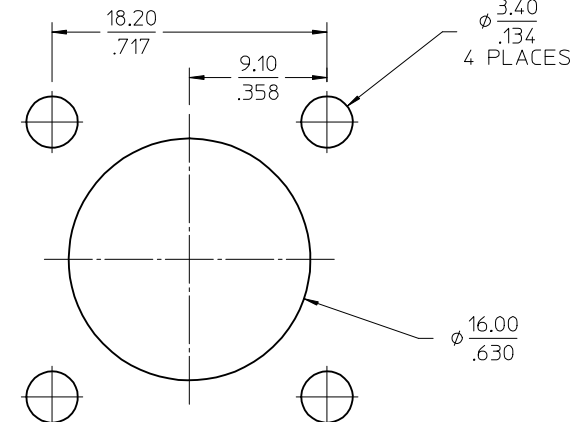
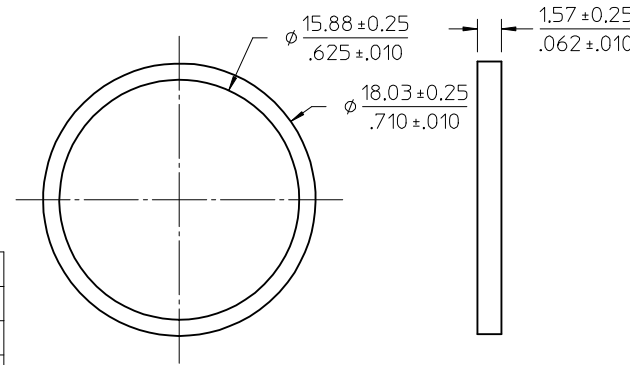
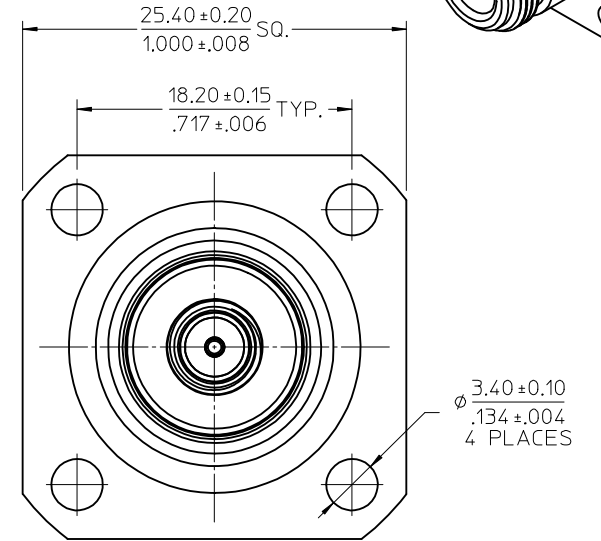
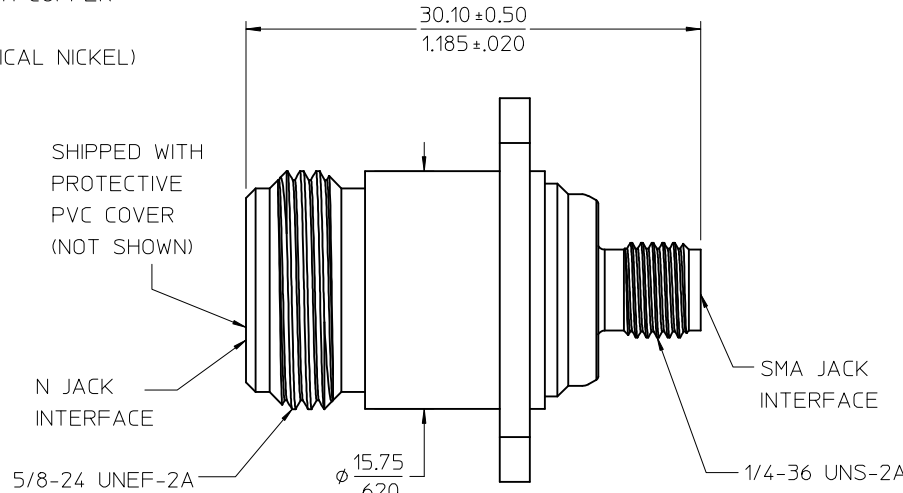
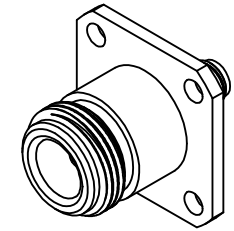
GASKET: SILICONE RUBBER
RED COLOR

PROTECTIVE COVER:
PVC, BLACK COLOR

PACKAGING: BY TRAY

ELECTRICAL SPECIFICATION:

1. IMPEDANCE: 50 OHMS
2. FREQUENCY RANGE: DC to 11 GHz
3. RETURN LOSS: MAX. 20 dB
4. INSERTION LOSS: $\leq 0.03 \times \sqrt{f}$ [GHz] dB
5. WATERPROOF: IP65



PART # 73386-5160

MIL-STD-348A, FIG. 310.2	SMA JACK INTERFACE
MIL-STD-348A, FIG. 304.2	N JACK INTERFACE
PS-89675-2710	ELECTRO/MECH PERFORM.
SPECIFICATION	DESCRIPTION

CHG: N SIDE BODY PLATED NICKEL WAS TRL-M3 PER RF15-E112 EC NO: URF2015-0409 DRAWN: CWE102 2015/02/02 CHKD: APPR: YCHENG 2015/02/05 REV: A2	QUALITY SYMBOLS	GENERAL TOLERANCES (UNLESS SPECIFIED)	DIMENSION STYLE	SCALE	DESIGN UNITS	THIRD ANGLE PROJECTION	
	$\nabla = 0$ $\nabla = 0$ $\nabla = 0$	mm INCH 4 PLACES ± --- ± --- 3 PLACES ± --- ± --- 2 PLACES ± --- ± --- 1 PLACE ± --- ± --- 0 PLACE ± --- ± ---	MM/IN	DRAWN BY DATE CWE102 2013/03/26 CHECKED BY DATE JOANNE 2013/03/26 APPROVED BY DATE MHUANG 2013/05/30	METRIC	ADAPTOR, N JACK TO SMA JACK, IP65 BSA-N_J/SMA_J	MATERIAL NO. 733865160 DOCUMENT NO. SD-73386-516
	ANGULAR ± 2 ° DRAFT WHERE APPLICABLE MUST REMAIN WITHIN DIMENSIONS	SIZE C	THIS DRAWING CONTAINS INFORMATION THAT IS PROPRIETARY TO MOLEX INCORPORATED AND SHOULD NOT BE USED WITHOUT WRITTEN PERMISSION	SHEET NO. 1 OF 1			

X-ON Electronics

Largest Supplier of Electrical and Electronic Components

Click to view similar products for [RF Adapters - Between Series](#) category:

Click to view products by [Molex](#) manufacturer:

Other Similar products are found below :

[5945-9503-000](#) [MCX/F-SMA/M](#) [R192417010](#) [ADBJ20-E1-BJ379](#) [ADM2](#) [ADPL75-A1-PL75](#) [242191](#) [9317505](#) [29-3835P](#) [AD130](#) [ADBJ20-E1-PL74](#) [ADBJ77-A1PL3155](#) [ADBJ77-E1-UPL20](#) [ADRMF370](#) [242215](#) [242228](#) [R125680000W](#) [R192430000](#) [UAD95](#) [1057367-1](#) [8311505](#) [R114704000](#) [R451034500](#) [R451030500](#) [R451543000](#) [HDVDPN](#) [ADBJ20-K1-PL20](#) [R451570000](#) [R192419000](#) [R451034000](#) [J9](#) [J3WE-5](#) [R451032500](#) [242201RP](#) [17K132-K00S5](#) [03K719-S22S3](#) [AD-RSMAF-RTNC](#) [53K156-K00N5](#) [53K160-KIMN1](#) [02K119-K00E3](#) [29S132-K01N5](#) [53S156-K00N5](#) [02S119-S00E3](#) [28K132-K00N5](#) [02S109-K00S3](#) [27-8200TP](#) [242235](#) [ADBJ20-E1-BJ89](#) [ADP-SMAF-MMCXM](#) [000-2900](#)