

MATERIALS AND FINISHES

BODY OUTER BRASS
PLATED SEE TABLE

BODY INNER BRASS
PLATED SEE TABLE

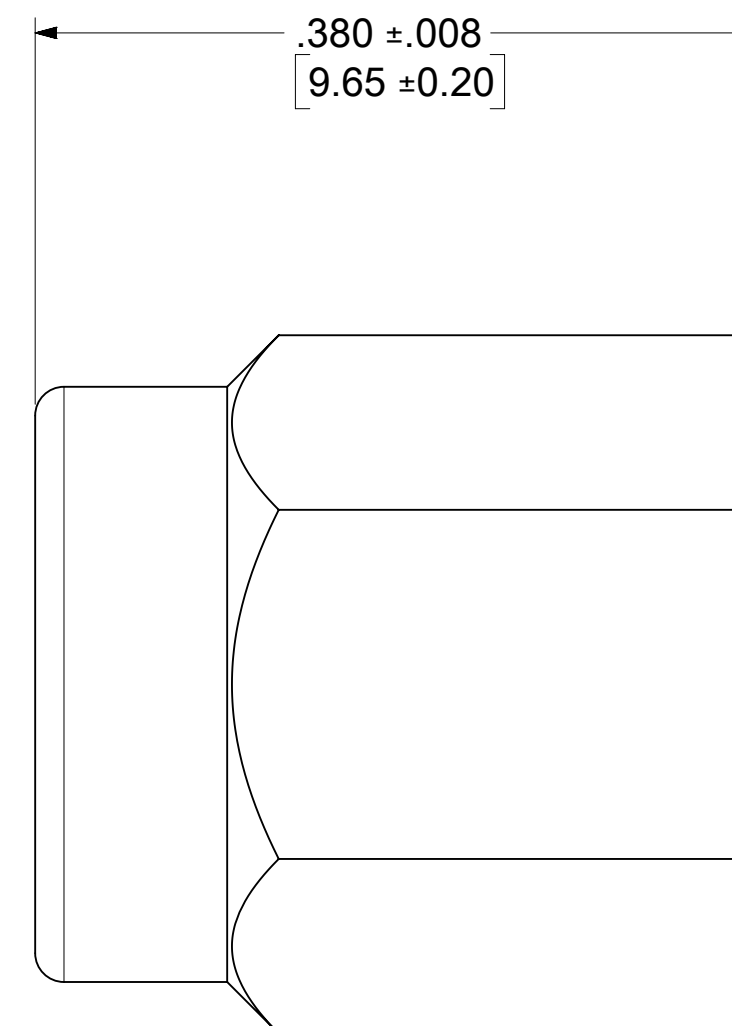
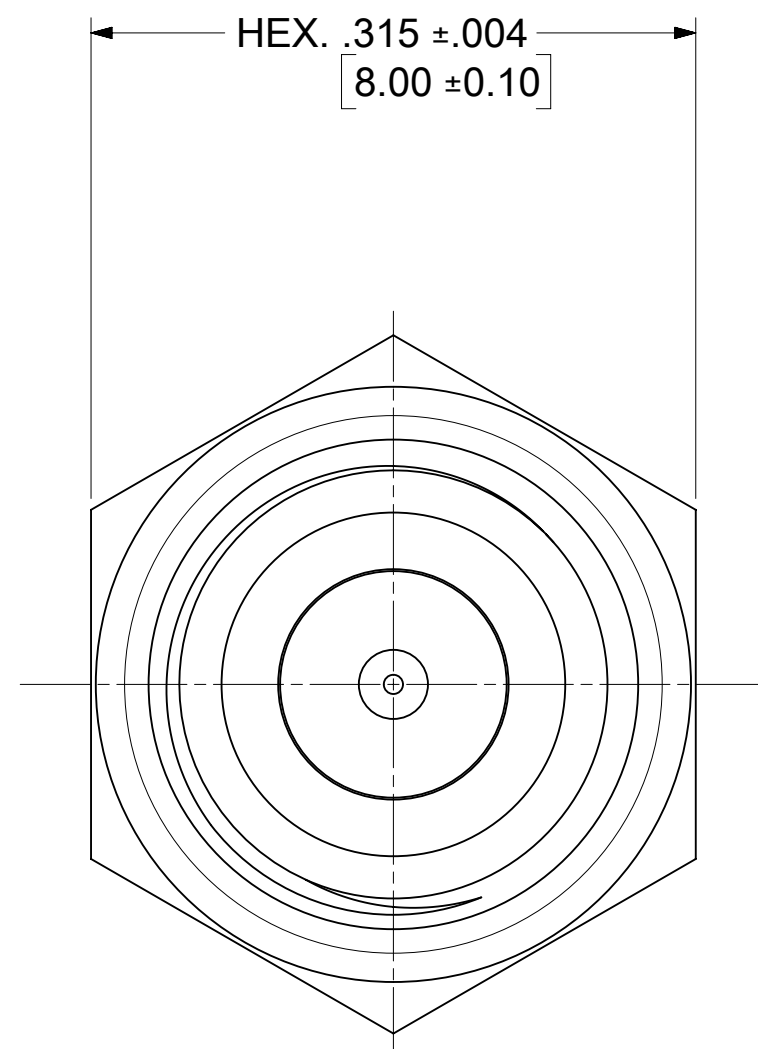
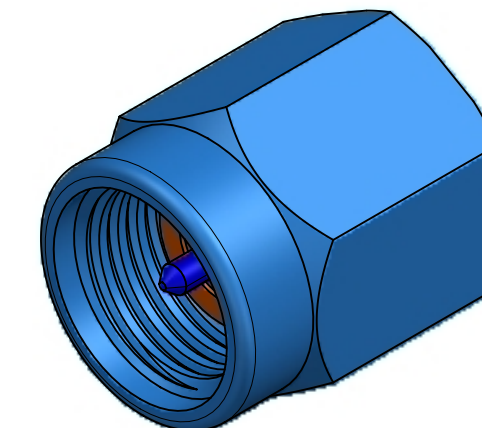
CONTACT BRASS
PLATED SEE TABLE

INSULATOR TEFLON

RESISTOR: 2 100 OHM ±1% CHIP RESISTORS

ELECTRICAL PERFORMANCE:

- VSWR ≤ 1.20 THRU 6 GHz
- VSWR ≤ 1.30 THRU 12 GHz
- VSWR ≤ 1.35 THRU 18 GHz



MIL-STD-348A, FIG 310.1	INTERFACE
SPECIFICATION	DESCRIPTION

73391-0683	NICKEL (100 μ IN)	GOLD (FLASH)	GOLD (10 μ IN MIN.)	73251-3491	89542-0044
73391-0682	GOLD (10 μ IN MIN.)	GOLD (10 μ IN MIN.)	GOLD (30 μ IN MIN.)	-----	89542-0040
73391-0681	GOLD (FLASH)	GOLD (10 μ IN MIN.)	GOLD (10 μ IN MIN.)	73251-3490	89542-0040
73391-0680	NICKEL (100 μ IN)	GOLD (FLASH)	GOLD (10 μ IN MIN.)	73251-3491	89542-0040
PART NO.	OUTER BODY	BODY INNER	CONTACT	SAME AS	PACKAGE
	FINISH	FINISH	FINISH		

DOCUMENT STATUS	P1	RELEASE DATE	2021/02/08 07:33:30
-----------------	----	--------------	---------------------

FUNCTIONAL SYMBOLS	THIS DRAWING CONTAINS INFORMATION THAT IS PROPRIETARY TO MOLEX ELECTRONIC TECHNOLOGIES, LLC AND SHOULD NOT BE USED WITHOUT WRITTEN PERMISSION				
	DIMENSION UNITS	SCALE	CURRENT REV DESC: ADDED -0683 PER EWR # 14242-D		
FA = 0	HYBRID	NTS	<p>molex</p> <p>SMA PLUG TERMINATION SMA-P, EWR-3728</p>		
EA = 0	GENERAL TOLERANCES (UNLESS SPECIFIED)				
EP = 0	ANGULAR TOL ± 2.0°		EC NO: 654522		
DIVISIONAL SYMBOLS	4 PLACES ±		DRWN: ELIN 2021/01/26		
	3 PLACES ±		CHK'D: YCHENG 2021/02/08		
	2 PLACES ±		APPR: YCHENG 2021/02/08		
	1 PLACE ±		INITIAL REVISION:		
0 PLACES ±			DRWN: CLLI 2004/11/17		
			APPR: MHUANG 2004/11/19		
DRAFT WHERE APPLICABLE MUST REMAIN WITHIN DIMENSIONS		THIRD ANGLE PROJECTION	DRAWING	SERIES	SHEET NUMBER
			C-SIZE	73391	1 OF 1
			MATERIAL NUMBER	CUSTOMER	DOC TYPE DOC PART REVISION
			SEE TABLE	GENERAL MARKET	SD-73391-068 PSD 001 E4

X-ON Electronics

Largest Supplier of Electrical and Electronic Components

Click to view similar products for [RF Terminators](#) category:

Click to view products by [Molex](#) manufacturer:

Other Similar products are found below :

[M390303-02N](#) [M39030/3-04S](#) [M39030/3-09S](#) [M39030/3-11N](#) [TNG1-9-78-D3](#) [TNA2-50](#) [TNG1-6-78](#) [TNH1-1-50](#) [R404280000](#) [TNGFL1-1-78](#) [R4042N5000](#) [R404518000](#) [53S1RR-001N3](#) [142275](#) [56S1RR-001N4](#) [18S15R-0.5E3](#) [65_BNC-50-0-7/133_NE](#) [71S1RR-001N4](#) [02S17R-001D3](#) [R404240120](#) [R404260000](#) [HT-10-2](#) [FL LCX 50-OHM-RSMA](#) [M39030/3-04N](#) [TNA1-6-50](#) [131-3801-811](#) [TNA1-1-50](#) [65_N-50-0-51/113_NE](#) [65_BNC-50-0-2/133_NE](#) [65_N-50-0-1/133_NE](#) [65002_N-50-1/122_NE](#) [65_MMCX-50-0-31/111_OE](#) [18K15R-0.5E3](#) [2702702](#) [TRM-2161-M0-35M-02](#) [53S17R-001N3](#) [18S24H-40ML5](#) [TRM-2053-M0-NNN-02](#) [R404759000](#) [M39030/6-02N](#) [TRM-2080-M0-NNN-07](#) [TRM-2053-MC-NNN-02](#) [M39030/3-03S](#) [SF8012-6009](#) [6701.01.A](#) [65_MCX-50-0-4/111_NE](#) [65_716-50-0-2/003_-E](#) [65_SMB-50-0-1/111_NE](#) [M39030/3-12N](#) [82-5722-RFX](#)