

MATERIALS AND FINISHES

BODY/CAP: ZINC ALLOY
 PLATED: TIN

CENTER CONTACT: PHOSPHOR BRONZE
 OR BRASS
 PLATED: GOLD

COLOR RING : HIGH TEMPERATURE
 PLASTIC
 COLOR: SEE TABLE

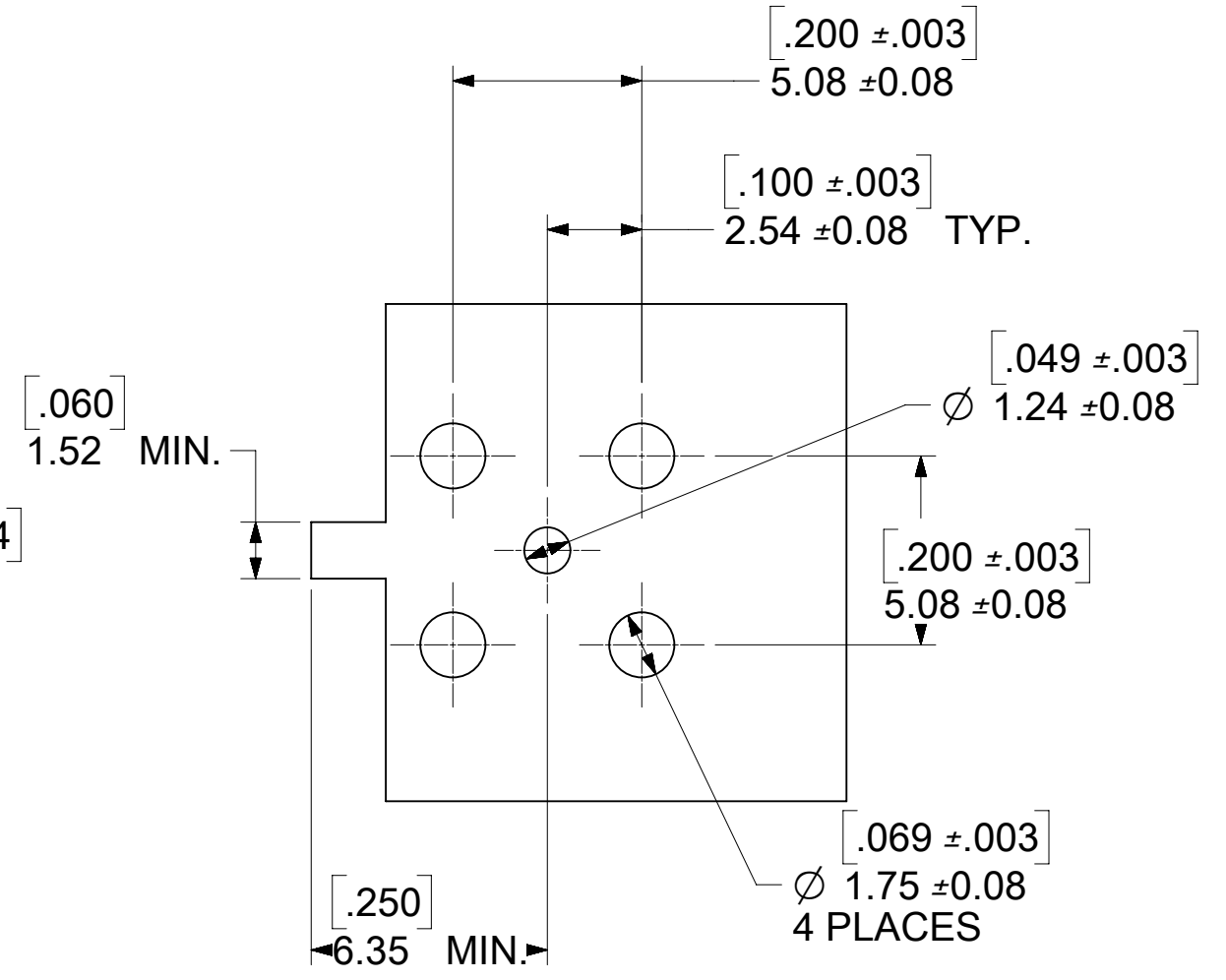
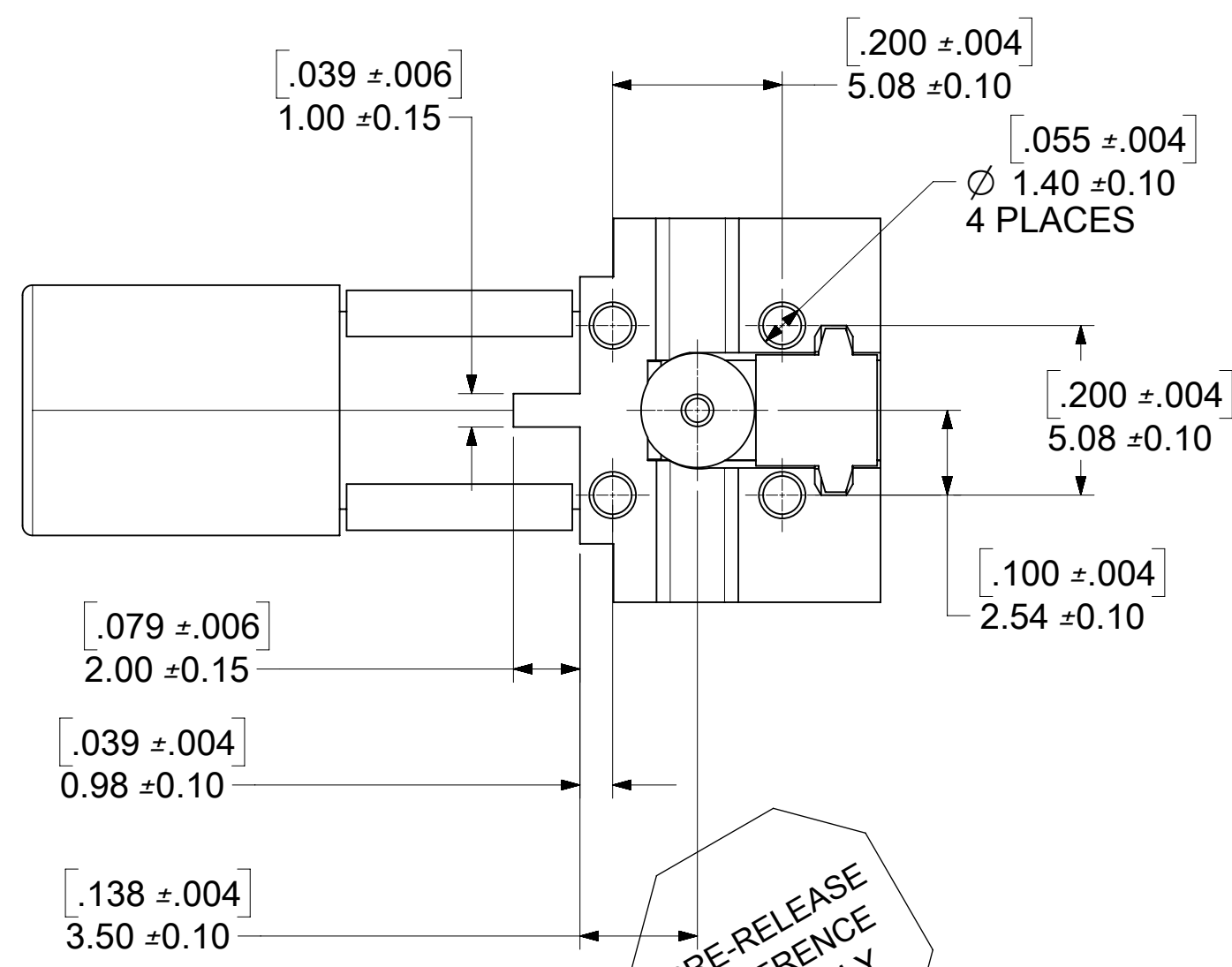
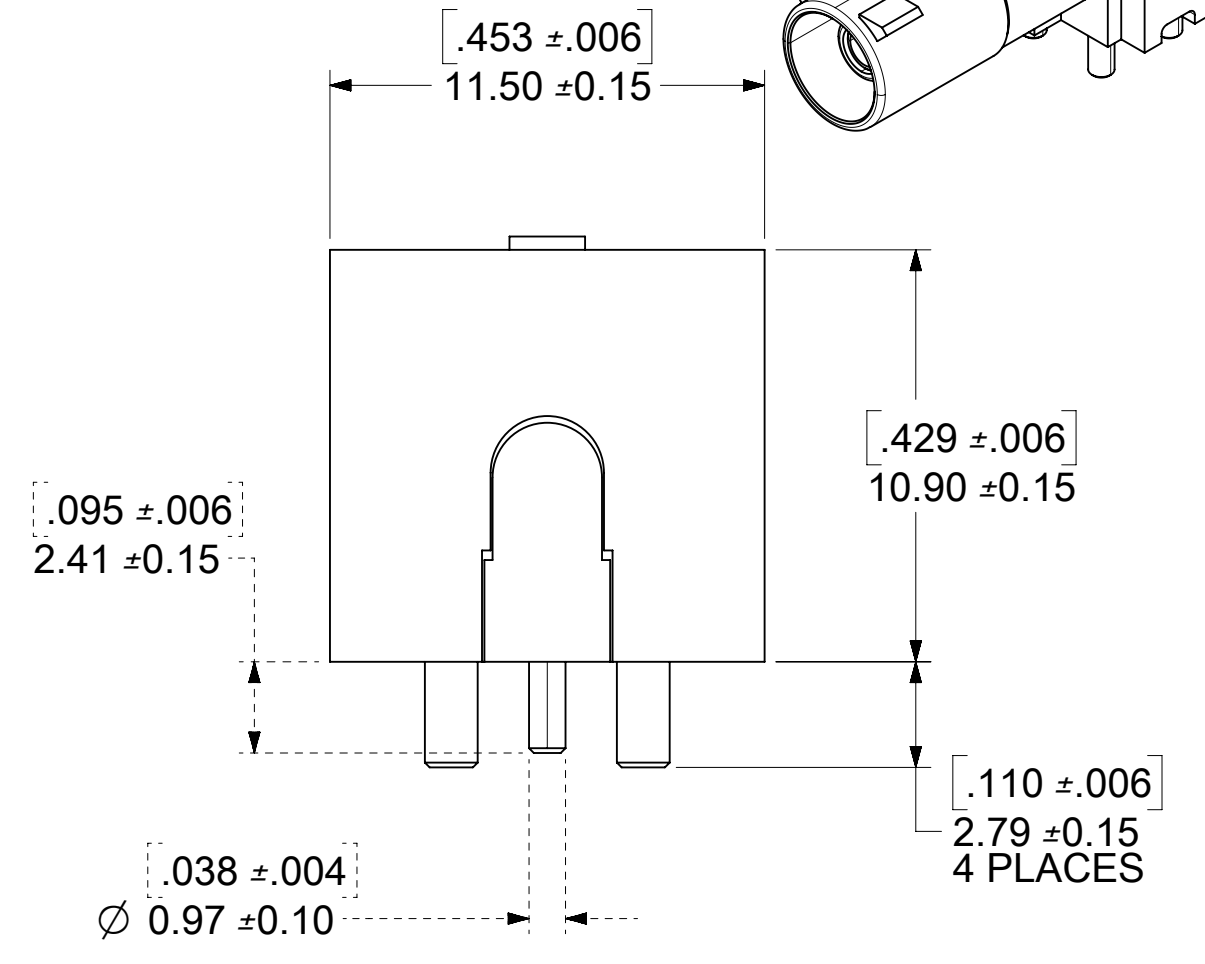
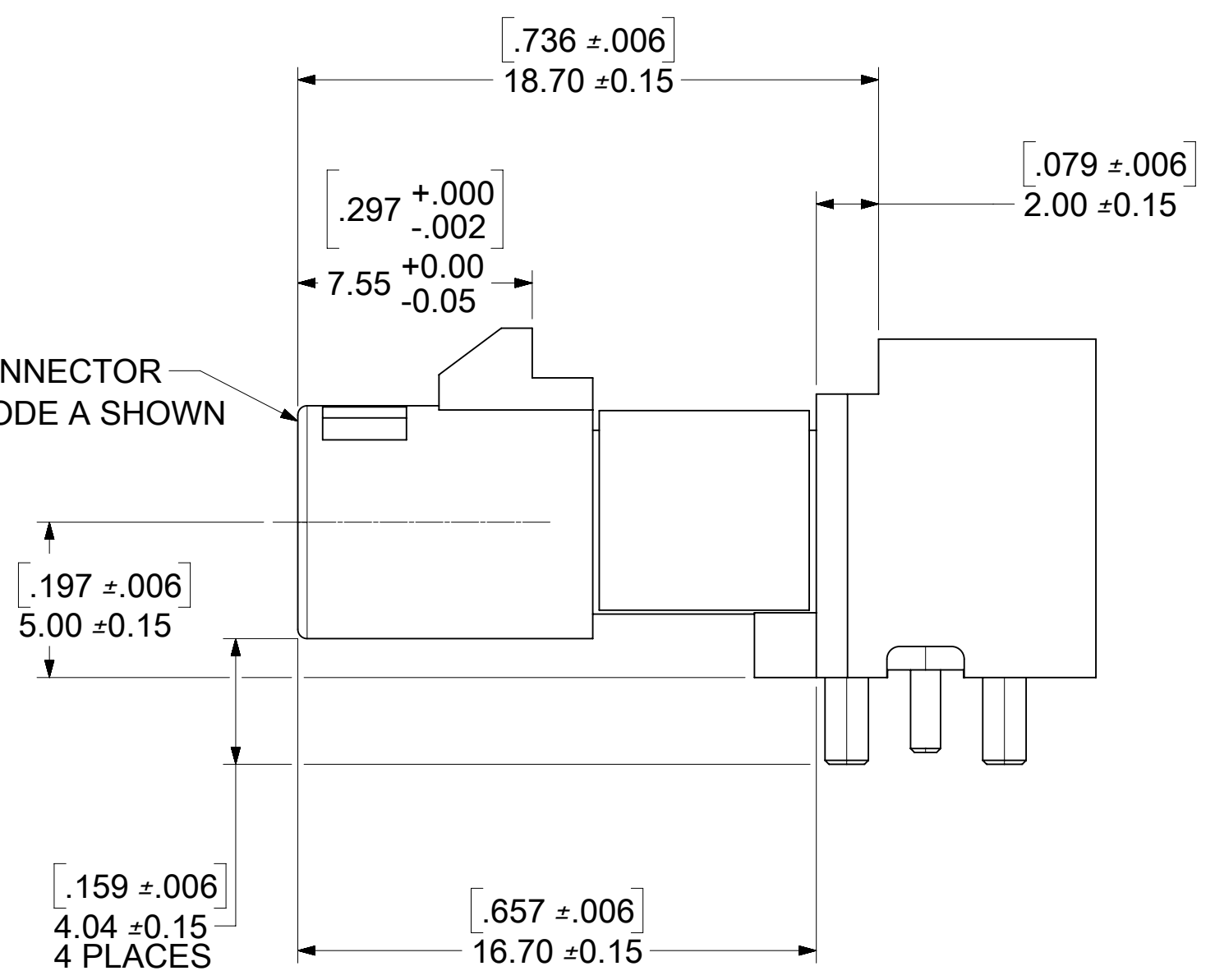
KEYING: SEE TABLE

INSULATOR: TEFLON

RETENTION SPECIFICATION:
 THE FAKRA CONNECTOR SHOULD WILL WITHSTAND
 A LONGITUDINAL FORCE OF 110 N (24.75 LBS)

SEE SHEETS 3 AND 4 FOR PACKAGING INSTRUCTIONS

FAKRA CONNECTOR
 KEYING CODE A SHOWN



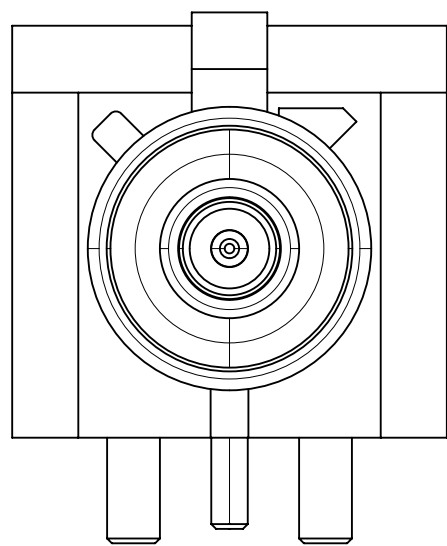
RECOMMENDED CIRCUIT BOARD PATTERN AND
 MINIMUM BOARD AREA NEEDED FOR CONNECTOR
 ANTI-TIPPING FEATURE TO FUNCTION

PRE-RELEASE
 REFERENCE
 USE ONLY

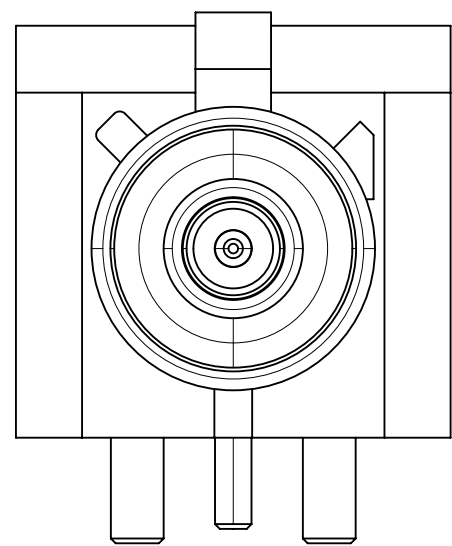
PS-89675-3310	PRODUCT SPECIFICATION
MIL-STD-348-A. FIG. 311-1	INTERFACE
SPECIFICATION	DESCRIPTION

2018/07/30	A1	UPDATE TAPE AND REEL PER EWR #12096
2008/11/24	A	RTM PER PDR09-009
DATE	REV.	DESCRIPTION

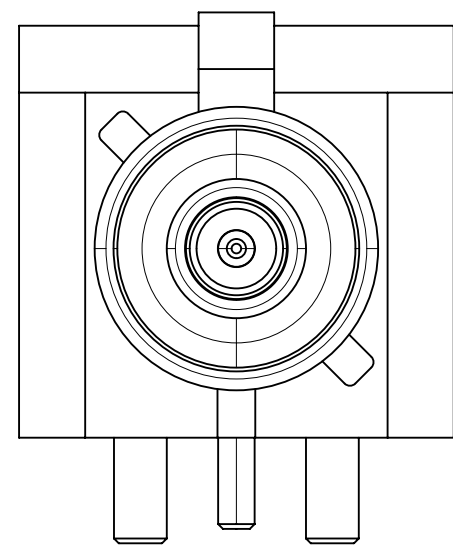
THIS DRAWING CONTAINS INFORMATION THAT IS PROPRIETARY TO MOLEX ELECTRONIC TECHNOLOGIES, LLC AND SHOULD NOT BE USED WITHOUT WRITTEN PERMISSION		CURRENT REV DESC:			
DIMENSION UNITS: HYBRID SCALE: NTS	GENERAL TOLERANCES (UNLESS SPECIFIED) ANGULAR TOL ± 2.0°			EC NO: 603096 DRWN: ELIN 2018/07/31 CHK'D: YCHENG 2018/09/06 APPR: YCHENG 2018/09/06	
▽ = 0 ▽ = 0 ▽ = 0 ▽ = 0 ▽ = 0 ▽ = 0 ▽ = 0 ▽ = 0	4 PLACES ± 3 PLACES ± 2 PLACES ± 1 PLACE ± 0 PLACES ±	INITIAL REVISION: DRWN: SCHOU 2008/11/24 APPR: MHUANG 2008/11/24	PRODUCT CUSTOMER DRAWING DOCUMENT NUMBER: SD-73403-505 DOC TYPE: PSD DOC PART: 001 REVISION: A2		
DRAFT WHERE APPLICABLE MUST REMAIN WITHIN DIMENSIONS	THIRD ANGLE PROJECTION	DRAWING: C-SIZE	SERIES: 73403	MATERIAL NUMBER: SEE TABLE	CUSTOMER: GENERAL MARKET SHEET NUMBER: 1 OF 4



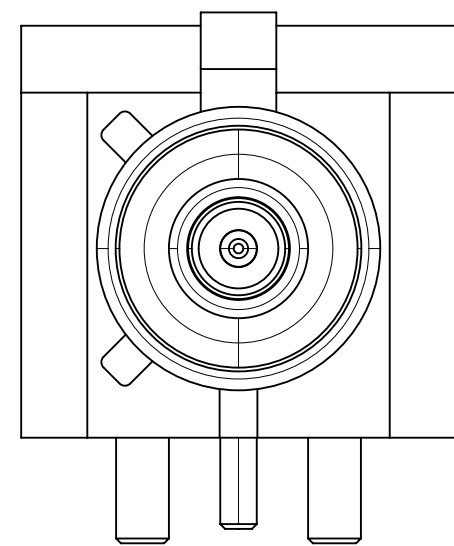
CODE A



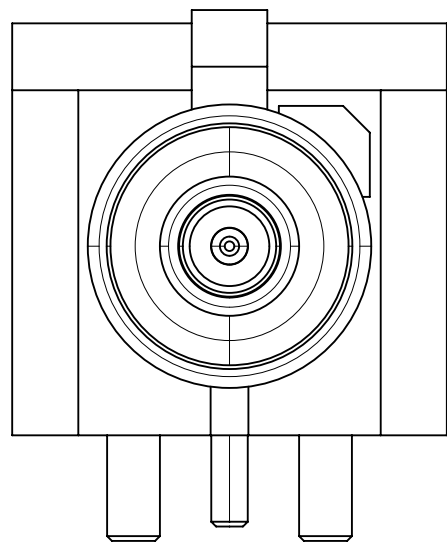
CODE B



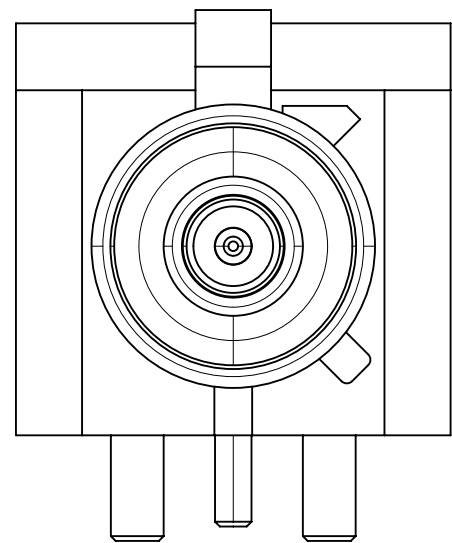
CODE C



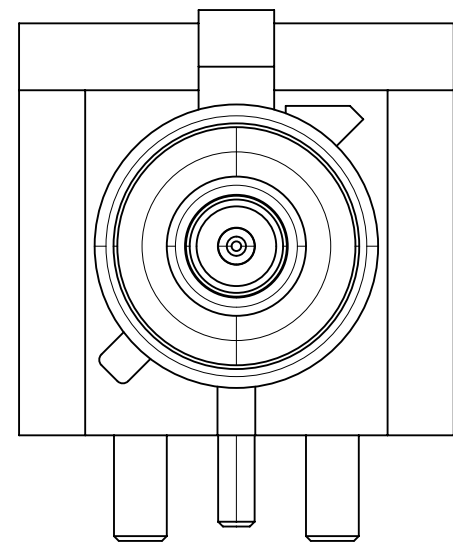
CODE D



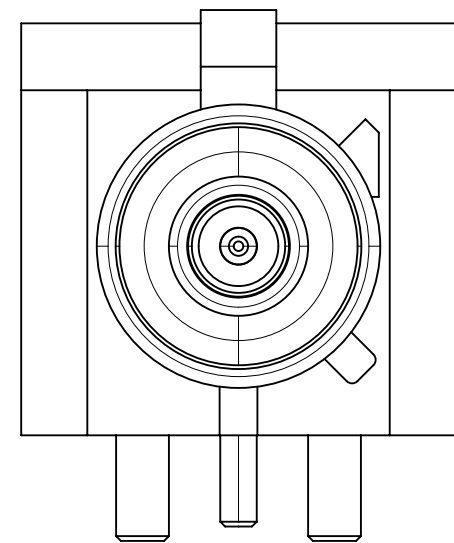
CODE E



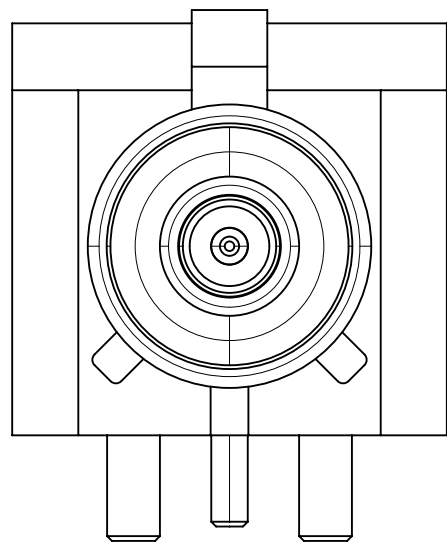
CODE F



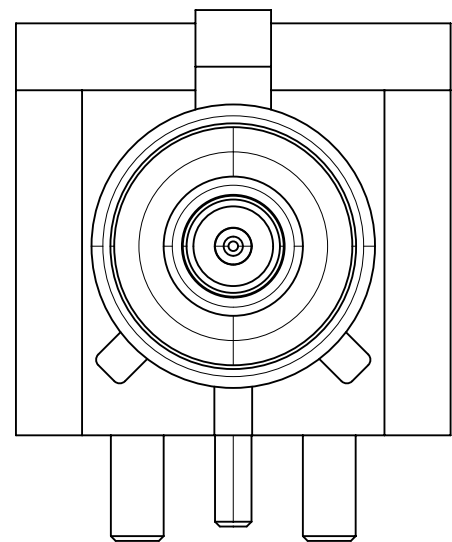
CODE G



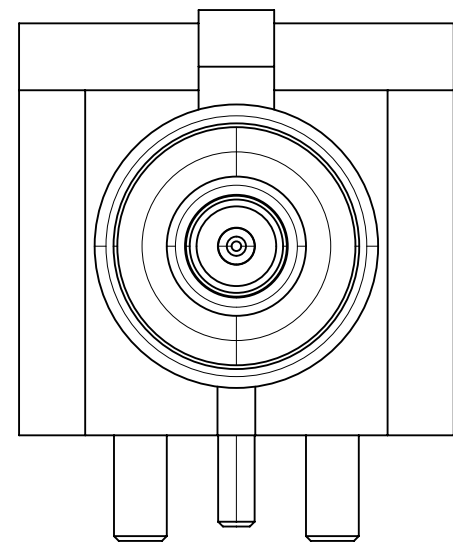
CODE H



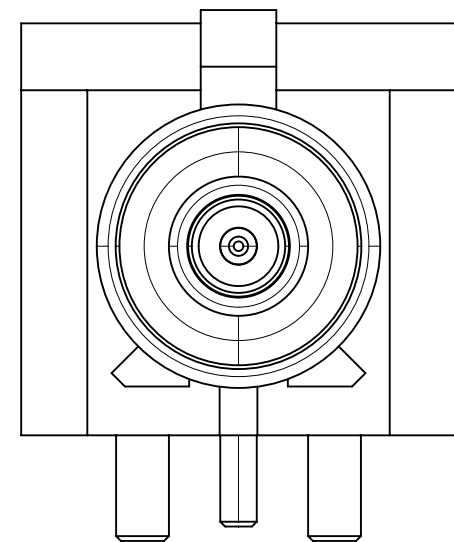
CODE I



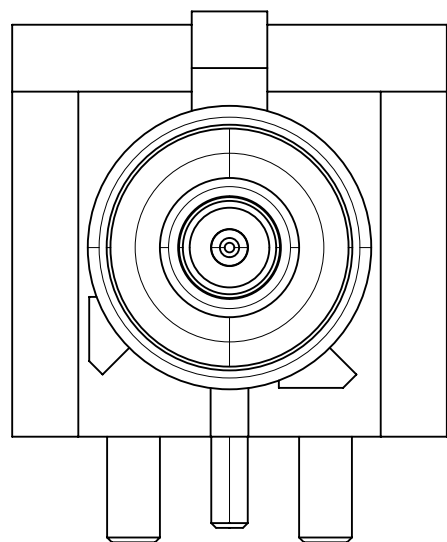
CODE K



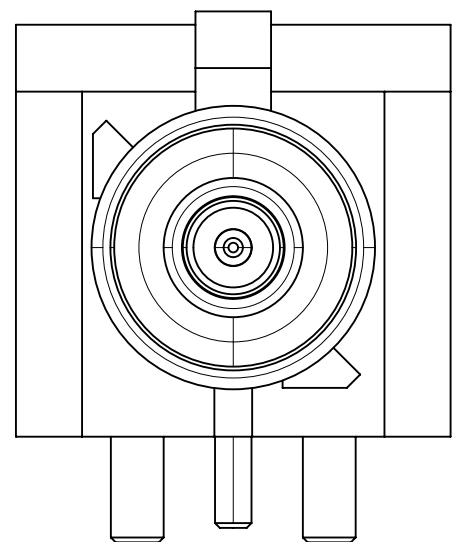
CODE Z



CODE L



CODE M



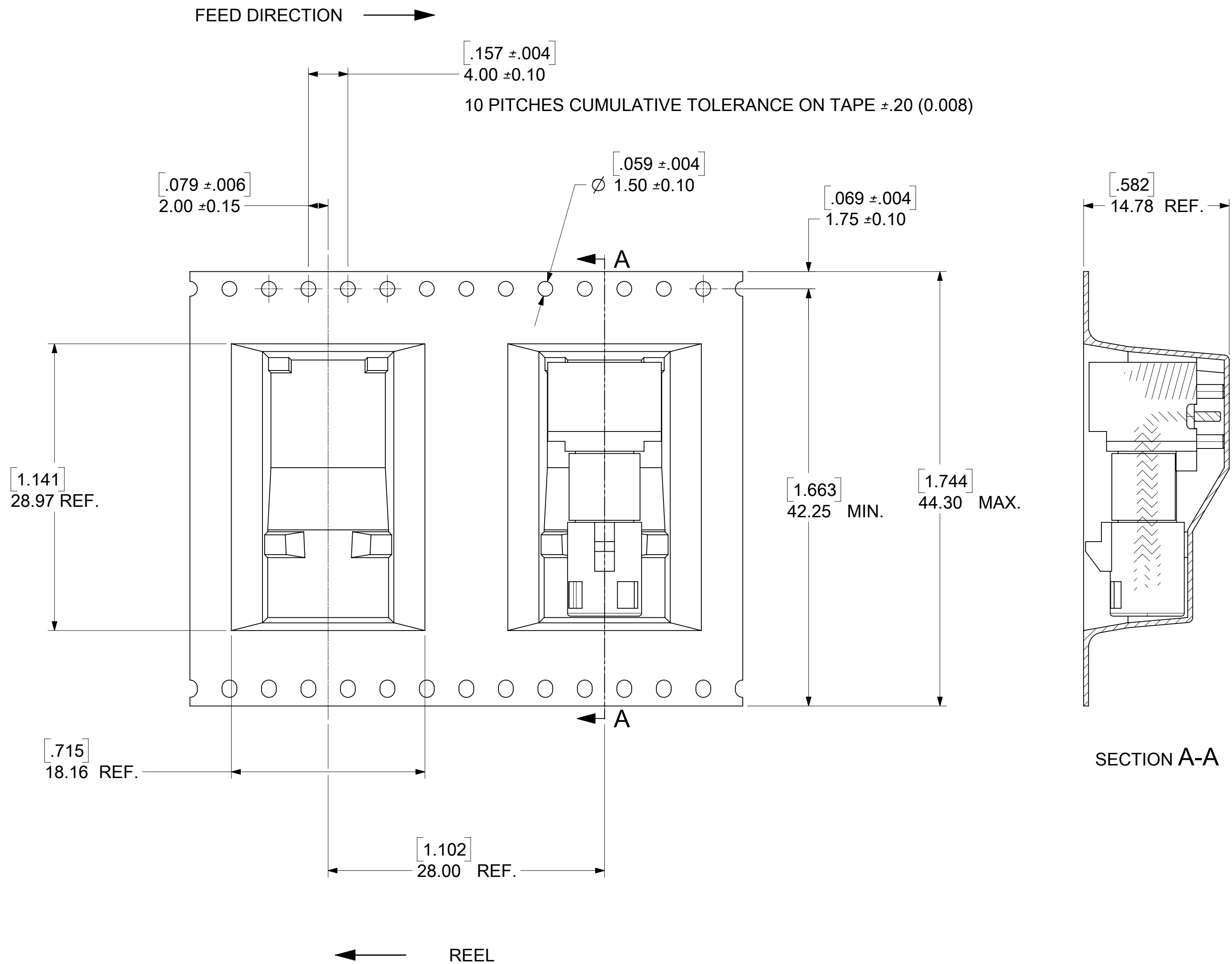
CODE N

N	PASTEL GREEN	73403-5X63
M	PASTEL ORANGE	73403-5X62
L	CARMINE RED	73403-5X61
Z	WATER BLUE	73403-5X60
K	CURRY YELLOW	73403-5X59
I	BEIGN	73403-5X58
H	VIOLET	73403-5X57
G	GRAY	73403-5X56
F	BROWN	73403-5X55
E	GREEN	73403-5X54
D	BORDEAUXVILOET	73403-5X53
C	BLUE	73403-5X52
B	SINGLE WHITE	73403-5X51
A	BLACK	73403-5X50
KEYING CODE	COLOR	PART NO.

PRE-RELEASE
REFERENCE
USE ONLY

MOLEX RF P/N SYSTEM
73403-5 X XX
XX KEYING CODE (SEE TABLE)
X PACKAGE
0. SINGLE
1. TAPE & REEL
2. TRAY

THIS DRAWING CONTAINS INFORMATION THAT IS PROPRIETARY TO MOLEX ELECTRONIC TECHNOLOGIES, LLC AND SHOULD NOT BE USED WITHOUT WRITTEN PERMISSION														
SYMBOLS		DIMENSION UNITS		SCALE		CURRENT REV DESC:								
▽ = 0	HYBRID	NTS												
▽ = 0	GENERAL TOLERANCES (UNLESS SPECIFIED)													
▽ = 0	ANGULAR TOL ± 2.0°													
▽ = 0	4 PLACES	±												
▽ = 0	3 PLACES	±												
▽ = 0	2 PLACES	±												
▽ = 0	1 PLACE	±												
⊠ = 0	0 PLACES	±												
■ = 0	DRAFT WHERE APPLICABLE MUST REMAIN WITHIN DIMENSIONS		THIRD ANGLE PROJECTION		DRAWING		SERIES		MATERIAL NUMBER		CUSTOMER		SHEET NUMBER	
▽ = 0			C-SIZE		73403		SEE TABLE		GENERAL MARKET		2 OF 4			
DOCUMENT STATUS			RELEASE DATE			EC NO: 603096			2018/07/31					
						DRWN: ELIN			2018/09/06					
						CHK'D: YCHENG			2018/09/06					
						APPR: YCHENG								
						INITIAL REVISION:								
						DRWN: SCHOU			2008/11/24					
						APPR: MHUANG			2008/11/24					
DOCUMENT NUMBER				DOC TYPE		DOC PART		REVISION						
SD-73403-505				PSD		001		A2						



NOTES:
 1. 160 CONNECTORS PER REEL ON 330.2 mm (13.0 IN) REEL

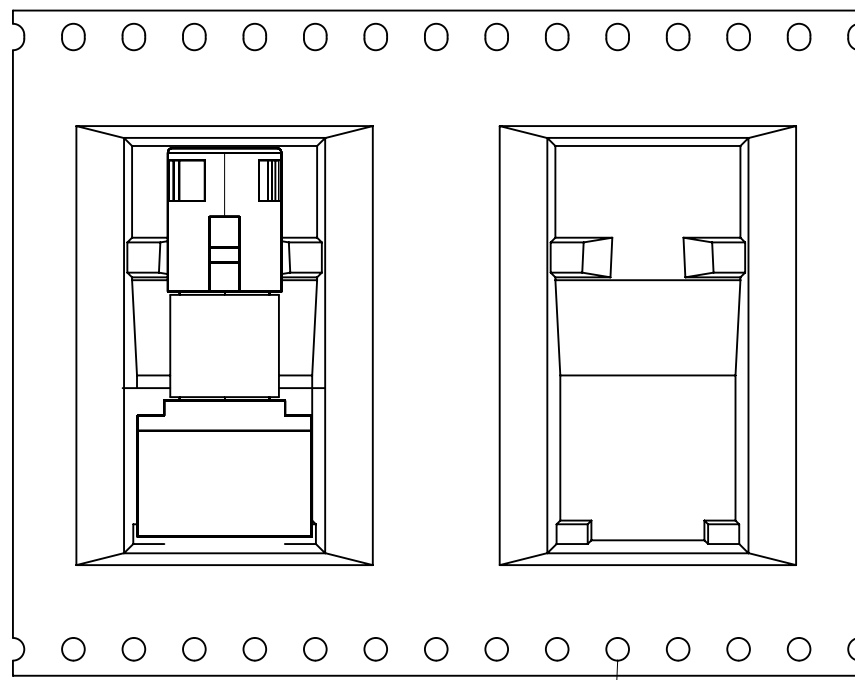
PRE-RELEASE
 REFERENCE
 USE ONLY

THIS DRAWING CONTAINS INFORMATION THAT IS PROPRIETARY TO MOLEX ELECTRONIC TECHNOLOGIES, LLC AND SHOULD NOT BE USED WITHOUT WRITTEN PERMISSION										
SYMBOLS		DIMENSION UNITS		SCALE		CURRENT REV DESC:				
▽ = 0	HYBRID	NTS								
▽ = 0	GENERAL TOLERANCES (UNLESS SPECIFIED)									
▽ = 0	ANGULAR TOL ± 2.0°									
▽ = 0	4 PLACES	±	EC NO: 603096							
▽ = 0	3 PLACES	±	DRWN: ELIN				2018/07/31			
▽ = 0	2 PLACES	±	CHK'D: YCHENG				2018/09/06			
▽ = 0	1 PLACE	±	APPR: YCHENG				2018/09/06			
⊠ = 0	INITIAL REVISION:									
⊠ = 0	1 PLACE	±	DRWN: SCHOU				2008/11/24			
⊠ = 0	0 PLACES	±	APPR: MHUANG				2008/11/24			
■ = 0	DRAFT WHERE APPLICABLE MUST REMAIN WITHIN DIMENSIONS		THIRD ANGLE PROJECTION		DRAWING		SERIES			
▽ = 0			C-SIZE		73403					
DOCUMENT STATUS			RELEASE DATE			MATERIAL NUMBER				
						SEE TABLE		CUSTOMER		SHEET NUMBER
						GENERAL MARKET		PSD 001		3 OF 4
								DOC TYPE DOC PART REVISION		A2
								SD-73403-505		

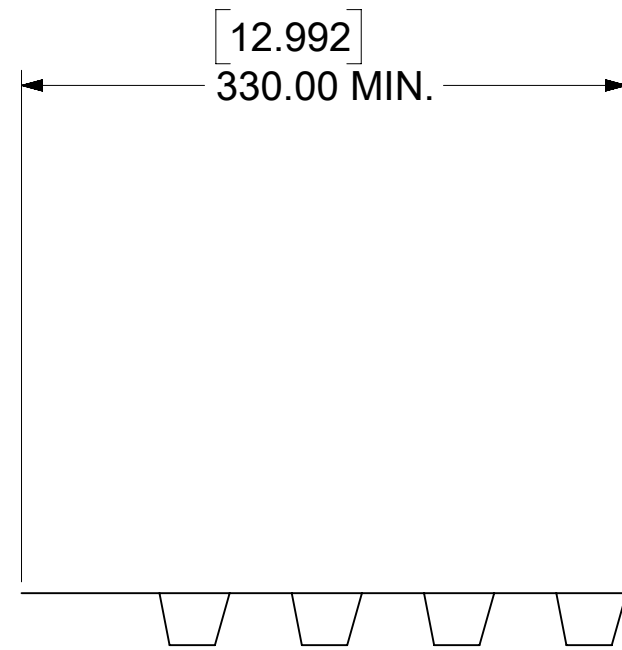
molex

SMB JACK, FAKRA, R/A
 PCB, 50 OHMS SMB-J/PCB

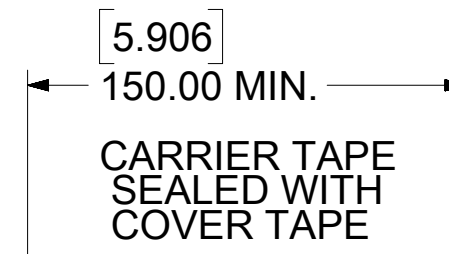
PRODUCT CUSTOMER DRAWING



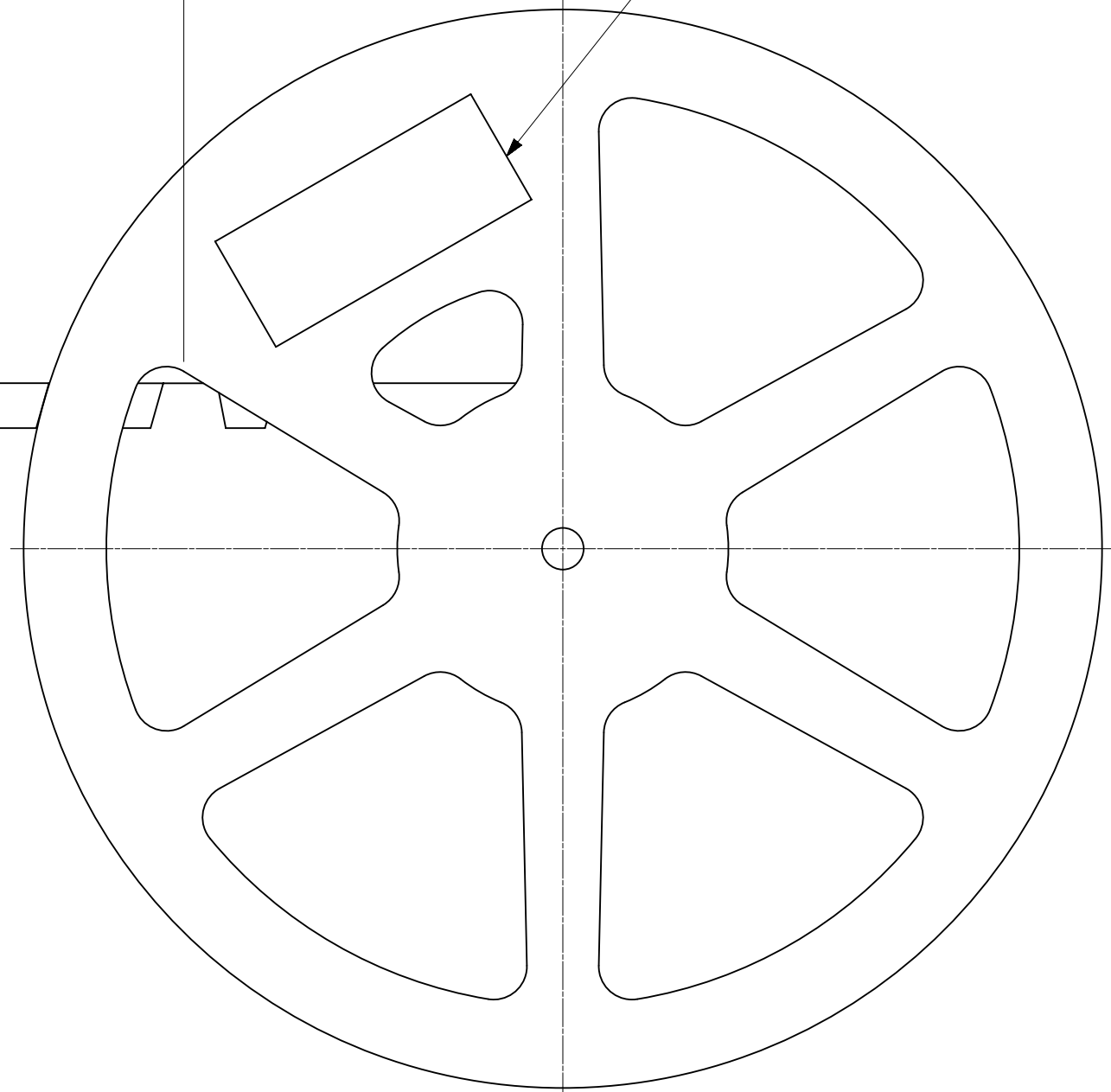
TOP VIEW



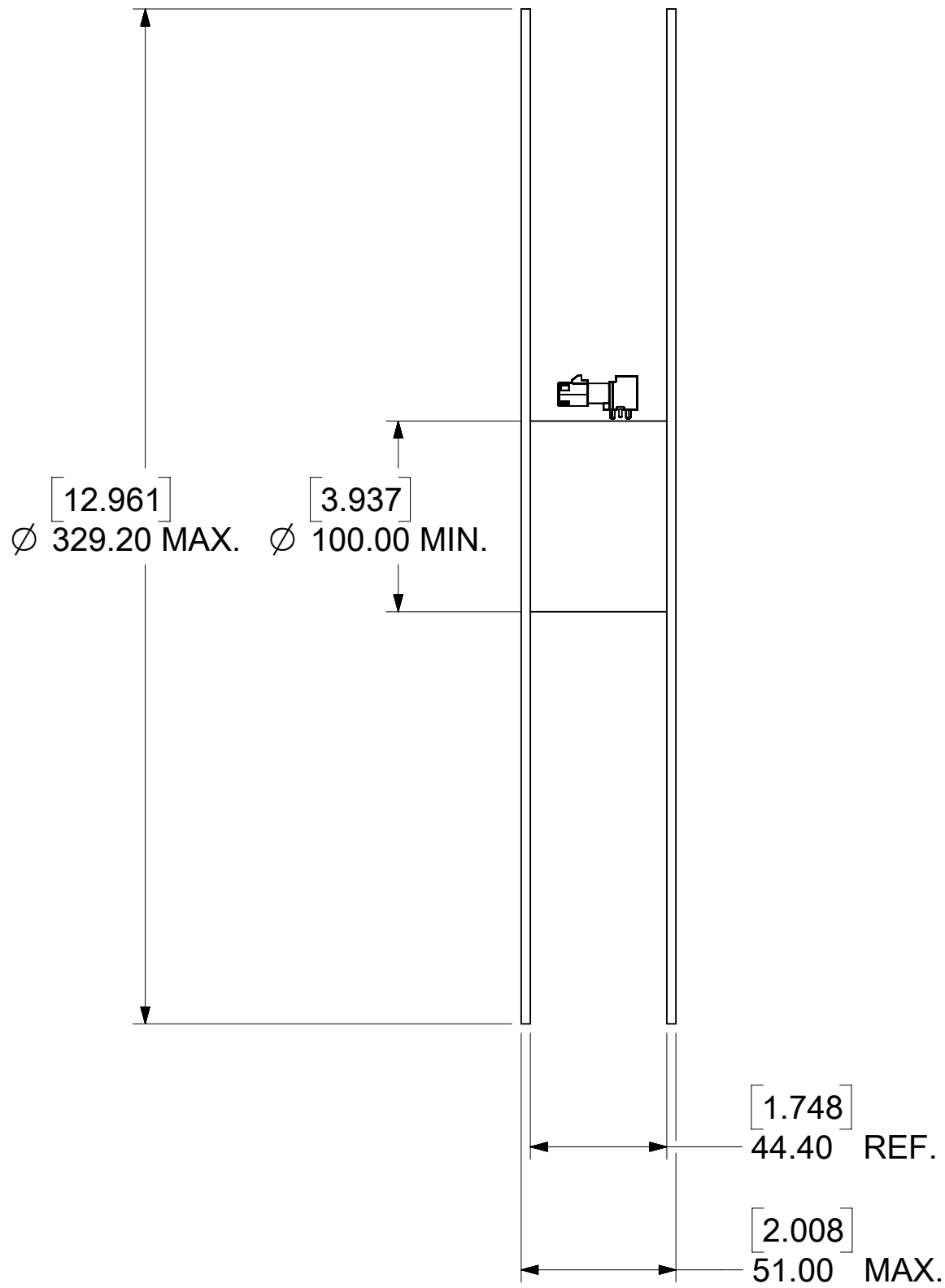
250mm MIN OF CARRIER AND /OR COVER TAPE.
PLUS 80mm MINIMUM OF CARRIER TAPE SEALED
WITH COVER TAPE



LABEL:
- ORDER NO.
- QUANTITY
- PART NO.
- LOT NO.



PRE-RELEASE
REFERENCE
USE ONLY



THIS DRAWING CONTAINS INFORMATION THAT IS PROPRIETARY TO MOLEX ELECTRONIC TECHNOLOGIES, LLC AND SHOULD NOT BE USED WITHOUT WRITTEN PERMISSION									
SYMBOLS		DIMENSION UNITS		SCALE		CURRENT REV DESC:			
▽ = 0	▽ = 0	HYBRID	NTS			EC NO: 603096			
▽ = 0	▽ = 0	GENERAL TOLERANCES (UNLESS SPECIFIED)				DRWN: ELIN		2018/07/31	
▽ = 0	▽ = 0	ANGULAR TOL ± 2.0°				CHK'D: YCHENG		2018/09/06	
▽ = 0	▽ = 0	4 PLACES ±				APPR: YCHENG		2018/09/06	
▽ = 0	▽ = 0	3 PLACES ±				INITIAL REVISION:			
▽ = 0	▽ = 0	2 PLACES ±				DRWN: SCHOU		2008/11/24	
▽ = 0	▽ = 0	1 PLACE ±				APPR: MHUANG		2008/11/24	
▽ = 0	▽ = 0	0 PLACES ±				DRAFT WHERE APPLICABLE MUST REMAIN WITHIN DIMENSIONS		THIRD ANGLE PROJECTION	
▽ = 0	▽ = 0	DRAWING		SERIES		MATERIAL NUMBER		CUSTOMER	
		C-SIZE		73403		SEE TABLE		GENERAL MARKET	

molex

SMB JACK, FAKRA, R/A
PCB, 50 OHMS SMB-J/PCB

PRODUCT CUSTOMER DRAWING

DOCUMENT NUMBER	DOC TYPE	DOC PART	REVISION
SD-73403-505	PSD	001	A2

MATERIAL NUMBER	CUSTOMER	SHEET NUMBER
SEE TABLE	GENERAL MARKET	4 OF 4

DOCUMENT STATUS	RELEASE DATE

X-ON Electronics

Largest Supplier of Electrical and Electronic Components

Click to view similar products for [RF Connectors / Coaxial Connectors](#) category:

Click to view products by [Molex](#) manufacturer:

Other Similar products are found below :

[8915-1511-000](#) [89674-0827](#) [6001-7071-019](#) [6002-7051-003](#) [6002-7551-202](#) [6059674-1](#) [619550-1](#) [630059-000](#) [M39030/3-01N](#) [6500-7071-046](#) [6769](#) [CX050L2AQ](#) [7002-1542-011](#) [7004-1512-000](#) [7009-1511-004](#) [7010-1511-000](#) [7029-1511-060](#) [7101-1541-010](#) [7101-1571-002](#) [7105-1521-002](#) [7145-1521-002](#) [7203-1571-003](#) [7209-1511-011](#) [7210-1511-015](#) [7210-1511-019](#) [73137-5015](#) [73216-2241](#) [73404-2300](#) [7405-1521-005](#) [7405-1521-802](#) [8527](#) [8547](#) [FS11V](#) [877931](#) [8808-1511-001](#) [9049-9513-000](#) [9074-9513-000](#) [9101-9573-002](#) [910A205F](#) [9130-9573-002](#) [PL11SC-026](#) [PL375-33](#) [PL40-5](#) [PL74C-221](#) [PL75MC-217](#) [PL803-7](#) [1200690078](#) [1-201144-1](#) [R107003010W](#) [R110A172100](#)