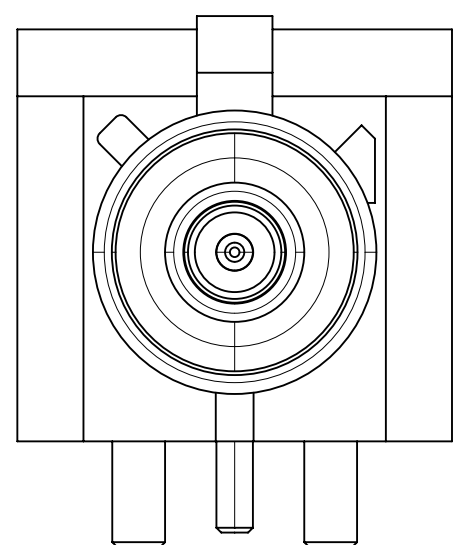
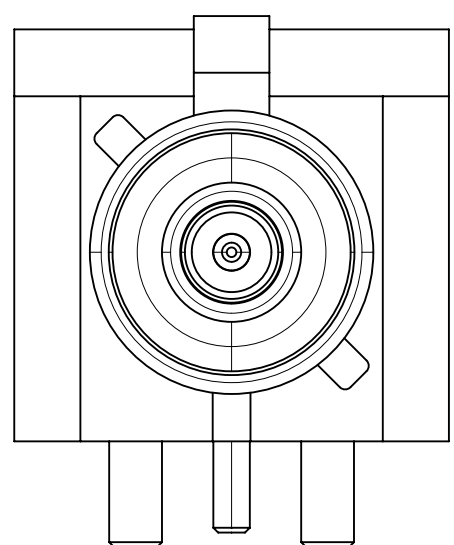


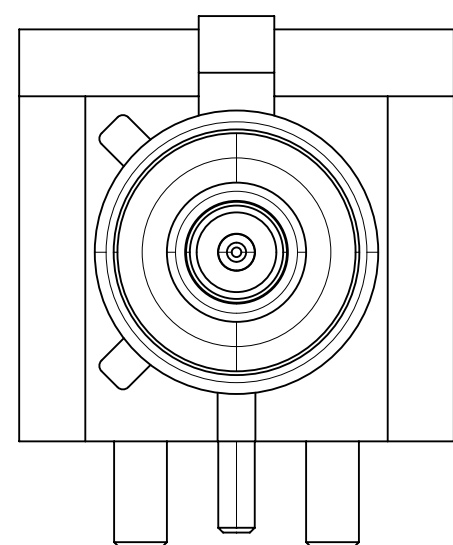
CODE A



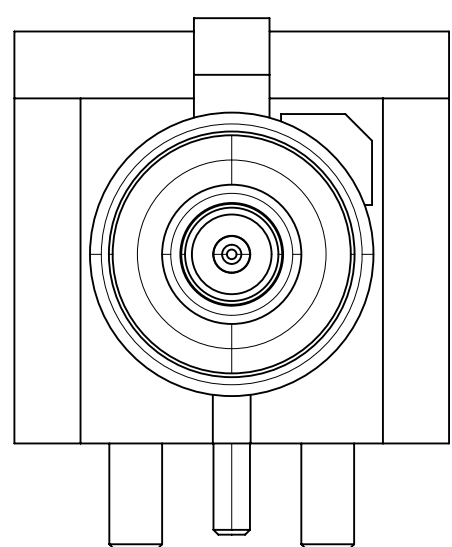
CODE B



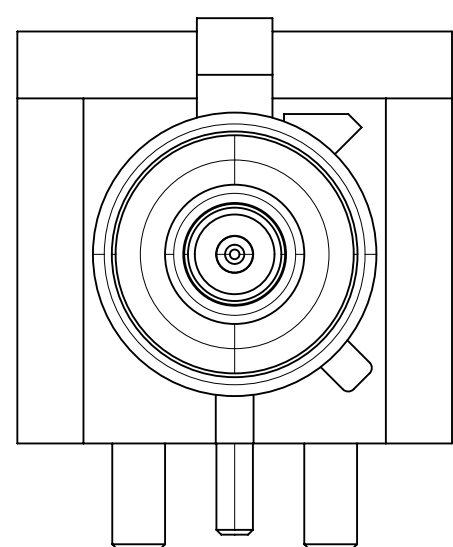
CODE C



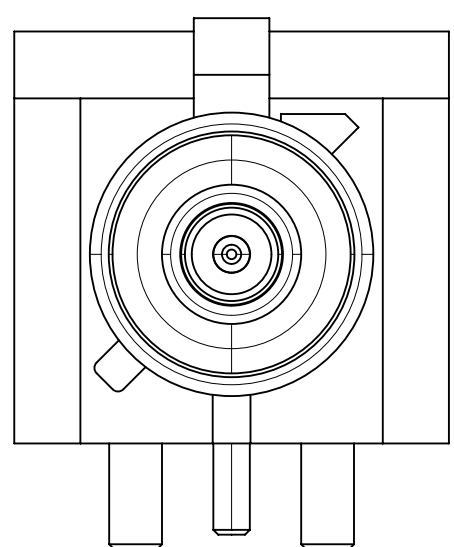
CODE D



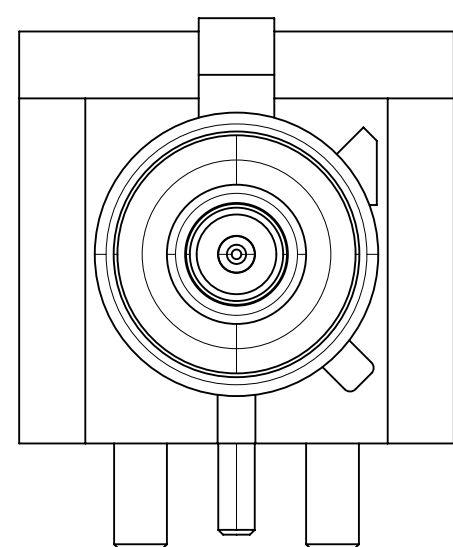
CODE E



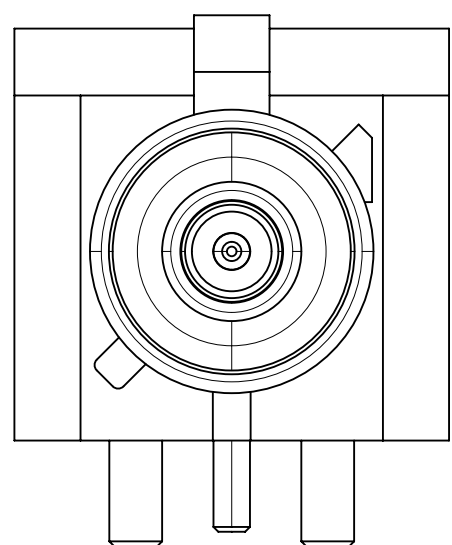
CODE F



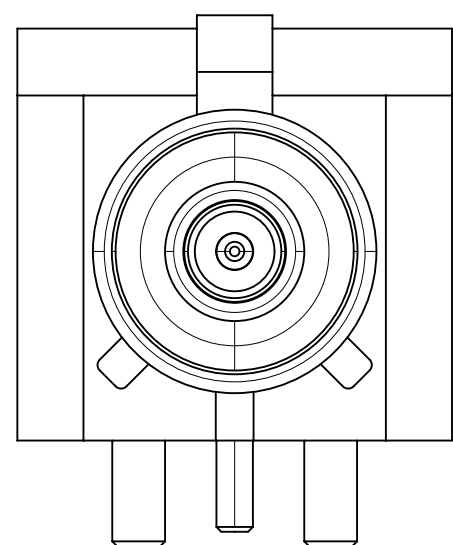
CODE G



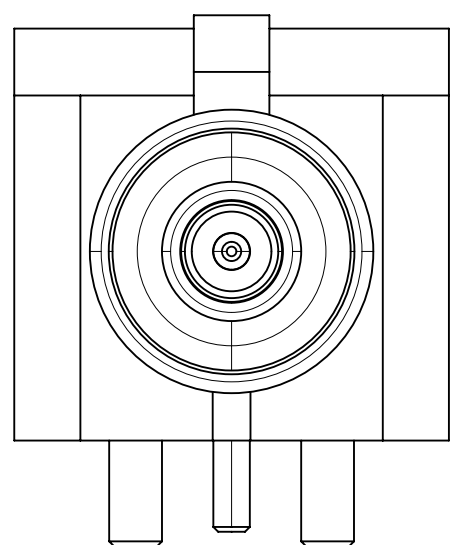
CODE H



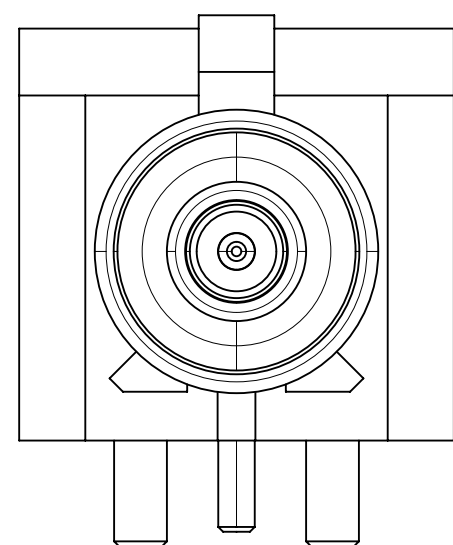
CODE I



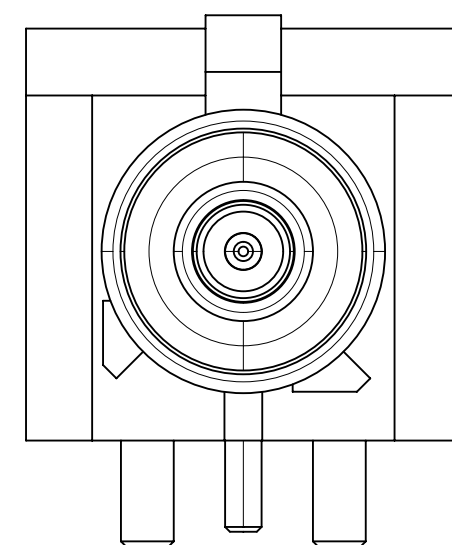
CODE K



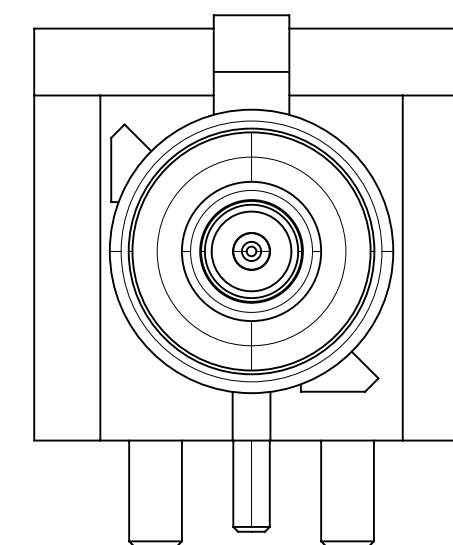
CODE Z



CODE L



CODE M



CODE N

N	PASTEL GREEN	73404-1173
M	PASTEL ORANGE	73404-1172
L	CARMINE RED	73404-1171
Z	WATER BLUE	73404-1170
K	CURRY YELLOW	73404-1169
I	BEIGN	73404-1168
H	VIOLET	73404-1167
G	GRAY	73404-1166
F	BROWN	73404-1165
E	GREEN	73404-1164
D	BORDEAUXVILOET	73404-1163
C	BLUE	73404-1162
B	SINGLE WHITE	73404-1161
A	BLACK	73404-1160
KEYING CODE	COLOR	PART NO.

THIS DRAWING CONTAINS INFORMATION THAT IS PROPRIETARY TO MOLEX ELECTRONIC TECHNOLOGIES, LLC AND SHOULD NOT BE USED WITHOUT WRITTEN PERMISSION											
SYMBOLS		DIMENSION UNITS		SCALE		CURRENT REV DESC:					
▽ = 0	HYBRID	NTS									
▽ = 0	GENERAL TOLERANCES (UNLESS SPECIFIED)										
▽ = 0	ANGULAR TOL ± 2.0°										
▽ = 0	4 PLACES	±	EC NO: 603096								
▽ = 0	3 PLACES	±	DRWN: ELIN			2018/07/25					
▽ = 0	2 PLACES	±	CHK'D: YCHENG			2018/09/06					
▽ = 0	1 PLACE	±	APPR: YCHENG			2018/09/06					
▽ = 0	0 PLACES	±	INITIAL REVISION:								
☒ = 0	DRAFT WHERE APPLICABLE		THIRD ANGLE PROJECTION		DRAWING		SERIES			DOCUMENT NUMBER	
■ = 0	MUST REMAIN WITHIN DIMENSIONS		C-SIZE		73404		SD-73404-116		DOC TYPE DOC PART REVISION		
▽ = 0							PSD 001 B4				
DOCUMENT STATUS			P1			RELEASE DATE			2018/09/06 03:34:10		
MATERIAL NUMBER			CUSTOMER			SHEET NUMBER					
SEE TABLE			GENERAL MARKET			2 OF 4					

molex

FAKRA JACK, R/A ,PCB
50 OHMS TAPE&REEL, FAKRA-J/PCB

PRODUCT CUSTOMER DRAWING

SD-73404-116

PSD 001 B4

SEE TABLE GENERAL MARKET 2 OF 4

FEED DIRECTION →

$.157 \pm .004$
 4.00 ± 0.10
 10 PITCHS CUMULATIVE TOLERANCE ON TAPE $\pm .20$ (.008)

$.079 \pm .006$
 2.00 ± 0.15

$.059 \pm .004$
 $\varnothing 1.50 \pm 0.10$

$.069 \pm .004$
 1.75 ± 0.10

$.582 \pm .006$
 14.78 ± 0.15

$1.141 \pm .008$
 28.97 ± 0.20

1.663
 42.25 MIN.

1.744
 44.30 MAX.

$.715 \pm .008$
 18.16 ± 0.20

$1.102 \pm .006$
 28.00 ± 0.15

SECTION A-A

← REEL

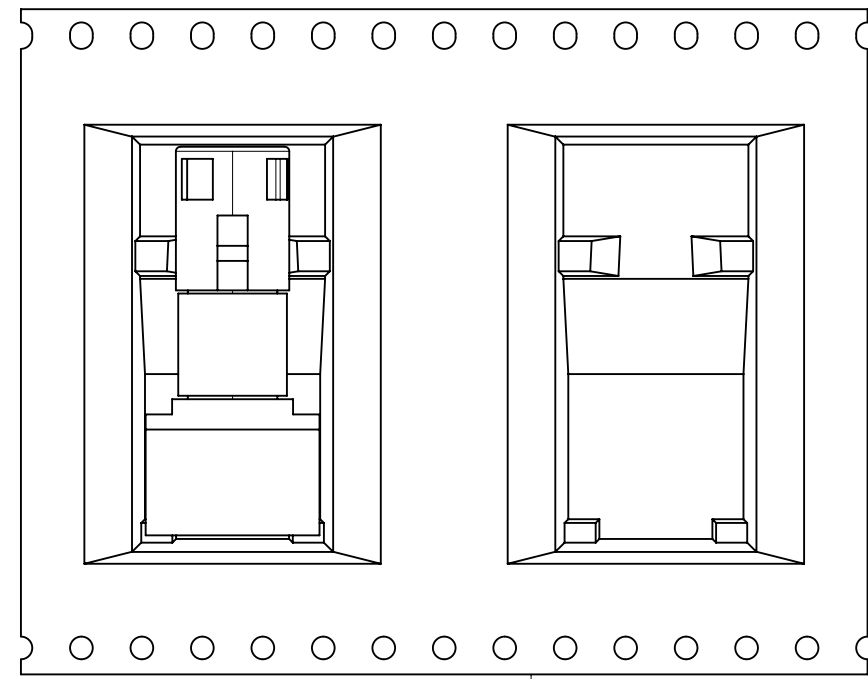
NOTES:
 1. 160 CONNECTORS PER REEL ON 330.2 mm (13.0 IN)
 REEL

SYMBOLS	THIS DRAWING CONTAINS INFORMATION THAT IS PROPRIETARY TO MOLEX ELECTRONIC TECHNOLOGIES, LLC AND SHOULD NOT BE USED WITHOUT WRITTEN PERMISSION		
	DIMENSION UNITS	SCALE	CURRENT REV DESC:
$\nabla = 0$	HYBRID	NTS	EC NO: 603096 DRWN: ELIN 2018/07/25 CHK'D: YCHENG 2018/09/06 APPR: YCHENG 2018/09/06
$\nabla = 0$	GENERAL TOLERANCES (UNLESS SPECIFIED)		
$\nabla = 0$	ANGULAR TOL $\pm 2.0^\circ$		INITIAL REVISION: DRWN: JMASTRIANO 2005/08/30 APPR: JWIENER 2005/08/30
$\nabla = 0$	4 PLACES	\pm	
$\nabla = 0$	3 PLACES	\pm	DOCUMENT NUMBER SD-73404-116
$\nabla = 0$	2 PLACES	\pm	
$\nabla = 0$	1 PLACE	\pm	DOC TYPE PSD
$\nabla = 0$	0 PLACES	\pm	DOC PART 001
$\nabla = 0$	DRAFT WHERE APPLICABLE MUST REMAIN WITHIN DIMENSIONS		REVISION B4
$\nabla = 0$	THIRD ANGLE PROJECTION	DRAWING	MATERIAL NUMBER SEE TABLE
		C-SIZE	CUSTOMER GENERAL MARKET
		SERIES 73404	SHEET NUMBER 3 OF 4

molex

FAKRA JACK, R/A ,PCB
 50 OHMS TAPE&REEL, FAKRA-J/PCB

PRODUCT CUSTOMER DRAWING



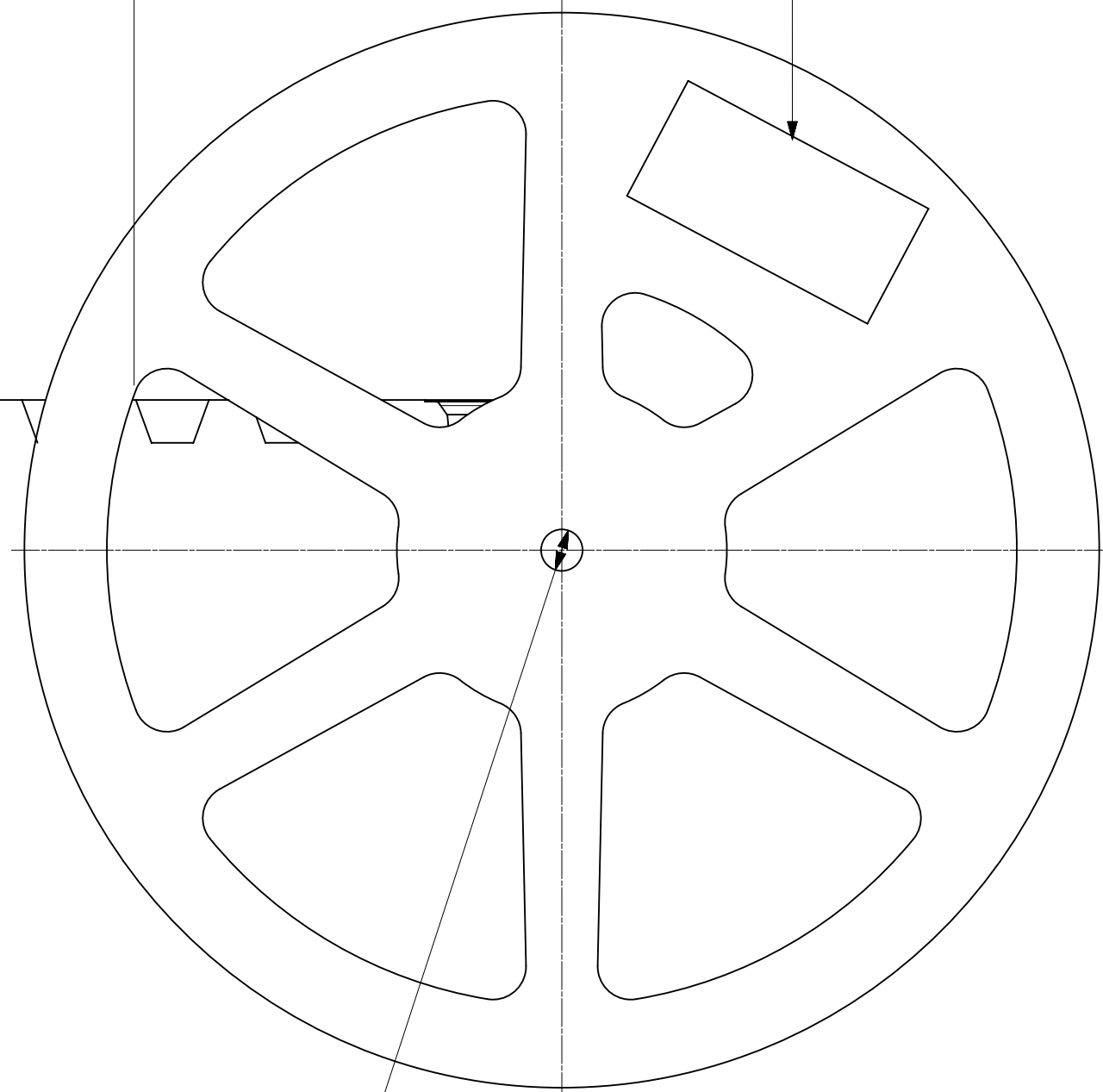
TOP VIEW

[12.992]
330.00 MIN.

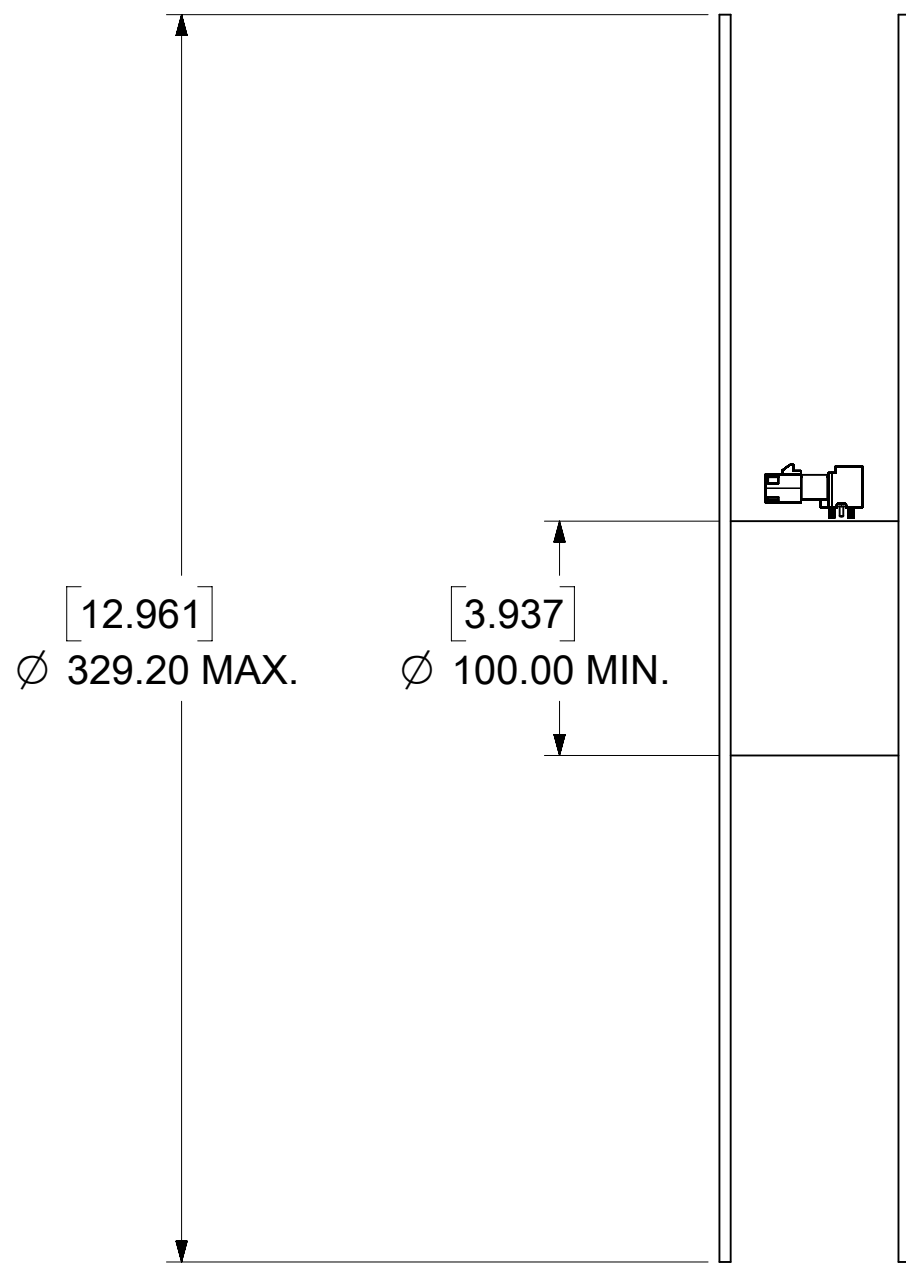
[5.906]
150.00 MIN.
CARRIER TAPE
SEALED WITH
COVER TAPE

LABEL:
- ORDER NO.
- QUANTITY
- PART NO.
- LOT NO.

250mm MIN OF CARRIER AND /OR COVER TAPE.
PLUS 80mm MINIMUM OF CARRIER TAPE SEALED
WITH COVER TAPE



[.531 ± .039]
Ø 13.50 ± 1.00



[12.961]
Ø 329.20 MAX.

[3.937]
Ø 100.00 MIN.

[1.748 ± .079]
44.40 ± 2.00

[2.008]
51.00 MAX.

THIS DRAWING CONTAINS INFORMATION THAT IS PROPRIETARY TO MOLEX ELECTRONIC TECHNOLOGIES, LLC AND SHOULD NOT BE USED WITHOUT WRITTEN PERMISSION									
SYMBOLS		DIMENSION UNITS		SCALE		CURRENT REV DESC:			
▽ = 0	HYBRID	NTS				EC NO: 603096			
▽ = 0	GENERAL TOLERANCES (UNLESS SPECIFIED)				DRWN: ELIN		2018/07/25		
▽ = 0	ANGULAR TOL ± 2.0°				CHK'D: YCHENG		2018/09/06		
▽ = 0	4 PLACES ±				APPR: YCHENG		2018/09/06		
▽ = 0	3 PLACES ±				INITIAL REVISION:				
▽ = 0	2 PLACES ±				DRWN: JMASTRIANO		2005/08/30		
▽ = 0	1 PLACE ±				APPR: JWIENER		2005/08/30		
▽ = 0	0 PLACES ±				DRAFT WHERE APPLICABLE MUST REMAIN WITHIN DIMENSIONS		THIRD ANGLE PROJECTION		DRAWING
▽ = 0					C-SIZE		SERIES		MATERIAL NUMBER
						73404		CUSTOMER	
						SEE TABLE		GENERAL MARKET	
								SHEET NUMBER	
								4 OF 4	

molex

FAKRA JACK, R/A ,PCB
50 OHMS TAPE&REEL, FAKRA-J/PCB

PRODUCT CUSTOMER DRAWING

DOCUMENT NUMBER
SD-73404-116

DOC TYPE
PSD

DOC PART
001

REVISION
B4

X-ON Electronics

Largest Supplier of Electrical and Electronic Components

Click to view similar products for [RF Connectors / Coaxial Connectors](#) category:

Click to view products by [Molex](#) manufacturer:

Other Similar products are found below :

[8915-1511-000](#) [89674-0827](#) [6001-7071-019](#) [6002-7051-003](#) [6002-7551-202](#) [6059674-1](#) [619550-1](#) [630059-000](#) [M39030/3-01N](#) [6500-7071-046](#) [6769](#) [CX050L2AQ](#) [7002-1542-011](#) [7004-1512-000](#) [7009-1511-004](#) [7010-1511-000](#) [7029-1511-060](#) [7101-1541-010](#) [7101-1571-002](#) [7105-1521-002](#) [7145-1521-002](#) [7203-1571-003](#) [7209-1511-011](#) [7210-1511-015](#) [7210-1511-019](#) [73137-5015](#) [73216-2241](#) [73404-2300](#) [7405-1521-005](#) [7405-1521-802](#) [8527](#) [8547](#) [FS11V](#) [8808-1511-001](#) [9049-9513-000](#) [9074-9513-000](#) [9101-9573-002](#) [910A205F](#) [9130-9573-002](#) [PL11SC-026](#) [PL375-33](#) [PL40-5](#) [PL74C-221](#) [PL75MC-217](#) [PL803-7](#) [980-8666-005](#) [1200690078](#) [1-201144-1](#) [R107003010W](#) [R110A172100](#)