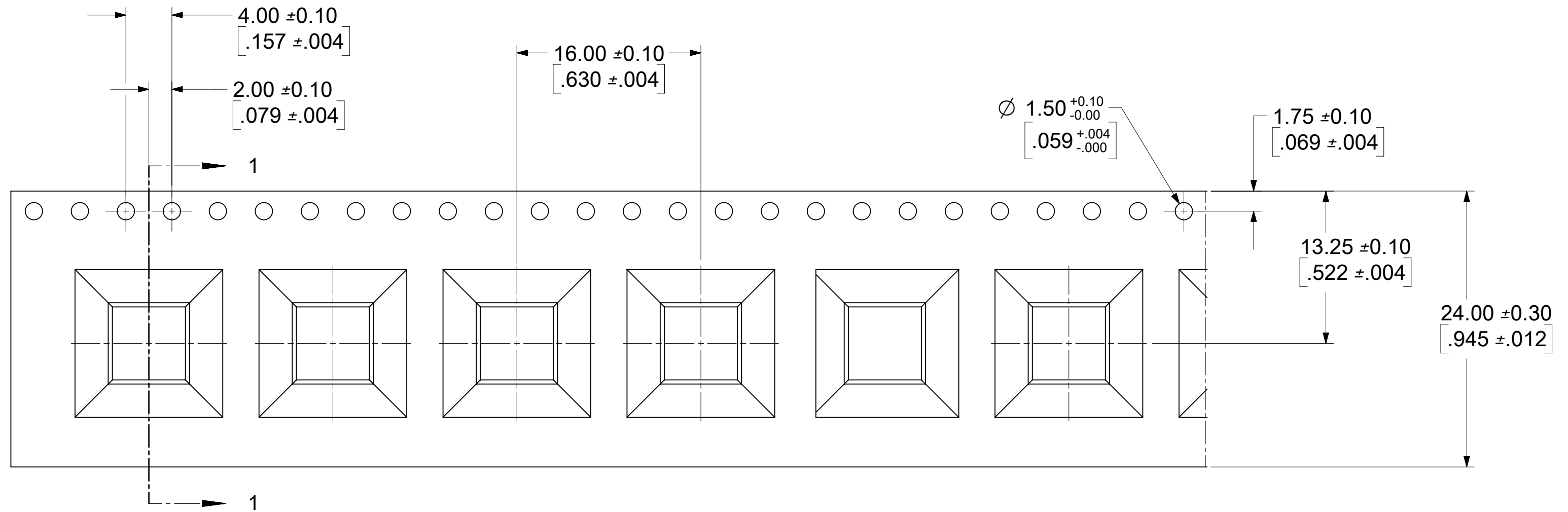
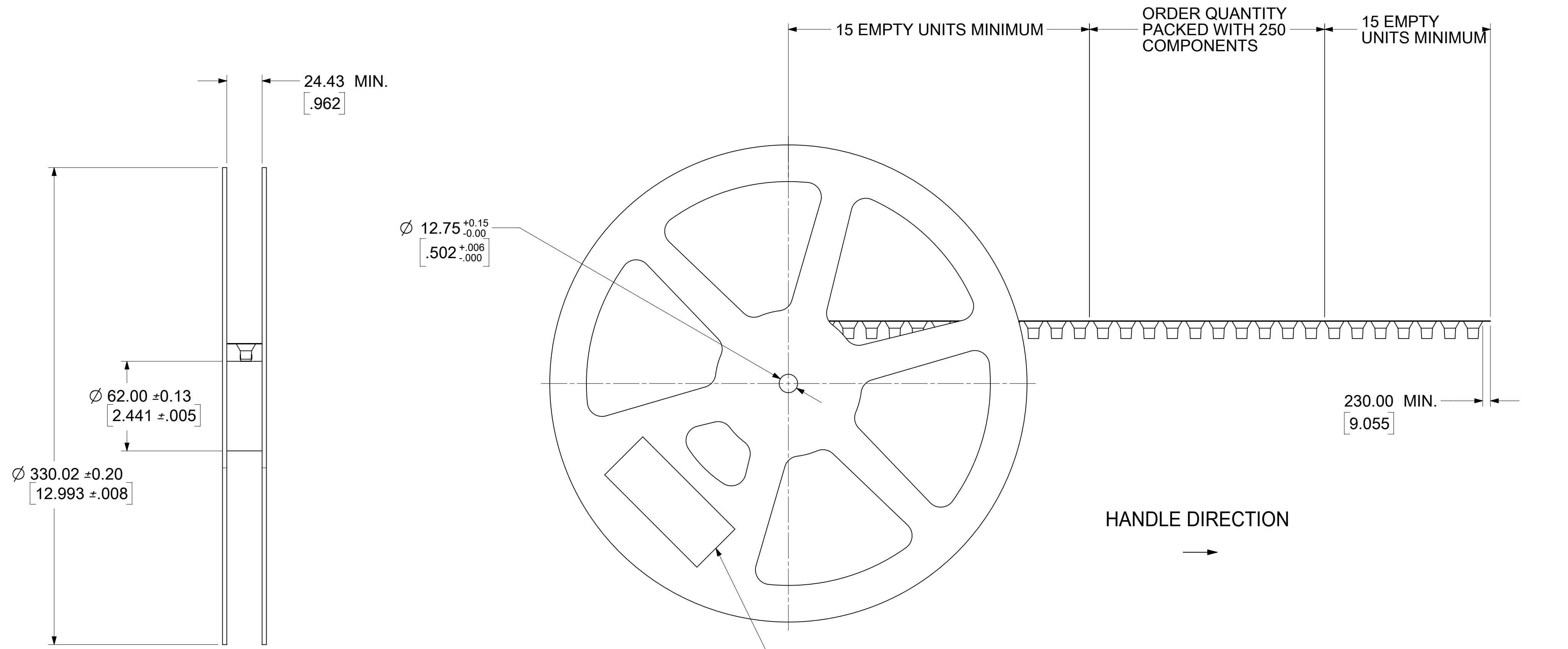


Section 1-1

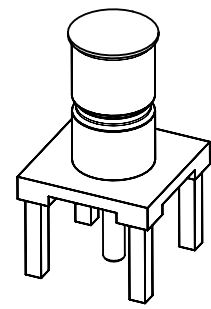


FUNCTIONAL SYMBOLS	THIS DRAWING CONTAINS INFORMATION THAT IS PROPRIETARY TO MOLEX ELECTRONIC TECHNOLOGIES, LLC AND SHOULD NOT BE USED WITHOUT WRITTEN PERMISSION										
	DIMENSION UNITS	SCALE	CURRENT REV DESC: EWR-13882-A ADDED 73396-0592 PART NO							molex	
$\frac{F}{A} = 0$	HYBRID	1:1	EC NO: 645598								
$\frac{F}{C} = 0$	GENERAL TOLERANCES (UNLESS SPECIFIED)		DRWN: JSU18 2020/06/24							PRODUCT CUSTOMER DRAWING	
$\frac{F}{P} = 0$	ANGULAR TOL ± °		CHK'D: YCHENG 2020/09/24							DOCUMENT NUMBER	
DIVISIONAL SYMBOLS	4 PLACES ±		APPR: YCHENG 2020/09/24							SD-73100-0207	
	3 PLACES ±		INITIAL REVISION:							DOC TYPE	
	2 PLACES ±		DRWN: RFC_PLMIMP 2017/11/01							PSD	
	1 PLACE ±		APPR: JWIENER 2007/05/01							001	
0 PLACES ±		THIRD ANGLE PROJECTION		DRAWING		SERIES		DOC PART		REVISION	
DRAFT WHERE APPLICABLE MUST REMAIN WITHIN DIMENSIONS				C-SIZE		73100		GENERAL MARKET		B5	
MATERIAL NUMBER		CUSTOMER		SHEET NUMBER							
		GENERAL MARKET		2 OF 4							

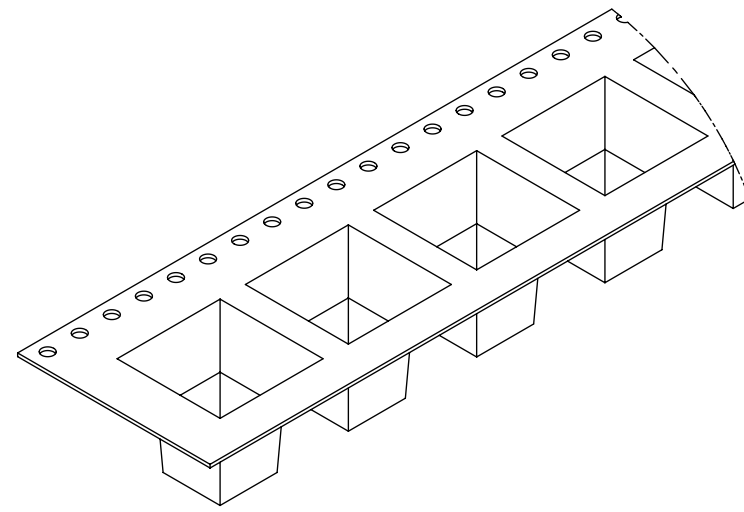


LABEL:
 - ORDER
 - QUANTITY
 - PART NUMBER
 - LOT NO.

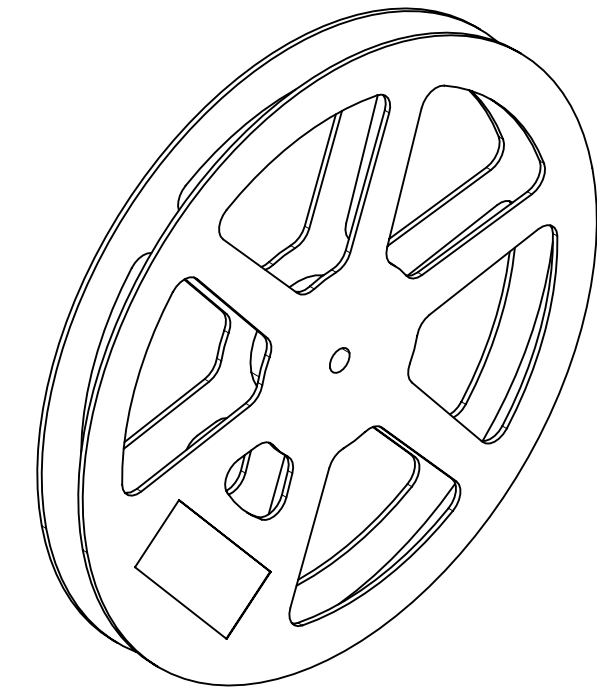
THIS DRAWING CONTAINS INFORMATION THAT IS PROPRIETARY TO MOLEX ELECTRONIC TECHNOLOGIES, LLC AND SHOULD NOT BE USED WITHOUT WRITTEN PERMISSION										
FUNCTIONAL SYMBOLS	THIS DRAWING CONTAINS INFORMATION THAT IS PROPRIETARY TO MOLEX ELECTRONIC TECHNOLOGIES, LLC AND SHOULD NOT BE USED WITHOUT WRITTEN PERMISSION	SCALE	CURRENT REV DESC: EWR-13882-A ADDED 73396-0592 PART NO							
	DIMENSION UNITS	HYBRID	1:1							
DIVISIONAL SYMBOLS	GENERAL TOLERANCES (UNLESS SPECIFIED)	EC NO: 645598								
	ANGULAR TOL ± °	DRWN: JSU18 2020/06/24								
4 PLACES ±	CHK'D: YCHENG 2020/09/24						SMB JACK, VERTICAL PCB 50 OHMS SMB-JR/PCB			
3 PLACES ±	APPR: YCHENG 2020/09/24							PRODUCT CUSTOMER DRAWING		
2 PLACES ±	INITIAL REVISION:						DOCUMENT NUMBER SD-73100-0207		DOC TYPE PSD	DOC PART 001
1 PLACE ±	DRWN: RFC_PLMIMP 2017/11/01									
0 PLACES ±	APPR: JWIENER 2007/05/01						MATERIAL NUMBER CUSTOMER GENERAL MARKET	SHEET NUMBER 3 OF 4		
DRAFT WHERE APPLICABLE MUST REMAIN WITHIN DIMENSIONS	THIRD ANGLE PROJECTION	DRAWING	SERIES							
		C-SIZE	73100							



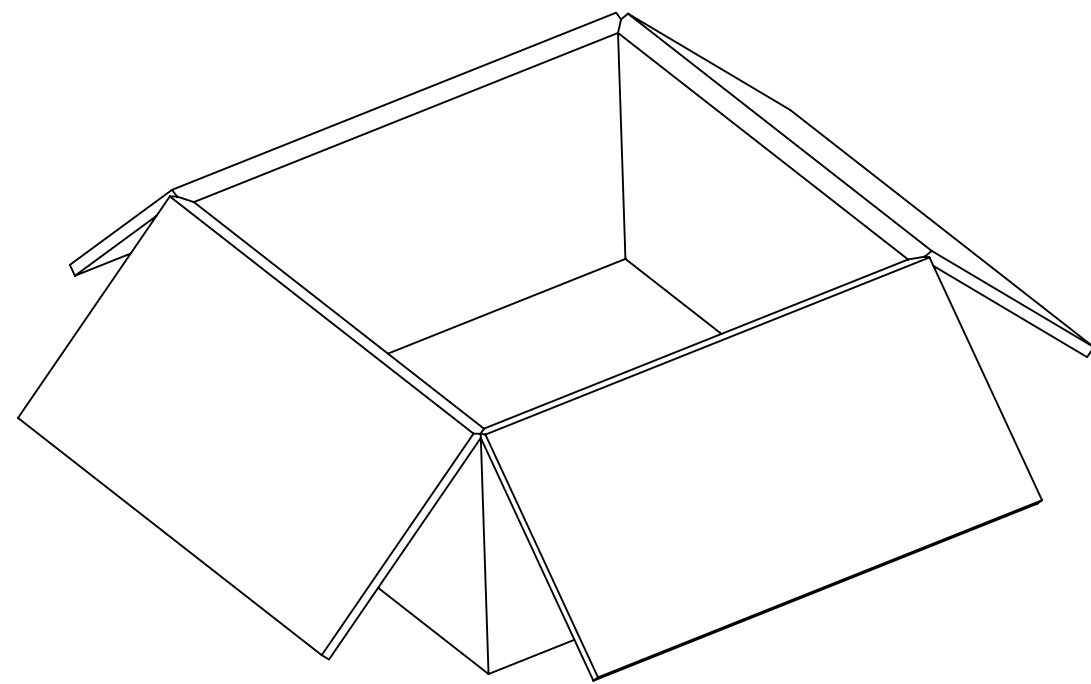
P/N: 73396-0592 ONLY



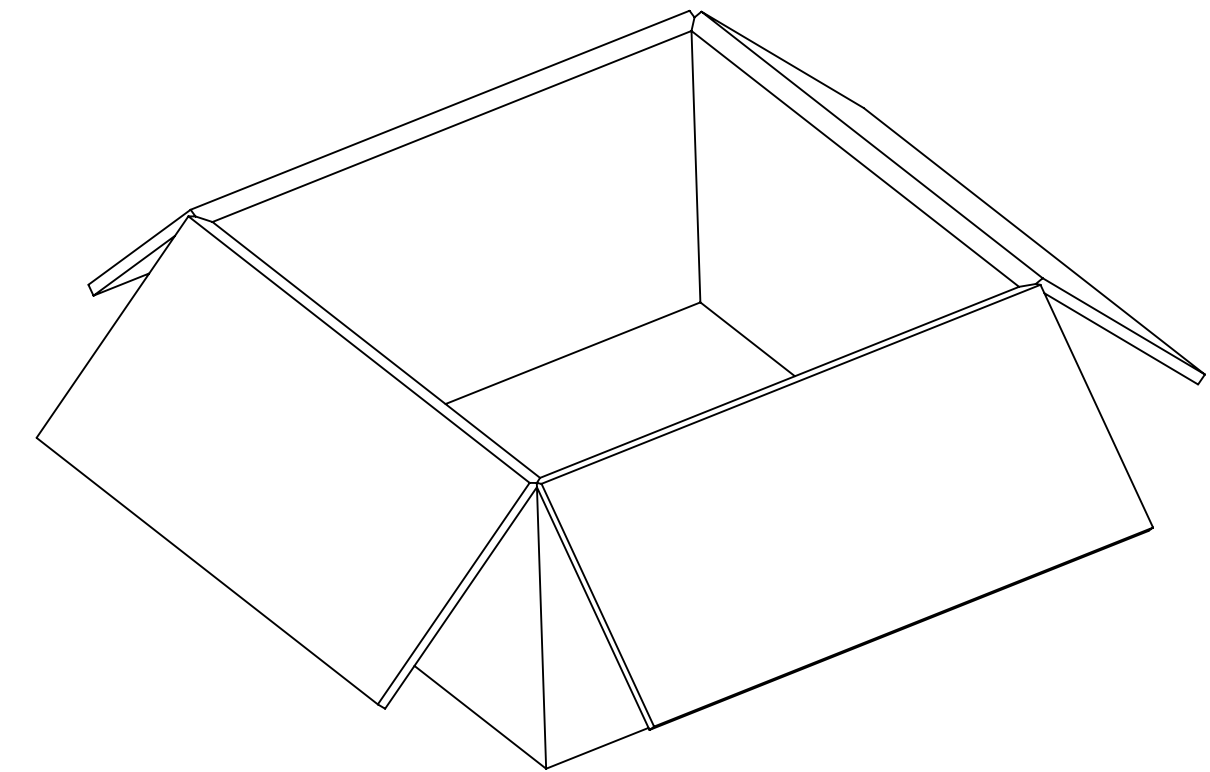
P/N: 89707-0467



250 SET PER 13" REEL



1250 SET PER INNER
CARTON BOX
343 X 343 X 188 REF.



1250 SET PER OUTER
CARTON BOX
394 X 391 X 212 REF.

FUNCTIONAL SYMBOLS										THIS DRAWING CONTAINS INFORMATION THAT IS PROPRIETARY TO MOLEX ELECTRONIC TECHNOLOGIES, LLC AND SHOULD NOT BE USED WITHOUT WRITTEN PERMISSION									
DIMENSION UNITS		SCALE		CURRENT REV DESC: EWR-13882-A ADDED 73396-0592 PART NO						molex									
HYBRID		1:1		EC NO: 645598															
GENERAL TOLERANCES (UNLESS SPECIFIED)		DRWN: JSU18 2020/06/24						SMB JACK, VERTICAL PCB 50 OHMS SMB-JR/PCB											
ANGULAR TOL ± °		CHK'D: YCHENG 2020/09/24																	
DIVISIONAL SYMBOLS		APPR: YCHENG 2020/09/24						PRODUCT CUSTOMER DRAWING											
4 PLACES ±		INITIAL REVISION:						DOCUMENT NUMBER		DOC TYPE		DOC PART		REVISION					
3 PLACES ±		DRWN: RFC_PLMIMP 2017/11/01						SD-73100-0207		PSD		001		B5					
2 PLACES ±		APPR: JWIENER 2007/05/01						MATERIAL NUMBER		CUSTOMER		SHEET NUMBER							
1 PLACE ±		DRAFT WHERE APPLICABLE MUST REMAIN WITHIN DIMENSIONS		THIRD ANGLE PROJECTION		DRAWING		SERIES		GENERAL MARKET		4 OF 4							
0 PLACES ±				C-SIZE		73100													

X-ON Electronics

Largest Supplier of Electrical and Electronic Components

Click to view similar products for [RF Connectors](#) / [Coaxial Connectors](#) category:

Click to view products by [Molex](#) manufacturer:

Other Similar products are found below :

[8915-1511-000](#) [89674-0827](#) [6001-7071-019](#) [6002-7051-003](#) [6002-7551-202](#) [6059674-1](#) [619550-1](#) [630059-000](#) [M39030/3-01N](#) [6500-7071-046](#) [6769](#) [CX050L2AQ](#) [7002-1542-011](#) [7004-1512-000](#) [7009-1511-004](#) [7010-1511-000](#) [7029-1511-060](#) [7101-1541-010](#) [7101-1571-002](#) [7105-1521-002](#) [7145-1521-002](#) [7203-1571-003](#) [7209-1511-011](#) [7210-1511-015](#) [7210-1511-019](#) [73137-5015](#) [73216-2241](#) [73404-2300](#) [7405-1521-005](#) [7405-1521-802](#) [8527](#) [8547](#) [FS11V](#) [8808-1511-001](#) [9049-9513-000](#) [9074-9513-000](#) [9101-9573-002](#) [910A205F](#) [9130-9573-002](#) [PL11SC-026](#) [PL375-33](#) [PL40-5](#) [PL74C-221](#) [PL75MC-217](#) [PL803-7](#) [980-8666-005](#) [1200690078](#) [1-201144-1](#) [R107003010W](#) [R110A172100](#)