

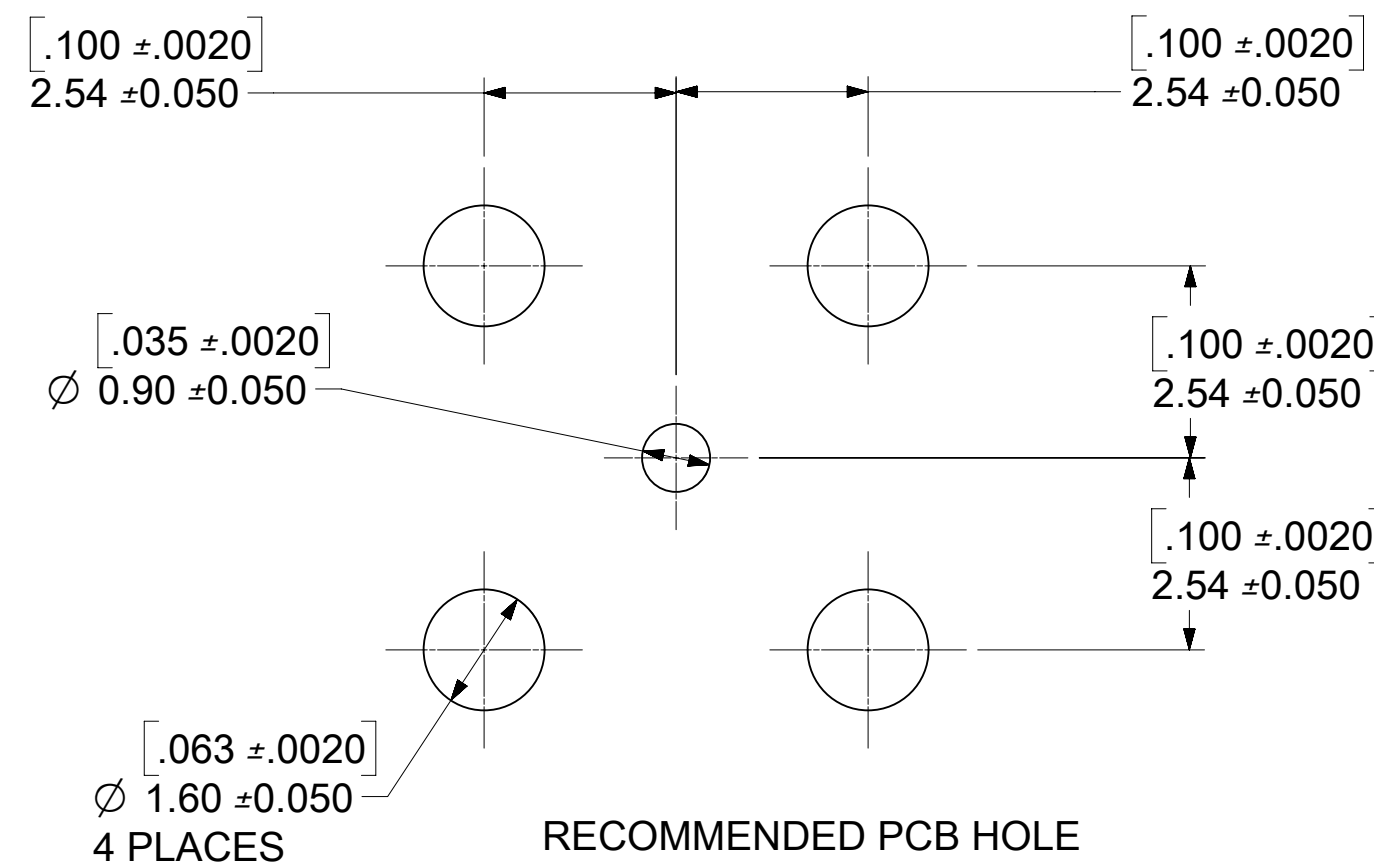
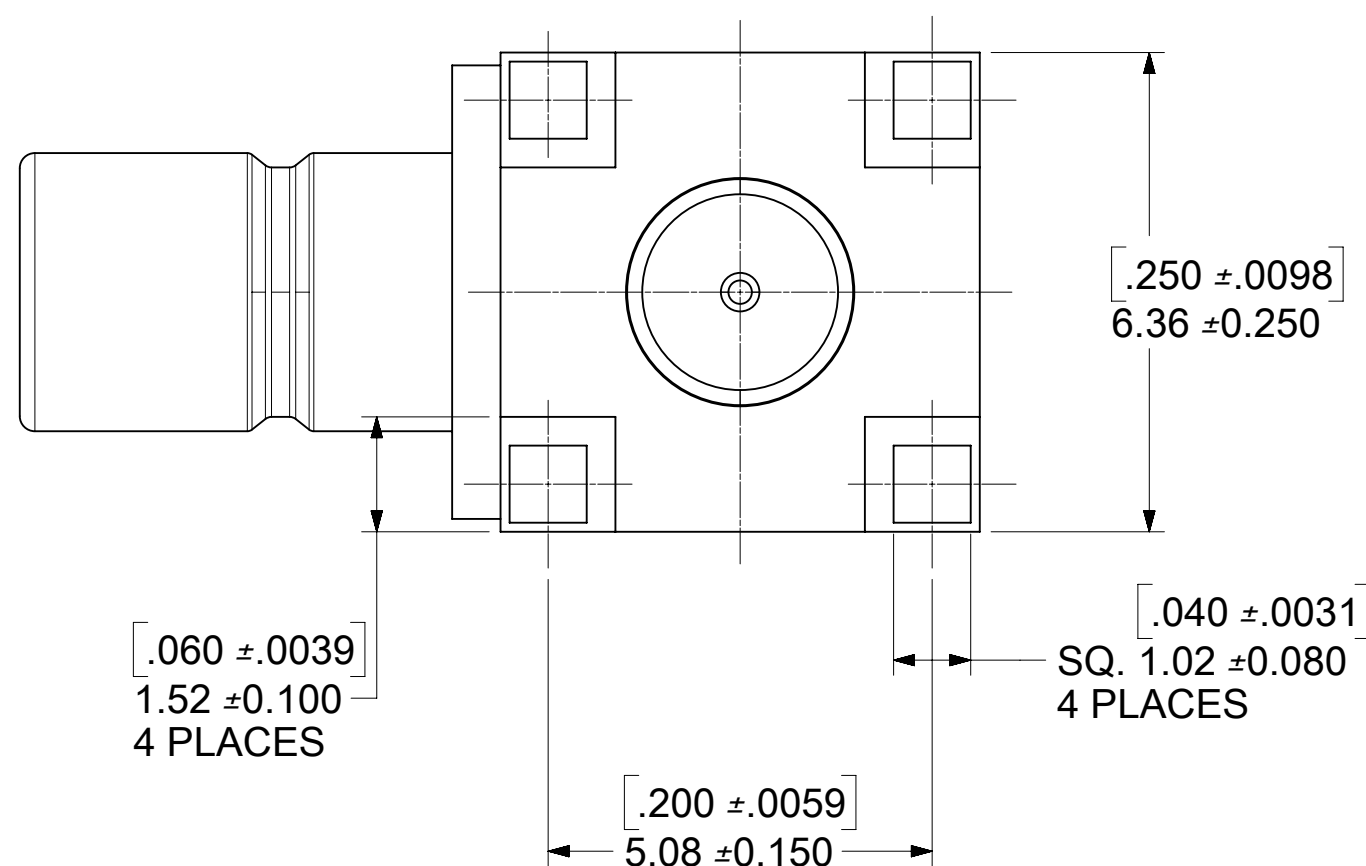
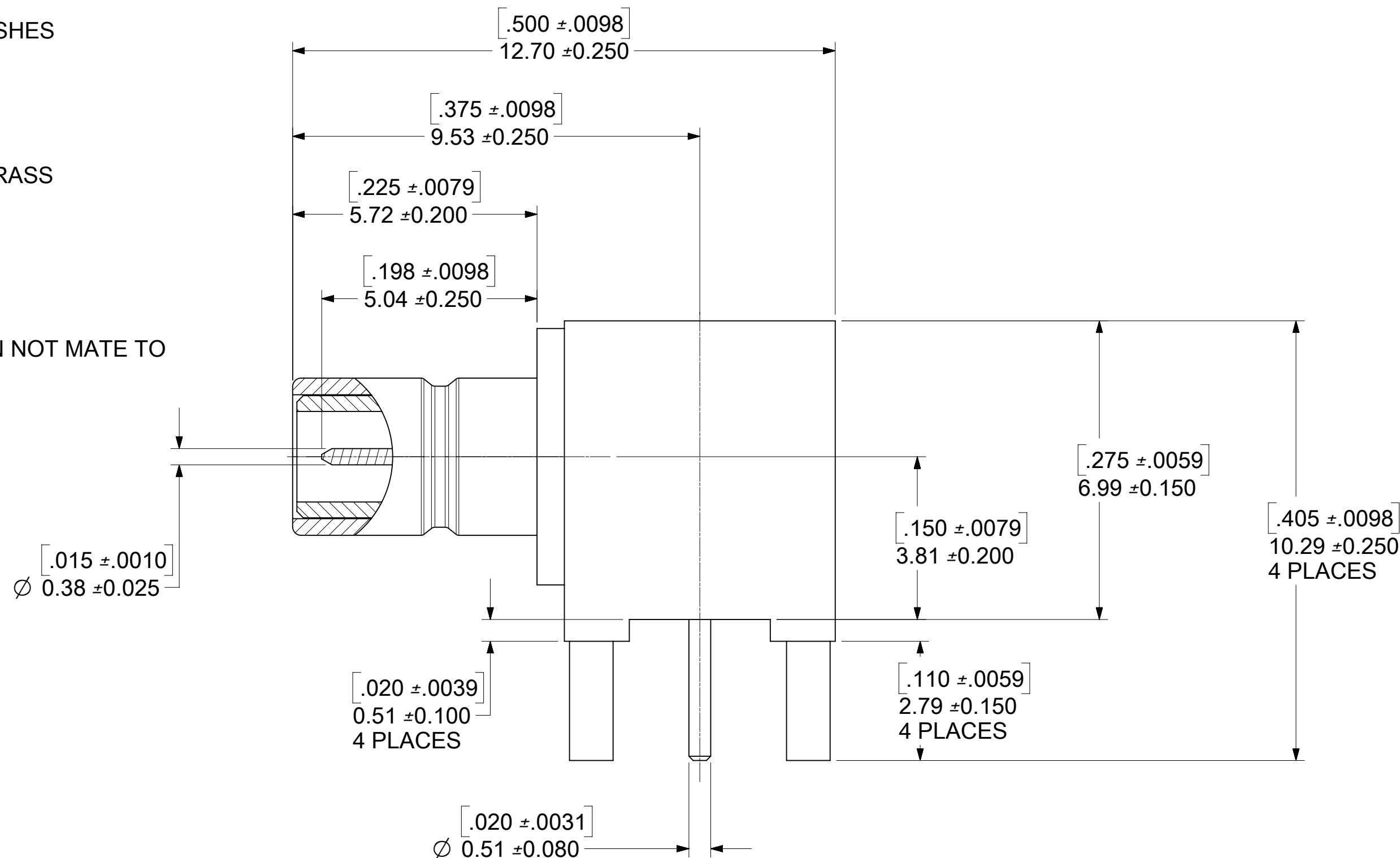
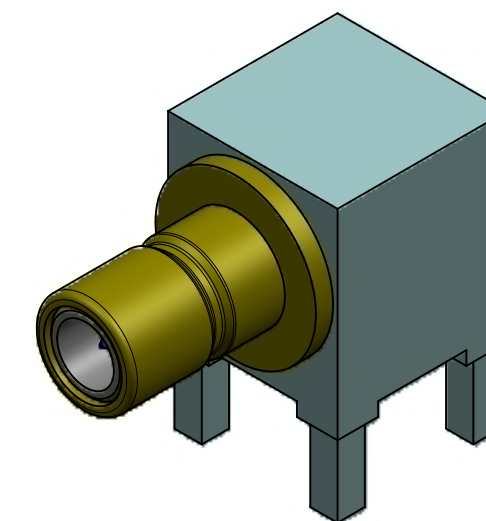
MATERIALS AND FINISHES

BODY BRASS
PLATED GOLD

CENTER CONTACT BRASS
PLATED GOLD

INSULATOR TEFLON

NOTES:
1. SPECIAL SMB CAN NOT MATE TO
STANDARD SMB



73404-2330	73100-0259, ONE PER BAG
73100-0259	TRAY
PART NO.	PACKAGING

PS-73598-0104	ELECTRO/MECH. PERFORM.
SPECIFICATION	DESCRIPTION

2018/03/30	B3	CHANGE TITLE AND ADDED NOTES PER 11900
2017/11/07	B2	ADDED TOLERANCE PER RF17-E129
2007/05/01	B1	REDREW IN SD ADDED 73404-2330
DATE	REV.	DESCRIPTION

DOCUMENT STATUS	P1	RELEASE DATE	2018/05/03 08:38:03
-----------------	----	--------------	---------------------

THIS DRAWING CONTAINS INFORMATION THAT IS PROPRIETARY TO MOLEX ELECTRONIC TECHNOLOGIES, LLC AND SHOULD NOT BE USED WITHOUT WRITTEN PERMISSION

DIMENSION UNITS	SCALE	CURRENT REV DESC:		molex		
HYBRID	1:1					
GENERAL TOLERANCES (UNLESS SPECIFIED)		EC NO: 174450		SMB JACK, R/A, PCB SPECIAL RECEPTACLE MATE TO .017 SMB-J/RA/PCB		
ANGULAR TOL	± 2.0°	4 PLACES	±	DRWN: ELIN	2018/03/30	PRODUCT CUSTOMER DRAWING
3 PLACES	±	CHK'D: YCHENG	2018/05/03	APPR: YCHENG	2018/05/03	
2 PLACES	±	INITIAL REVISION:		DOCUMENT NUMBER		
1 PLACE	±	DRWN: TFLAHERTY	2007/05/01	SD-73100-0259		
0 PLACES	±	APPR: GHUBBARD	1993/07/20	DOC TYPE	DOC PART	REVISION
DRAFT WHERE APPLICABLE MUST REMAIN WITHIN DIMENSIONS		THIRD ANGLE PROJECTION	DRAWING	SERIES	MATERIAL NUMBER	CUSTOMER
			C-SIZE	73100	731000259	GENERAL MARKET
						SHEET NUMBER
						1 OF 1

X-ON Electronics

Largest Supplier of Electrical and Electronic Components

Click to view similar products for [RF Connectors / Coaxial Connectors](#) category:

Click to view products by [Molex](#) manufacturer:

Other Similar products are found below :

[8915-1511-000](#) [89674-0827](#) [6001-7071-019](#) [6002-7051-003](#) [6002-7551-202](#) [6059674-1](#) [619550-1](#) [630059-000](#) [M39030/3-01N](#) [6500-7071-046](#) [6769](#) [CX050L2AQ](#) [7002-1542-011](#) [7004-1512-000](#) [7009-1511-004](#) [7010-1511-000](#) [7029-1511-060](#) [7101-1541-010](#) [7101-1571-002](#) [7105-1521-002](#) [7145-1521-002](#) [7203-1571-003](#) [7209-1511-011](#) [7210-1511-015](#) [7210-1511-019](#) [73137-5015](#) [73216-2241](#) [73404-2300](#) [7405-1521-005](#) [7405-1521-802](#) [8527](#) [8547](#) [FS11V](#) [8808-1511-001](#) [9049-9513-000](#) [9074-9513-000](#) [9101-9573-002](#) [910A205F](#) [9130-9573-002](#) [PL11SC-026](#) [PL375-33](#) [PL40-5](#) [PL74C-221](#) [PL75MC-217](#) [PL803-7](#) [980-8666-005](#) [1200690078](#) [1-201144-1](#) [R107003010W](#) [R110A172100](#)