

MATERIALS AND FINISHES

PART NO.73413-0050

BODY BRASS
PLATED GOLD

CENTER CONTACT BERYLLIUM COPPER
PLATED GOLD

INSULATOR TEFLON

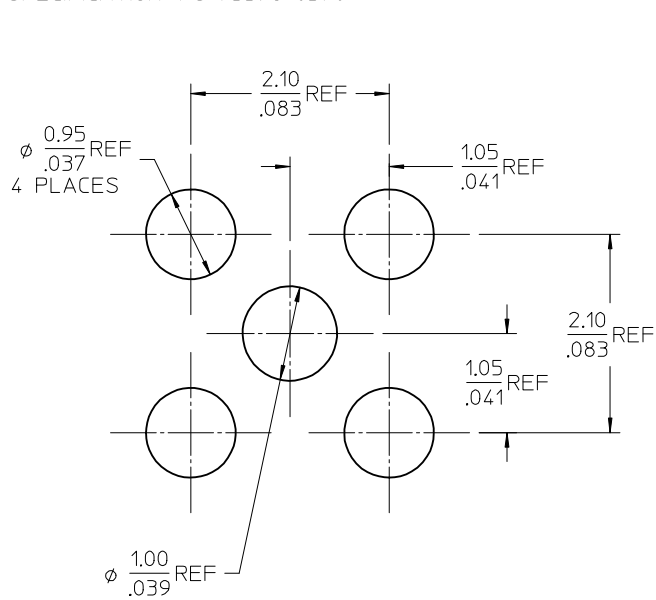
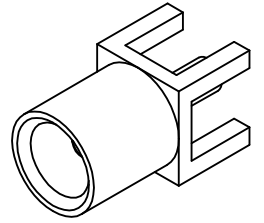
SPECIFICATION: PS-73598-0370

PART NO.73413-0051

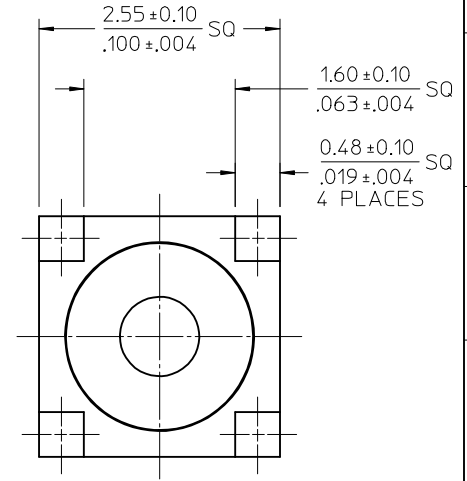
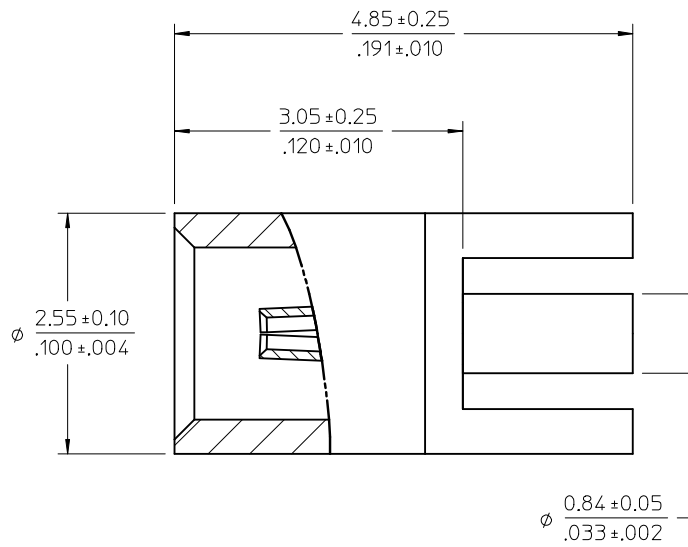
BODY BERYLLIUM COPPER
PLATED TRI-METAL

CENTER CONTACT BERYLLIUM COPPER
PLATED GOLD

INSULATOR TEFLON



RECOMMENDED PCB HOLES



73413-0051	NON-MAGNETIC TYPE
73413-0050	GENERAL TYPE
PART NUMBER	DESCRIPTION

73413-0052	73413-0050, ONE PER BAG
73413-0051	BULK
73413-0050	BULK
PART NO.	PACKAGING

CHG: UPDATED DEPICTION OF BODY AND CONTACT AND CONTACT 4.85±0.25 WAS 4.92±0.25, 3.05±0.25 WAS 3.12±0.25 ADDED -0052

EC NO: URF2007-0301
 DRWNS:SHAH 2007/01/29
 CHKD:FLAHERY 2007/01/29
 APPR:WIENER 2007/01/29

QUALITY SYMBOLS
 ▼=0
 ▽=0

DESCRIPTION
 A4

GENERAL TOLERANCES (UNLESS SPECIFIED)

	mm	INCH
4 PLACES	± .005	± .0002
3 PLACES	± .004	± .00015
2 PLACES	± .003	± .0001
1 PLACE	± .002	± .00008

ANGULAR ± 2°

DRAFT WHERE APPLICABLE MUST REMAIN WITHIN DIMENSIONS

DIMENSION STYLE MM/IN

DRAWN BY JOHN DATE 2005/03/24

CHECKED BY PENNY DATE 2005/03/24

APPROVED BY MISEN DATE 2005/03/24

MATERIAL NO. SEE TABLE

SCALE METRIC

DESIGN UNITS METRIC

THIRD ANGLE PROJECTION

TITLE SSMCX, 50 OHM VERTICAL JACK PCB TYPE SSMCX-J/PCB

MOLEX INCORPORATED

DOCUMENT NO. SD-73413-005

SHEET NO. 1 OF 1

THIS DRAWING CONTAINS INFORMATION THAT IS PROPRIETARY TO MOLEX INCORPORATED AND SHOULD NOT BE USED WITHOUT WRITTEN PERMISSION

X-ON Electronics

Largest Supplier of Electrical and Electronic Components

Click to view similar products for [RF Connectors / Coaxial Connectors](#) category:

Click to view products by [Molex](#) manufacturer:

Other Similar products are found below :

[8915-1511-000](#) [89674-0827](#) [6001-7071-019](#) [6002-7051-003](#) [6002-7551-202](#) [6059674-1](#) [619550-1](#) [630059-000](#) [M39030/3-01N](#) [6500-7071-046](#) [6769](#) [CX050L2AQ](#) [7002-1542-011](#) [7004-1512-000](#) [7009-1511-004](#) [7010-1511-000](#) [7029-1511-060](#) [7101-1541-010](#) [7101-1571-002](#) [7105-1521-002](#) [7145-1521-002](#) [7203-1571-003](#) [7209-1511-011](#) [7210-1511-015](#) [7210-1511-019](#) [73137-5015](#) [73216-2241](#) [73404-2300](#) [7405-1521-005](#) [7405-1521-802](#) [8527](#) [8547](#) [FS11V](#) [8808-1511-001](#) [9049-9513-000](#) [9074-9513-000](#) [9101-9573-002](#) [910A205F](#) [9130-9573-002](#) [PL11SC-026](#) [PL375-33](#) [PL40-5](#) [PL74C-221](#) [PL75MC-217](#) [PL803-7](#) [980-8666-005](#) [1200690078](#) [1-201144-1](#) [R107003010W](#) [R110A172100](#)