

MATERIALS AND FINISHES

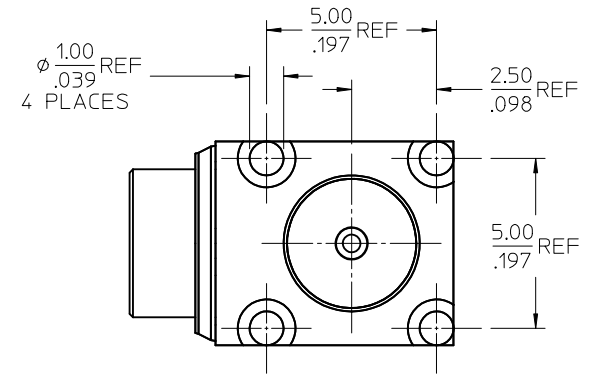
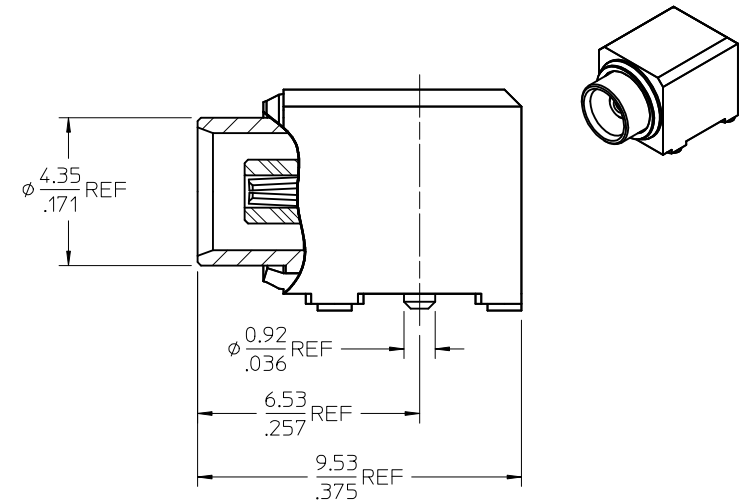
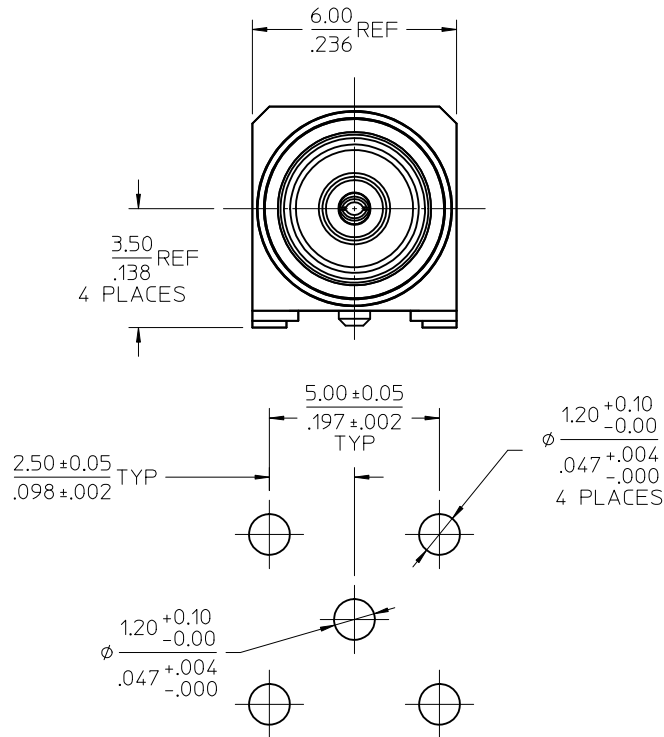
BODY: BRASS
PLATED: SEE TABLE

CENTER CONTACT: BERYLLIUM COPPER
PLATED: GOLD (SEE TABLE FOR THICKNESS)

HOUSING: ZINC ALLOY
PLATED: TIN/ZINC/COPPER ALLOY (TRI-M)

INSULATOR: TEFLON (UL 94V-0)

PACKAGING: SEE TABLE

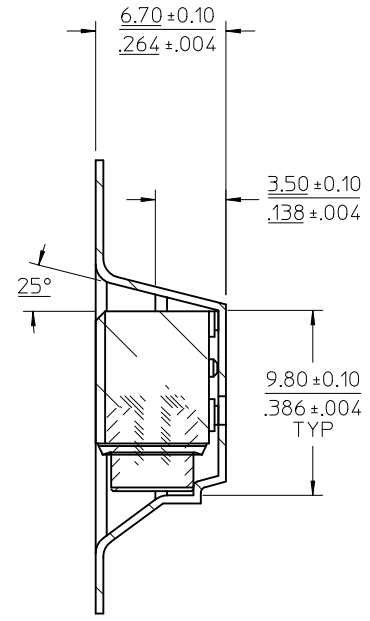
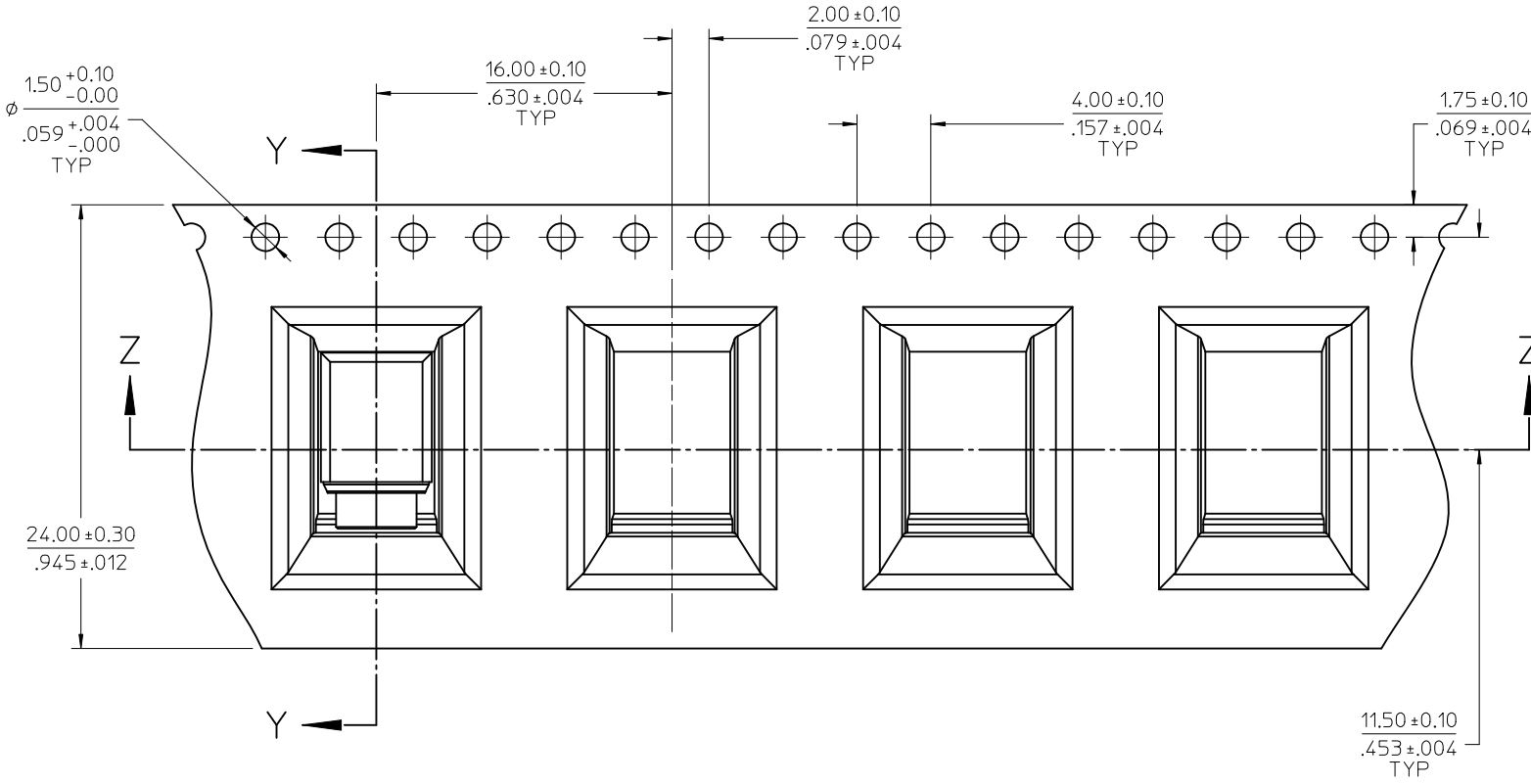


RECOMMEND PCB PATTERN

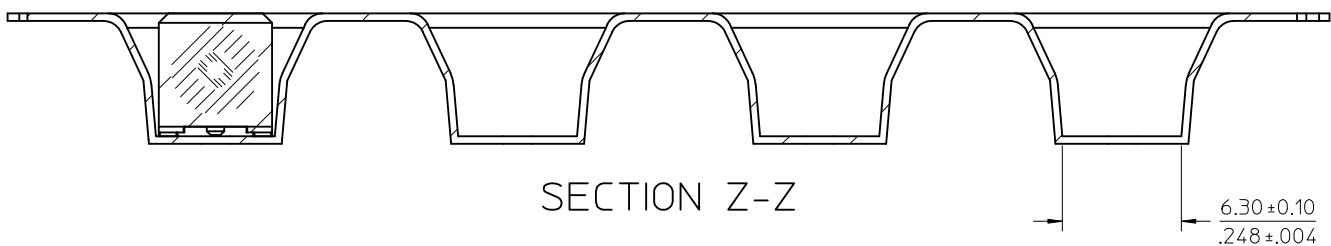
| | | | |
|------------|---------|---------------|---------|
| 73415-1104 | GOLD | ONE PER BAG | 30u" |
| 73415-1103 | NICKEL | TAPE AND REEL | 10u" |
| 73415-1102 | GOLD | TAPE AND REEL | 30u" |
| 73415-1101 | NICKEL | TAPE AND REEL | 30u" |
| 73415-1100 | NICKEL | TRAY | 30u" |
| PART NO. | PLATING | PACKAGING | CONTACT |
| | BODY | | PLATING |

| | |
|---------------|-----------------------|
| PS-89675-1830 | PRODUCT SPECIFICATION |
| SPECIFICATION | DESCRIPTION |

| CHG: ADD UL REFERENCE FOR TEFLON EC NO: URF2012-0588 DRWN: WIENER 2012/04/10 CHKD: SSS 2012/04/10 APPR: WIENER 2012/04/16 REV: C7 | QUALITY SYMBOLS ▽=0 ▽=0 | GENERAL TOLERANCES (UNLESS SPECIFIED) <table border="1"> <thead> <tr> <th></th> <th>mm</th> <th>INCH</th> </tr> </thead> <tbody> <tr> <td>4 PLACES</td> <td>± .005</td> <td>± .0002</td> </tr> <tr> <td>3 PLACES</td> <td>± .005</td> <td>± .0002</td> </tr> <tr> <td>2 PLACES</td> <td>± .005</td> <td>± .0002</td> </tr> <tr> <td>1 PLACE</td> <td>± .005</td> <td>± .0002</td> </tr> </tbody> </table> ANGULAR ± 2 ° | | mm | INCH | 4 PLACES | ± .005 | ± .0002 | 3 PLACES | ± .005 | ± .0002 | 2 PLACES | ± .005 | ± .0002 | 1 PLACE | ± .005 | ± .0002 | DIMENSION STYLE MM/IN | SCALE DESIGN UNITS METRIC | THIRD ANGLE PROJECTION |
|--|-------------------------------|--|-----------|--|------|----------|--------|---------|----------|--------|---------|----------|--------|---------|---------|--------|---------|--------------------------|---------------------------------|------------------------|
| | | mm | INCH | | | | | | | | | | | | | | | | | |
| | 4 PLACES | ± .005 | ± .0002 | | | | | | | | | | | | | | | | | |
| | 3 PLACES | ± .005 | ± .0002 | | | | | | | | | | | | | | | | | |
| 2 PLACES | ± .005 | ± .0002 | | | | | | | | | | | | | | | | | | |
| 1 PLACE | ± .005 | ± .0002 | | | | | | | | | | | | | | | | | | |
| DRAWN BY LINN | | DATE 2000/03/01 | | TITLE MCX JACK, R/A, SMT, PCB 50 OHMS MCX-J/RA/PCB EWR-2659 | | | | | | | | | | | | | | | | |
| CHECKED BY JOHNSON | | DATE 2000/03/01 | | MOLEX MOLEX INCORPORATED | | | | | | | | | | | | | | | | |
| APPROVED BY MISEN | | DATE 2000/03/01 | | DOCUMENT NO. SD-73415-110 | | | | | | | | | | | | | | | | |
| DRAFT WHERE APPLICABLE MUST REMAIN WITHIN DIMENSIONS | | | SIZE C | SHEET NO. 1 OF 2 | | | | | | | | | | | | | | | | |
| THIS DRAWING CONTAINS INFORMATION THAT IS PROPRIETARY TO MOLEX INCORPORATED AND SHOULD NOT BE USED WITHOUT WRITTEN PERMISSION | | | | | | | | | | | | | | | | | | | | |



SECTION Y-Y



SECTION Z-Z

| | |
|--------------------------|-----------------|
| CHG: SEE SHEET 1 | QUALITY SYMBOLS |
| EC NO: URF2012-0588 | ▽=0 |
| DRWN: JMIENER 2012/04/10 | ▽=0 |
| CHKD: SSS 2012/04/10 | |
| APPR: JMIENER 2012/04/16 | |
| REV DESCRIPTION | |
| C7 | |

| | |
|--|---------|
| GENERAL TOLERANCES (UNLESS SPECIFIED) | |
| mm | INCH |
| 4 PLACES ± .005 | ± .0005 |
| 3 PLACES ± .004 | ± .0004 |
| 2 PLACES ± .003 | ± .0003 |
| 1 PLACE ± .002 | ± .0002 |
| ANGULAR ± 2° | |
| DRAFT WHERE APPLICABLE MUST REMAIN WITHIN DIMENSIONS | |

| | |
|---|------------|
| DIMENSION STYLE | |
| MM/IN | |
| DRAWN BY | DATE |
| LINN | 2000/03/01 |
| CHECKED BY | DATE |
| JOHNSON | 2000/03/01 |
| APPROVED BY | DATE |
| MISEN | 2000/03/01 |
| MATERIAL NO. | |
| SEE SHEET 1 | |
| SIZE | |
| THIS DRAWING CONTAINS INFORMATION THAT IS PROPRIETARY TO MOLEX INCORPORATED AND SHOULD NOT BE USED WITHOUT WRITTEN PERMISSION | |

| | | |
|--------------------------|--------------|------------------------|
| SCALE | DESIGN UNITS | THIRD ANGLE PROJECTION |
| | METRIC | |
| TITLE | | |
| MCX JACK, R/A, SMT, PCB | | |
| 50 OHMS | | |
| MCX-J/RA/PCB EWR-2659 | | |
| MOLEX MOLEX INCORPORATED | | |
| DOCUMENT NO. | | SHEET NO. |
| SD-73415-110 | | 2 OF 2 |

X-ON Electronics

Largest Supplier of Electrical and Electronic Components

Click to view similar products for [molex](#) manufacturer:

Other Similar products are found below :

[1201140065](#) [90814-0008](#) [38210-0105](#) [60506-C-50](#) [69008-0971](#) [73108](#) [79516-1043](#) [72903](#) [1062837003](#) [0533241060](#) [68301-1017](#)
[03-12-1016](#) [71506-C](#) [90835-0003](#) [02-09-8104](#) [880504](#) [67490-3220](#) [387790039](#) [53254-0710](#) [85071-0017](#) [70984-4008](#) [387204903](#)
[03-12-2022](#) [783472003](#) [89674-0805](#) [514412093](#) [0026482195](#) [0191310031](#) [503308-4410](#) [02-09-6102](#) [0008650814](#) [0039000218](#) [89762-1403](#)
[89762-1542](#) [89762-1582](#) [0011404526](#) [00136](#) [0022173102](#) [0026615060](#) [CR4006A30M003](#) [0039532085](#) [58098-0628](#) [0003092041](#)
[0008520123](#) [0011030025](#) [0011184017](#) [0022162060](#) [0022552102](#) [01312](#) [M15730061](#)