

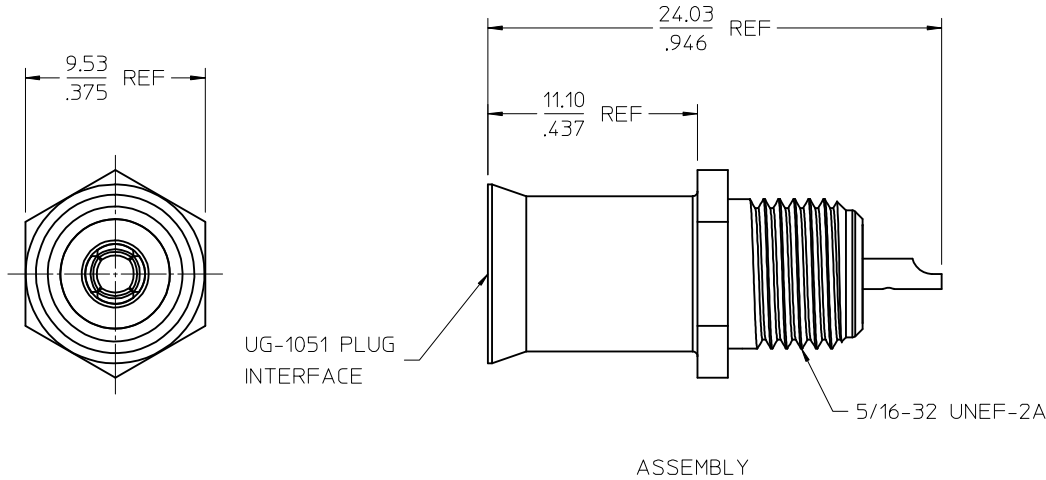
MATERIALS AND FINISHES:

BODY, JAM NUT: BRASS
PLATED SILVER

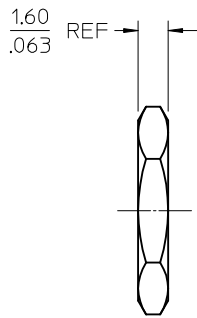
CENTER CONTACT: BERYLLIUM COPPER
PLATED SILVER

INSULATOR: PTFE

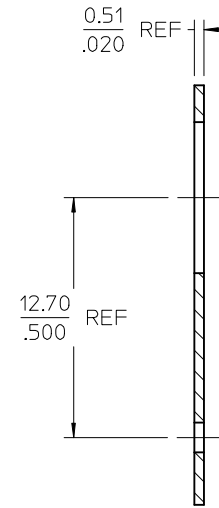
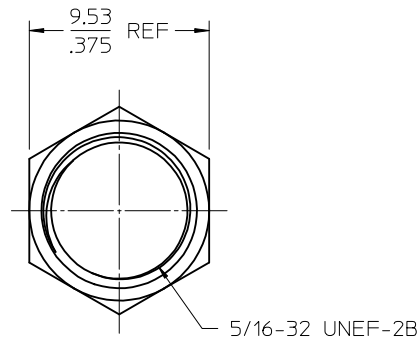
SOLDER LUG: COPPER
PLATED SILVER



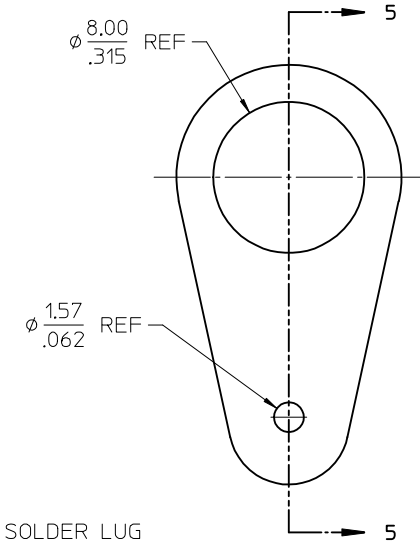
ASSEMBLY



JAM NUT



SOLDER LUG



Section 5-5

PART # 73415-1610

CHG: SOLDER LUG
DIM'S WERE:
ø.320/8.13 REF
.026/0.65 REF
ADDED SHEET 2,
NEW P/N 73415-1611
WITH 90° BENT
SOLDER LUG

EC NO: URF2015-0240
DRAWN: LMEIER 2014/11/19
CHKD: AZR 2014/11/19
APPR: AROBERTSON 2014/12/17

REV	DESCRIPTION
1	QUALITY SYMBOLS
2	QUALITY SYMBOLS
3	QUALITY SYMBOLS

GENERAL TOLERANCES (UNLESS SPECIFIED)	
	MM/IN
4 PLACES ±	--- ±
3 PLACES ±	--- ±
2 PLACES ±	--- ±
1 PLACE ±	--- ±
0 PLACE ±	--- ±
ANGULAR ± 2°	
DRAFT WHERE APPLICABLE MUST REMAIN WITHIN DIMENSIONS	

DIMENSION STYLE	
MM/IN	
DRAWN BY	DATE
LMEIER	2014/11/19
CHECKED BY	DATE
AZR	2014/11/19
APPROVED BY	DATE
AROBERTSON	2014/12/17
MATERIAL NO.	
73415-1610	

SCALE	DESIGN UNITS	THIRD ANGLE PROJECTION
	METRIC	
TITLE		
UG-1051/U PLUG SOLDER POT M-MC, EWR-5488		
DOCUMENT NO.		SHEET NO.
SD-73415-161		1 OF 2

THIS DRAWING CONTAINS INFORMATION THAT IS PROPRIETARY TO MOLEX INCORPORATED AND SHOULD NOT BE USED WITHOUT WRITTEN PERMISSION

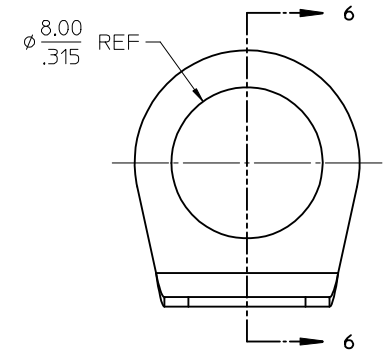
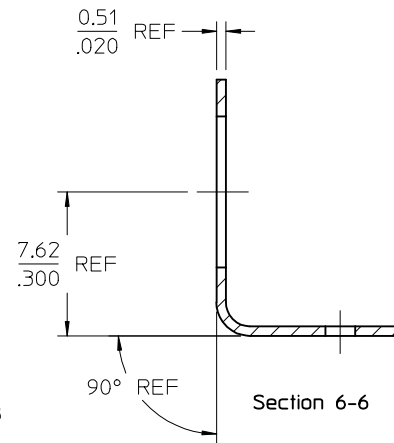
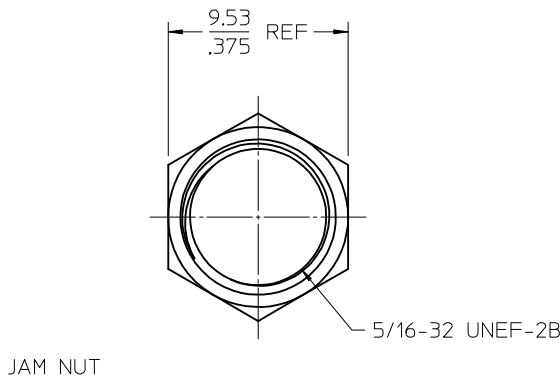
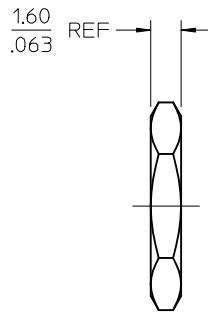
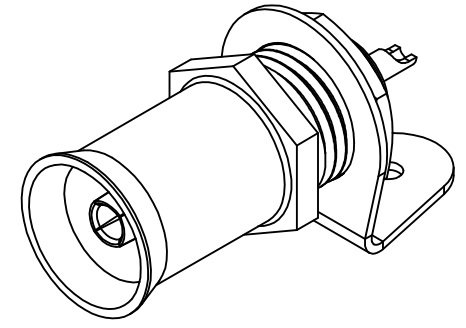
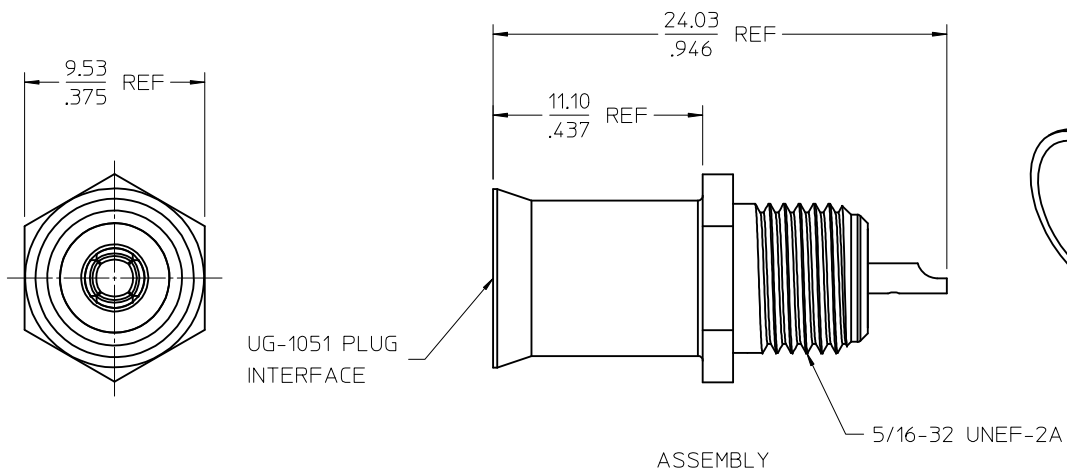
MATERIALS AND FINISHES:

BODY, JAM NUT: BRASS
PLATED SILVER

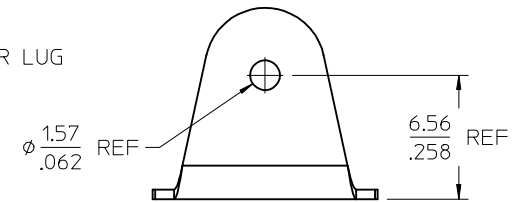
CENTER CONTACT: BERYLLIUM COPPER
PLATED SILVER

INSULATOR: PTFE

SOLDER LUG: COPPER
PLATED SILVER



SOLDER LUG



PART # 73415-1611

CHG: SEE SHEET 1	EC NO: URF2015-0240	QUALITY SYMBOLS	GENERAL TOLERANCES (UNLESS SPECIFIED)	DIMENSION STYLE	SCALE	DESIGN UNITS	THIRD ANGLE PROJECTION
	DRWN:LMEIER 2014/11/19	▽=0	mm INCH	MM/IN	METRIC	UG-1051/U PLUG	
	CHKD:AZR 2014/11/19	▽=0	4 PLACES ± --- ± ---	DRAWN BY DATE		SOLDER POT	
	APPR:AROBERTSON 2014/12/17	▽=0	3 PLACES ± --- ± ---	LMEIER 2014/11/19	TITLE	M-MC, EWR-5488	
			2 PLACES ± --- ± ---	CHECKED BY DATE			
			1 PLACE ± --- ± ---	AROBERTSON 2014/11/19			
			0 PLACE ± --- ± ---	APPROVED BY DATE			
			ANGULAR ± 2°	AROBERTSON 2014/12/17			
			DRAFT WHERE APPLICABLE MUST REMAIN WITHIN DIMENSIONS	MATERIAL NO.	DOCUMENT NO.		
				73415-1611	SD-73415-161		
				SIZE C	THIS DRAWING CONTAINS INFORMATION THAT IS PROPRIETARY TO MOLEX INCORPORATED AND SHOULD NOT BE USED WITHOUT WRITTEN PERMISSION		SHEET NO. 2 OF 2

X-ON Electronics

Largest Supplier of Electrical and Electronic Components

Click to view similar products for [RF Connectors / Coaxial Connectors](#) category:

Click to view products by [Molex](#) manufacturer:

Other Similar products are found below :

[R125315120](#) [8915-1511-000](#) [89674-0827](#) [5916-1103-603](#) [0106-001-000](#) [6-0001-3](#) [6001-7071-019](#) [6002-7051-003](#) [6002-7551-202](#) [6059674-1](#) [619550-1](#) [630059-000](#) [M39012/25-0021](#) [M39012/79-3008](#) [M39030/3-01N](#) [M39030/3-03N](#) [M3933/25-29N](#) [M3933/25-36N](#) [6500-7071-046](#) [6501-1071-002](#) [M83723/72W24576](#) [M83723/72W2457N](#) [6769](#) [CX050L2AQ](#) [7002-1541-010](#) [7003-1572-002](#) [7004-1512-000](#) [7009-1511-004](#) [7010-1511-000](#) [7029-1511-060](#) [7101-1541-010](#) [7101-1571-002](#) [7105-1521-002](#) [7145-1521-002](#) [7209-1511-011](#) [7210-1511-012](#) [7210-1511-015](#) [7210-1511-019](#) [7210-1511-040](#) [7225-1512-050](#) [7242-1511-000](#) [73137-5015](#) [73216-2241](#) [73251-0111](#) [73251-0672](#) [73276-1501](#) [73366-0013](#) [73404-2300](#) [73413-6080](#) [734151610](#)