

MATERIALS AND FINISHES

BODY: BRASS
PLATED: GOLD (8 μ-in MIN)
OVER NICKEL (80 μ-in MIN)

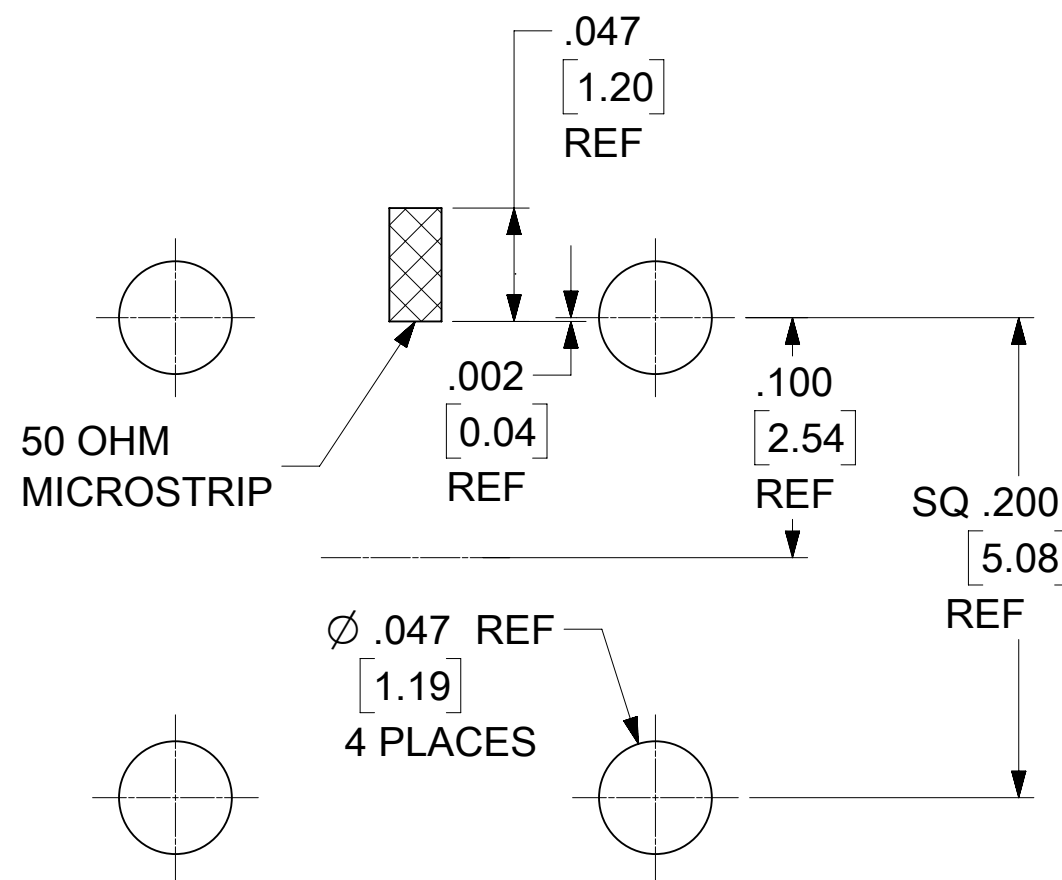
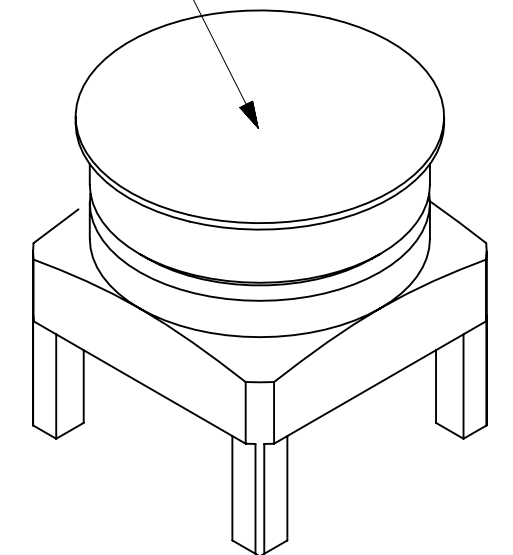
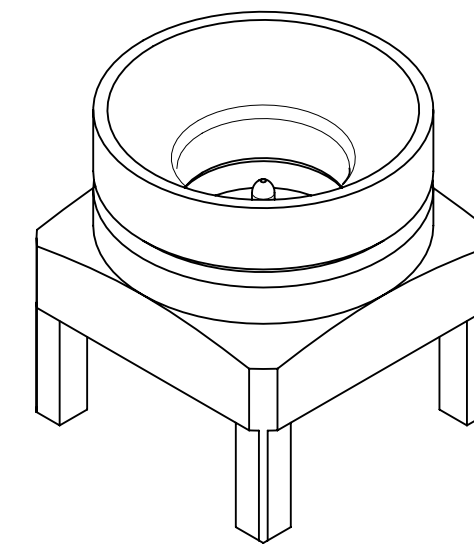
CONTACT: BRASS
PLATED: GOLD (30 μ-in MIN)
OVER NICKEL (100 μ-in MIN)

INSULATOR: PEEK OR LCP

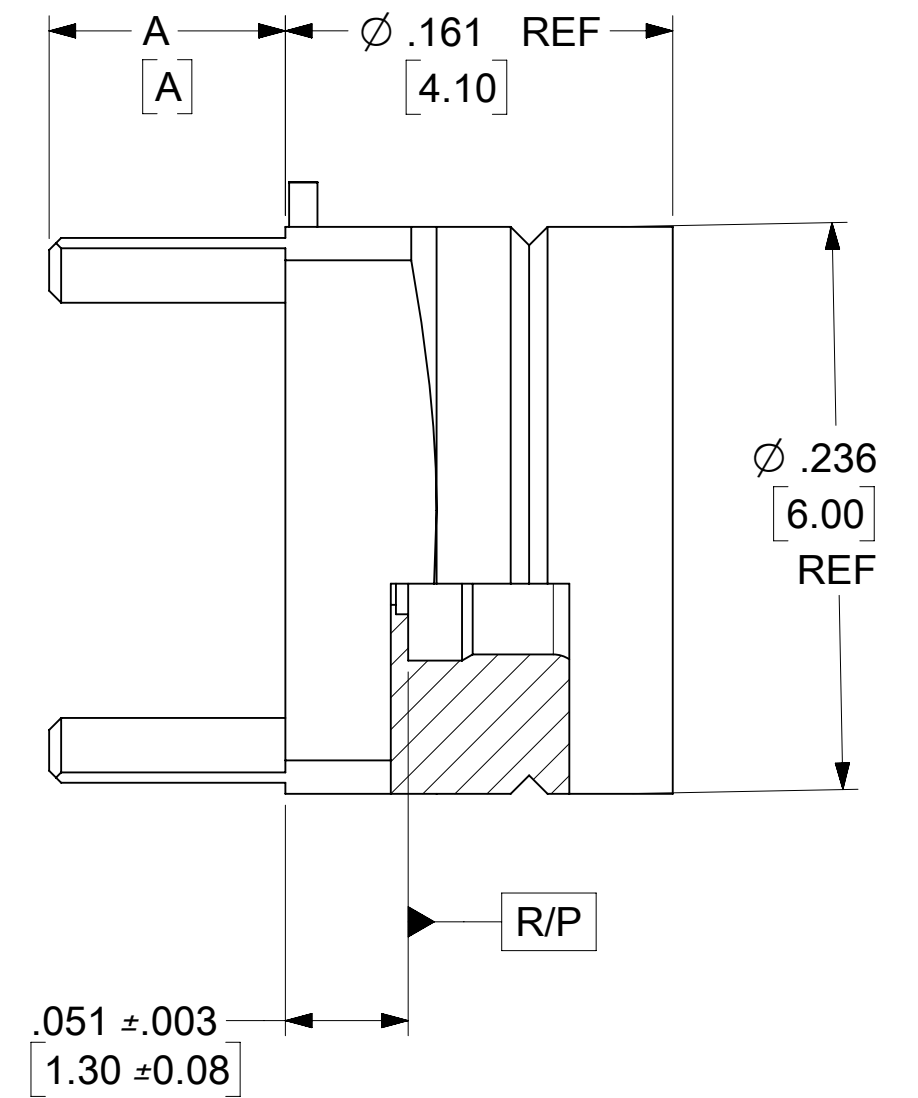
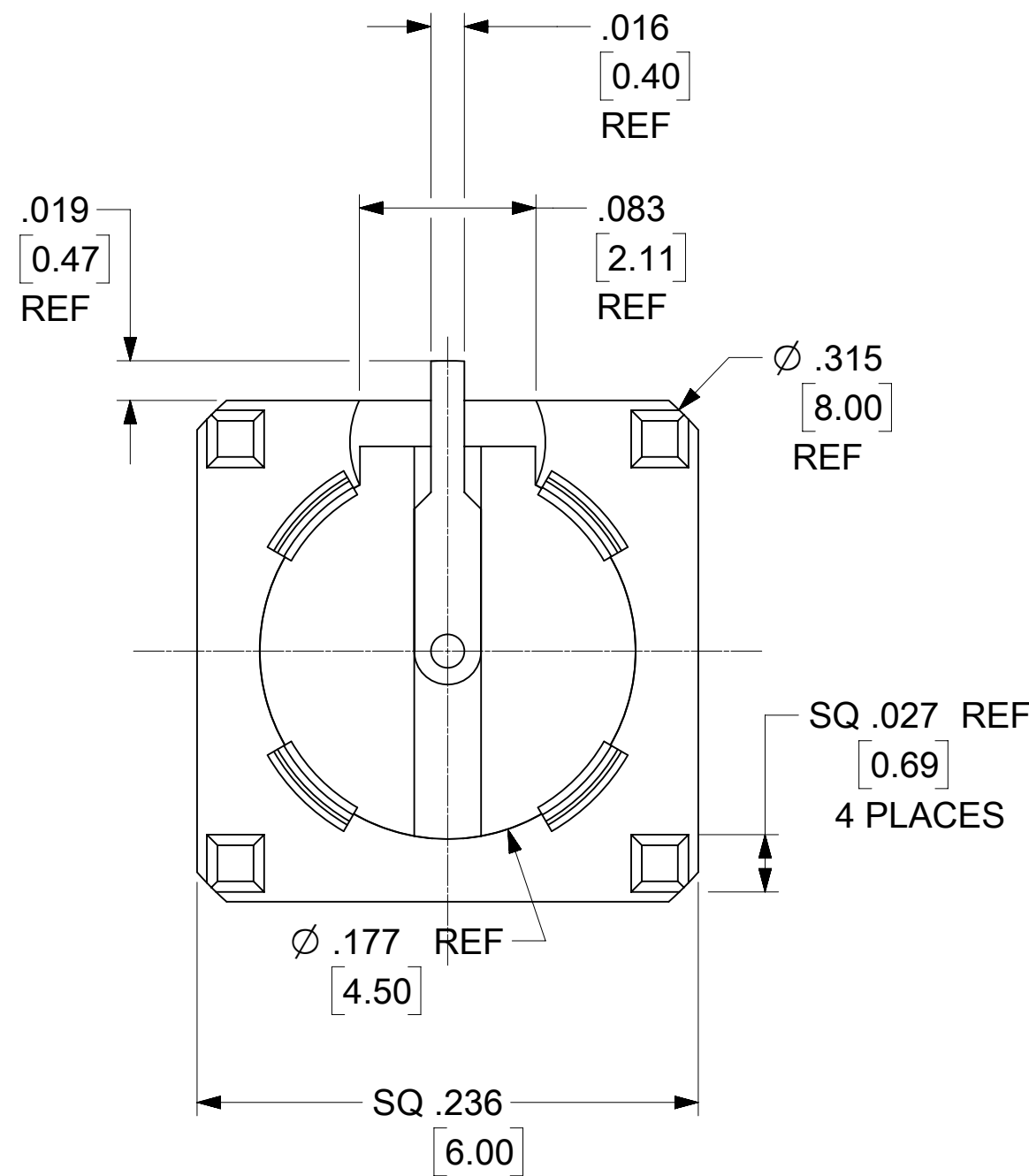
KAPTON TAPE DOT: POLYIMIDE FILM
COLOR BLACK (ON -3318 ONLY)

TAPE & REEL: SEE SHEETS 2/3

KAPTON ON
73415-3318
ONLY



RECOMMENDED PCB LAYOUT



73415-3318	2.50 / .098	73415-3310 WITH KAPTON (750 PARTS PER REEL)
73415-3317	1.70 / .067	ONE PER BAG (73415-3313)
73415-3316	2.50 / .098	ONE PER BAG (73415-3311)
73415-3315	3.43 / .135	TRAY (73415-3314)
73415-3314	3.43 / .135	TAPE & REEL (750 PARTS PER REEL)
73415-3313	1.70 / .067	TRAY (73415-3312)
73415-3312	1.70 / .067	TAPE & REEL (750 PARTS PER REEL)
73415-3311	2.50 / .098	TRAY (73415-3310)
73415-3310	2.50 / .098	TAPE & REEL (750 PARTS PER REEL)
PART NO.	DIM A (MM/IN)	DESCRIPTION

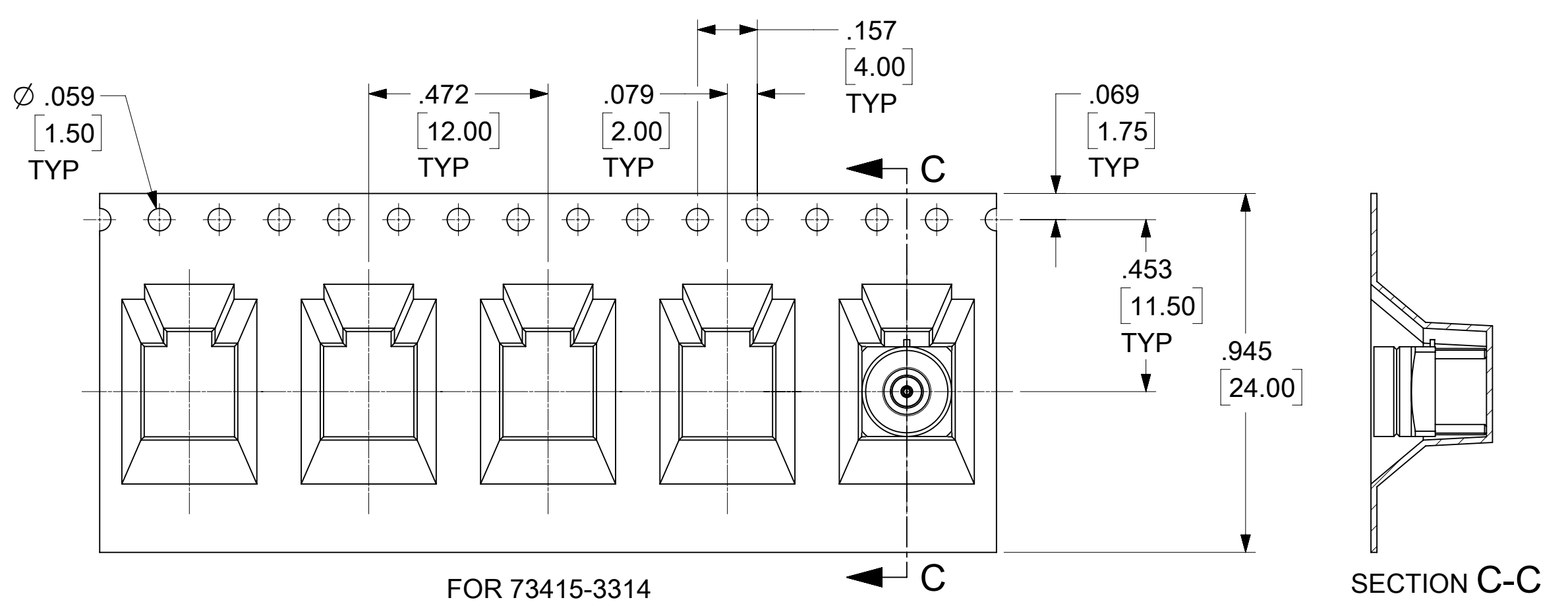
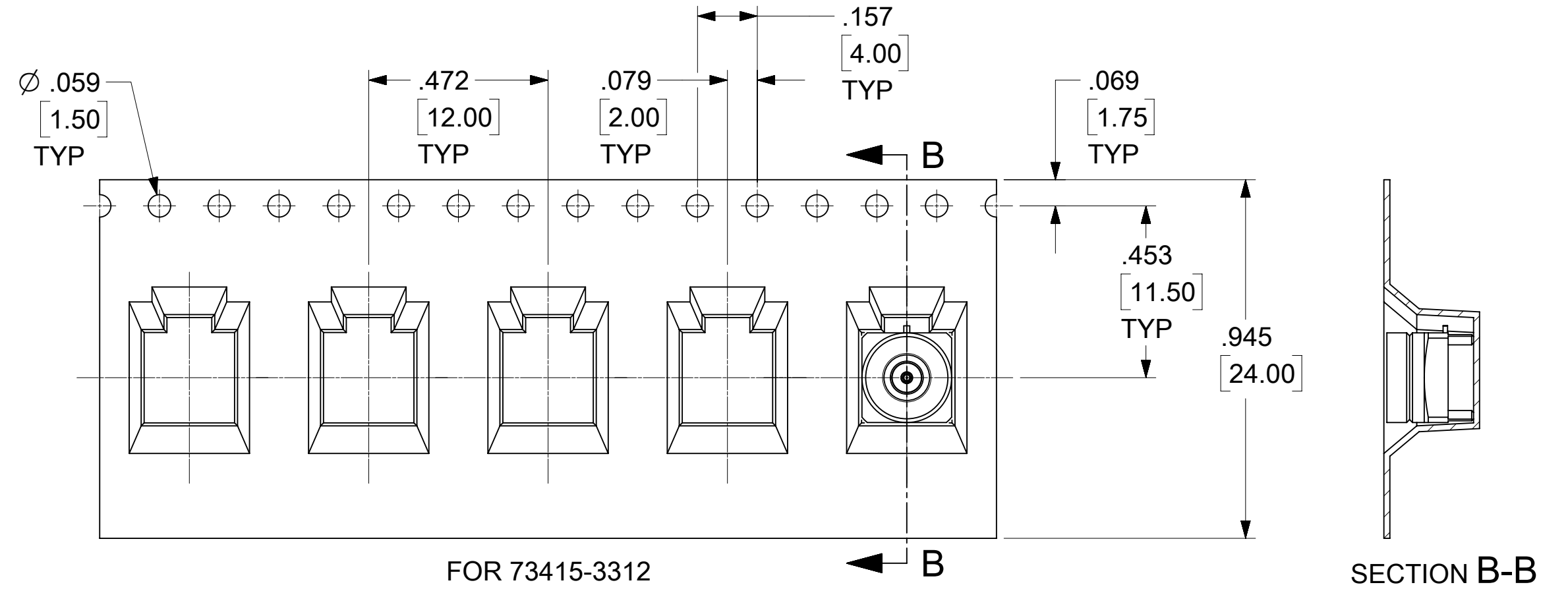
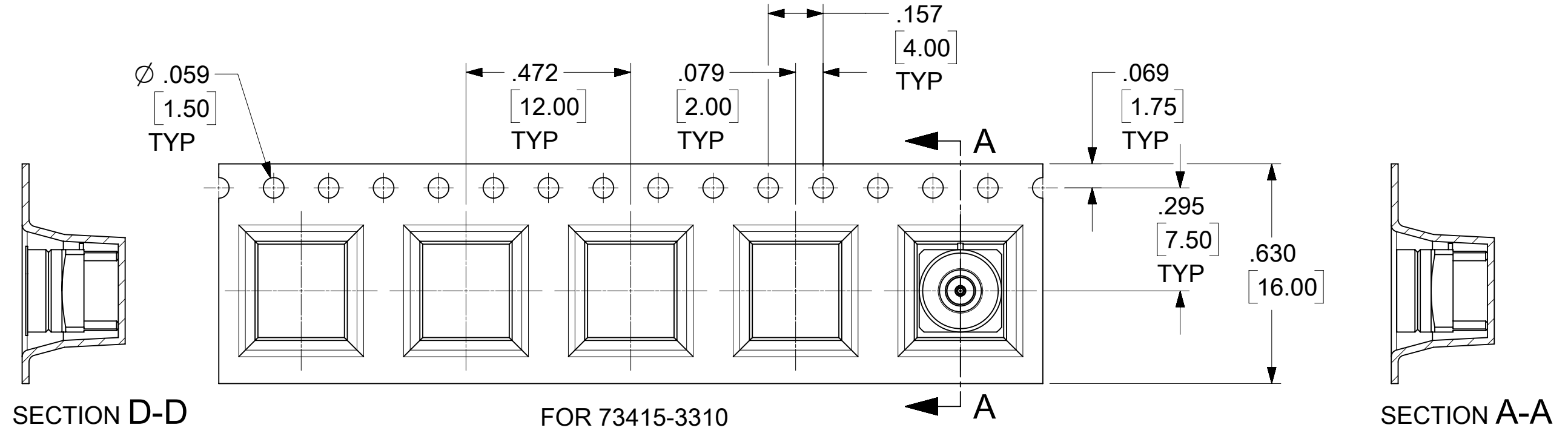
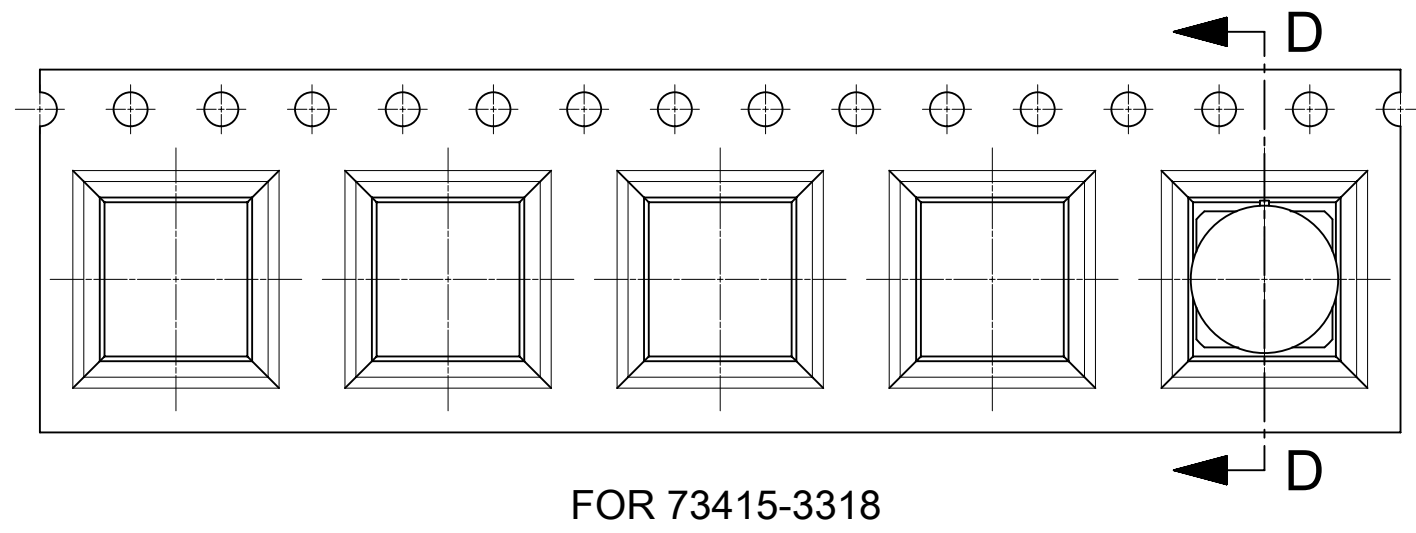
PS-89675-3320	PRODUCT SPECIFICATION
MIL-STD-348B, FIG. 326.3	INTERFACE
SPECIFICATION	DESCRIPTION

B11	2020/8/21	ADD -3318 PER EWR #13990-A
B10	2013/10/16	ADD -3317
REV	DATE	DESCRIPTION

THIS DRAWING CONTAINS INFORMATION THAT IS PROPRIETARY TO MOLEX ELECTRONIC TECHNOLOGIES, LLC AND SHOULD NOT BE USED WITHOUT WRITTEN PERMISSION

DIMENSION UNITS	SCALE	CURRENT REV DESC:	molex		
INCH/MM	NTS				
GENERAL TOLERANCES (UNLESS SPECIFIED)			SMP PLUG STRAIGHT PCB LIMITED DETENT, EWR-1359 SMP-P/PCB		
4 PLACES	±	±	EC NO: 643951	2020/01/02	PRODUCT CUSTOMER DRAWING
3 PLACES	±	± 0.01	DRWN: SSSHAH	2020/09/03	
2 PLACES	±	± 0.25	CHK'D: YCHENG	2020/09/03	DOCUMENT NUMBER
1 PLACE	±	±	APPR: YCHENG	2020/09/03	DOC TYPE
0 PLACES	±	±	INITIAL REVISION:		DOC PART
ANGULAR TOL	±	± 2.0 °	DRWN: JMASTRIANO	2005/12/09	REVISION
DRAFT WHERE APPLICABLE MUST REMAIN WITHIN DIMENSIONS			APPR: JWIENER	2005/12/09	SD-73415-331
THIRD ANGLE PROJECTION	DRAWING	SERIES	MATERIAL NUMBER	CUSTOMER	PSD 001 C10
	C-SIZE	73415	SEE TABLE		1 OF 3

NOTE
1. 10 PIECES CUMULATIVE TOLERANCE ± 0.20 [.008]



THIS DRAWING CONTAINS INFORMATION THAT IS PROPRIETARY TO MOLEX ELECTRONIC TECHNOLOGIES, LLC AND SHOULD NOT BE USED WITHOUT WRITTEN PERMISSION

DIMENSION UNITS		SCALE		CURRENT REV DESC:	
INCH/MM		NTS			
GENERAL TOLERANCES (UNLESS SPECIFIED)					
	MM	INCH			
4 PLACES	\pm	\pm			
3 PLACES	\pm	± 0.01			
2 PLACES	± 0.25	\pm			
1 PLACE	\pm	\pm			
0 PLACES	\pm	\pm			
ANGULAR TOL	$\pm 2.0^\circ$				
DRAFT WHERE APPLICABLE MUST REMAIN WITHIN DIMENSIONS			THIRD ANGLE PROJECTION		DRAWING
					C-SIZE
			SERIES		73415
			EC NO: 643951		2020/01/02
			DRWN: SSSHAH		2020/09/03
			CHK'D: YCHENG		2020/09/03
			APPR: YCHENG		2020/09/03
			INITIAL REVISION:		
			DRWN: JMASTRIANO		2005/12/09
			APPR: JWIENER		2005/12/09
DOCUMENT NUMBER		DOC TYPE		DOC PART	
SD-73415-331		PSD		001	
MATERIAL NUMBER		CUSTOMER		REVISION	
SEE TABLE				C10	
SHEET NUMBER			2 OF 3		

molex

SMP PLUG STRAIGHT PCB
LIMITED DETENT, EWR-1359 SMP-P/PCB

PRODUCT CUSTOMER DRAWING

LABEL:
 -ORDER NUMBER
 -QUANTITY
 -PART NUMBER
 -LOT NUMBER

Ø 12.993
 [330.02]

75 EMPTY UNITS
 MINIMUM

ORDER QUANTITY
 PACKED WITH 750
 PARTS

40 EMPTY UNITS
 MINIMUM

.230
 [5.84]
 MIN

HANDLING DIRECTION →

FOR 73415-3310
 73415-3312
 73415-3314
 73415-3318

DETAIL E
 SCALE 2:1

FOR 73415-3310

DETAIL F
 SCALE 2:1

FOR 73415-3312

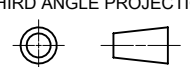
DETAIL G
 SCALE 2:1

FOR 73415-3314

DETAIL H
 SCALE 2:1

FOR 73415-3318

THIS DRAWING CONTAINS INFORMATION THAT IS PROPRIETARY TO MOLEX ELECTRONIC TECHNOLOGIES, LLC AND SHOULD NOT BE USED WITHOUT WRITTEN PERMISSION

DIMENSION UNITS		SCALE		CURRENT REV DESC:	
INCH/MM		NTS			
GENERAL TOLERANCES (UNLESS SPECIFIED)					
4 PLACES	±		±		
3 PLACES	±		±	0.01	
2 PLACES	±	0.25	±		
1 PLACE	±		±		
0 PLACES	±		±		
ANGULAR TOL	±	2.0	°		
DRAFT WHERE APPLICABLE MUST REMAIN WITHIN DIMENSIONS			THIRD ANGLE PROJECTION		DRAWING SERIES
					C-SIZE 73415
EC NO: 643951					
DRWN: SSSHAH 2020/01/02					
CHK'D: YCHENG 2020/09/03					
APPR: YCHENG 2020/09/03					
INITIAL REVISION:					
DRWN: JMASTRIANO 2005/12/09					
APPR: JWIENER 2005/12/09					
DOCUMENT NUMBER		DOC TYPE		DOC PART REVISION	
SD-73415-331		PSD		001 C10	
MATERIAL NUMBER		CUSTOMER		SHEET NUMBER	
SEE TABLE				3 OF 3	

molex

SMP PLUG STRAIGHT PCB
 LIMITED DETENT, EWR-1359 SMP-P/PCB

PRODUCT CUSTOMER DRAWING

DOCUMENT STATUS P1 RELEASE DATE 2020/09/03 11:59:48

12 11 10 9 8 7 6 5 4 3 2 1

X-ON Electronics

Largest Supplier of Electrical and Electronic Components

Click to view similar products for [RF Connectors / Coaxial Connectors](#) category:

Click to view products by [Molex](#) manufacturer:

Other Similar products are found below :

[8915-1511-000](#) [89674-0827](#) [6001-7071-019](#) [6002-7051-003](#) [6002-7551-202](#) [6059674-1](#) [619550-1](#) [630059-000](#) [M39030/3-01N](#) [6500-7071-046](#) [6769](#) [CX050L2AQ](#) [7002-1542-011](#) [7004-1512-000](#) [7009-1511-004](#) [7010-1511-000](#) [7029-1511-060](#) [7101-1541-010](#) [7101-1571-002](#) [7105-1521-002](#) [7145-1521-002](#) [7203-1571-003](#) [7209-1511-011](#) [7210-1511-015](#) [7210-1511-019](#) [73137-5015](#) [73216-2241](#) [73404-2300](#) [7405-1521-005](#) [7405-1521-802](#) [8527](#) [8547](#) [FS11V](#) [8808-1511-001](#) [9049-9513-000](#) [9074-9513-000](#) [9101-9573-002](#) [910A205F](#) [9130-9573-002](#) [PL11SC-026](#) [PL375-33](#) [PL40-5](#) [PL74C-221](#) [PL75MC-217](#) [PL803-7](#) [1200690078](#) [1-201144-1](#) [R107003010W](#) [R110A172100](#) [R112186000](#)