

MATERIALS AND FINISHES:

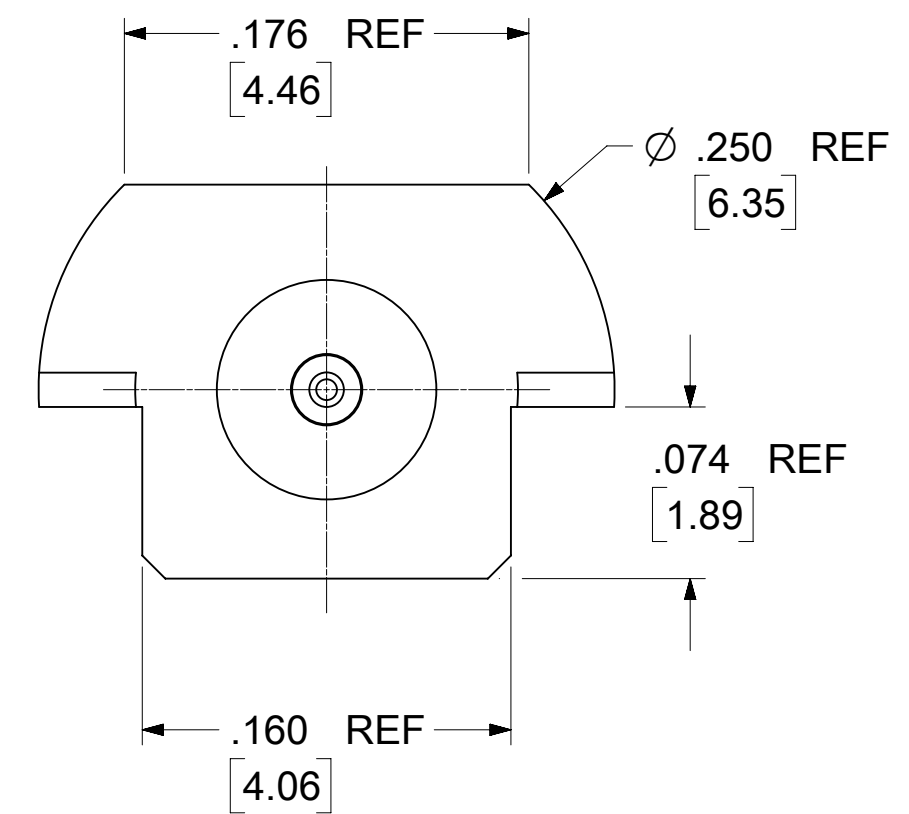
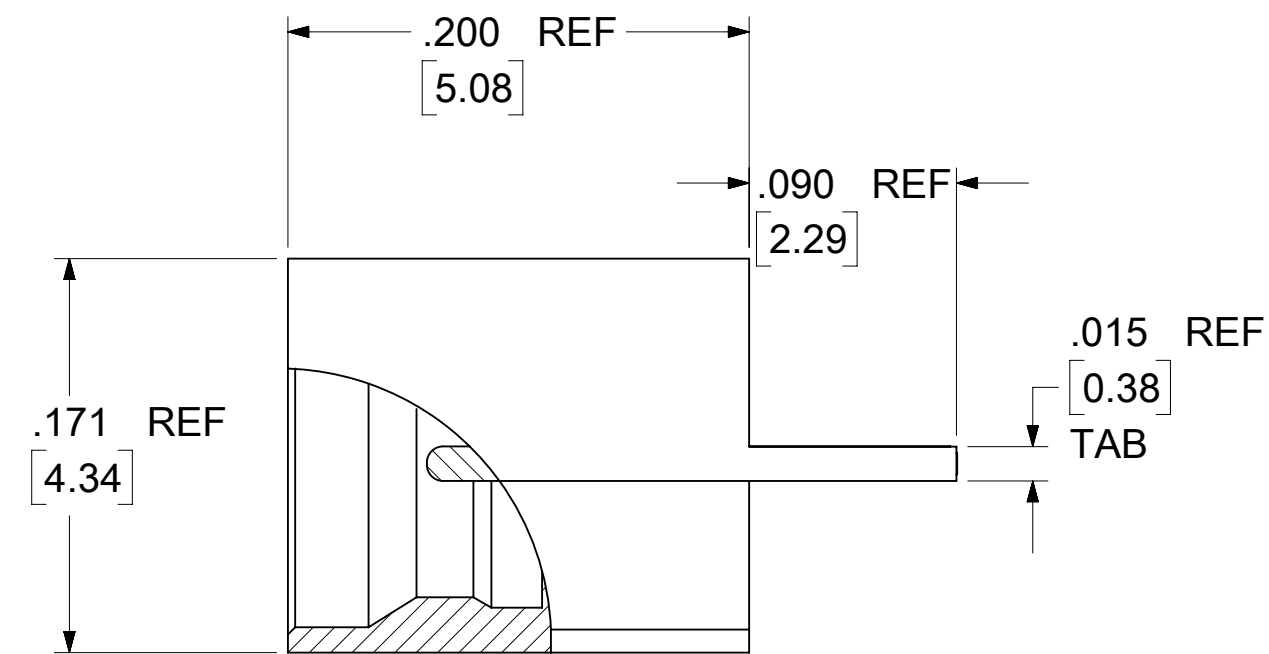
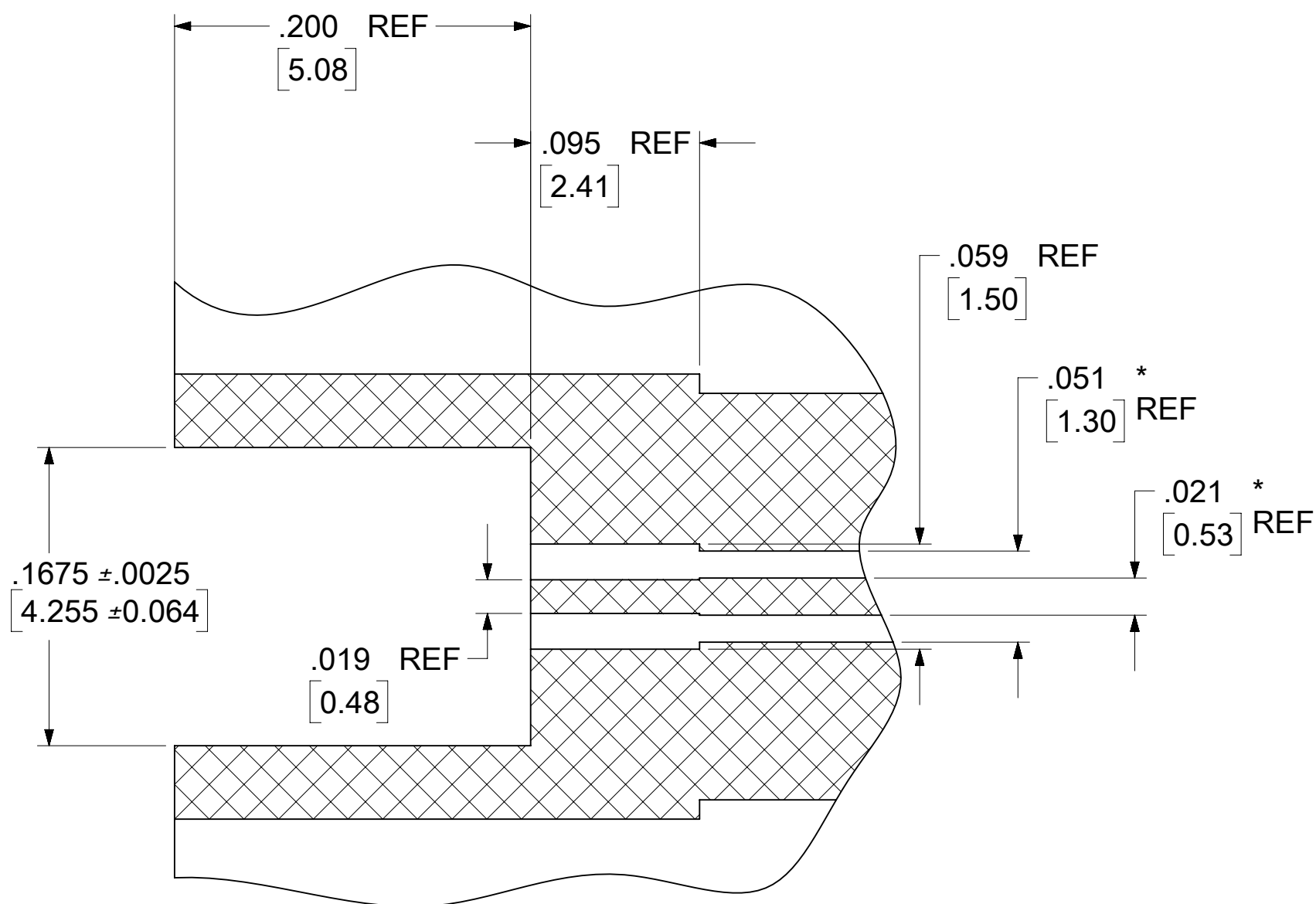
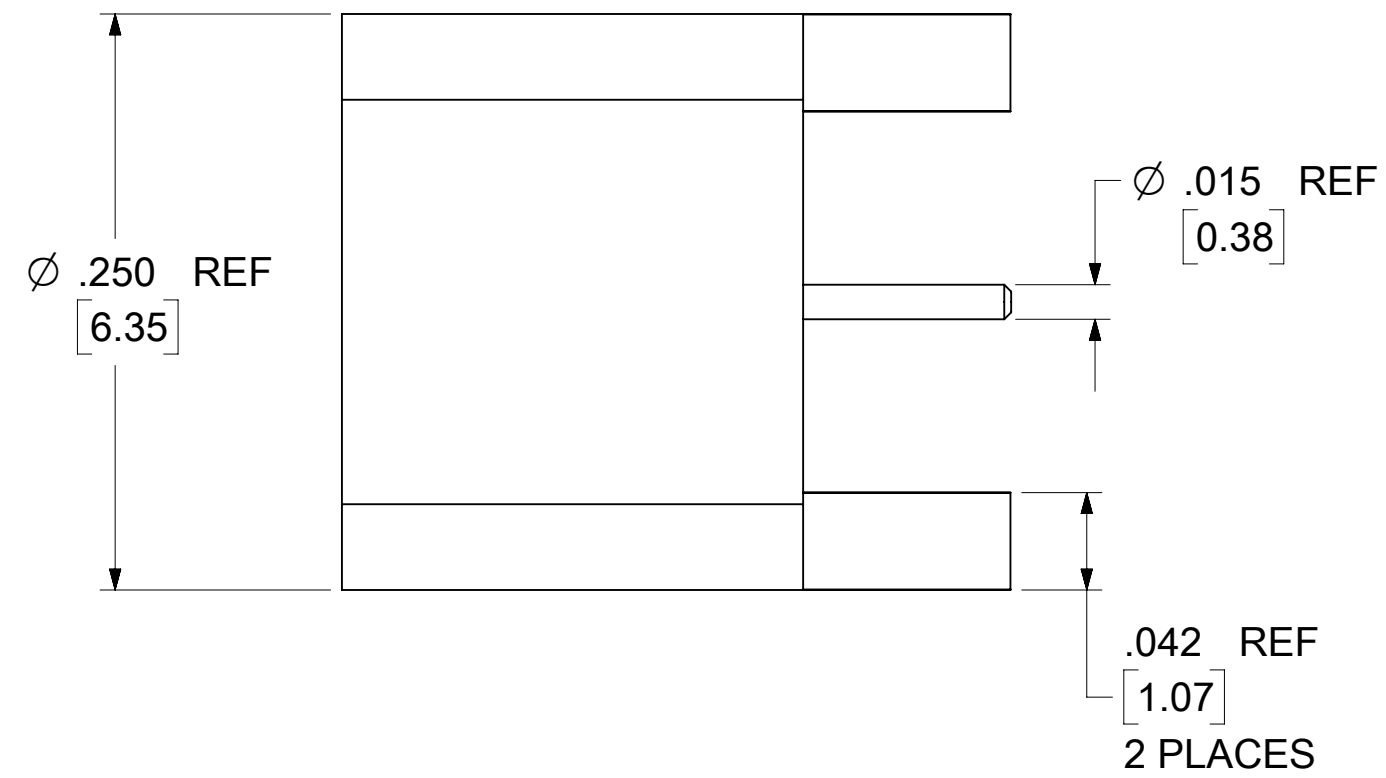
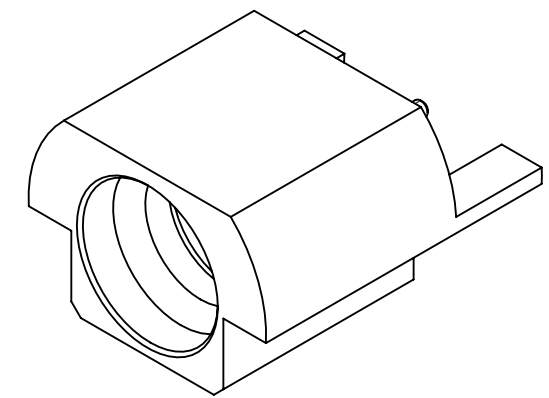
BODY: BRASS
PLATED GOLD

CENTER CONTACT: BRASS
PLATED GOLD

INSULATOR: TEFLON

ELECTRICAL CHARACTERISTICS:

FREQUENCY RATING: 0 TO 40 GHz
VSWR: 1.50 MAX
INSERTION LOSS: 0.12 √F (GHz) dB MAX



RECOMMENDED PCB LAYOUT
* DIMENSIONS APPLICABLE FOR ROGERS 4350
PCB MATERIAL ONLY

| | |
|------------|-------------|
| 73415-5721 | ONE PER BAG |
| 73415-5720 | TAPE & REEL |
| PART NO. | PACKAGING |

| | |
|--------------------------|-----------------------|
| PS-89675-3320 | PRODUCT SPECIFICATION |
| MIL-STD-348B, FIG. 326.2 | SMP FD INTERFACE |
| SPECIFICATION | DESCRIPTION |

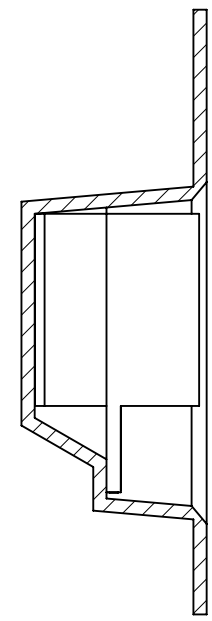
| | | |
|-----|-----------|--------------------------------|
| B2 | 2020/6/15 | ADD VSWR & IL PER EWR #13859-A |
| REV | DATE | DESCRIPTION |

| | | | | | | | | | |
|---|--|------------------------|--|--------------------------|--|--------------|--|--|--|
| THIS DRAWING CONTAINS INFORMATION THAT IS PROPRIETARY TO MOLEX ELECTRONIC TECHNOLOGIES, LLC AND SHOULD NOT BE USED WITHOUT WRITTEN PERMISSION | | | | | | | | | |
| DIMENSION UNITS | | SCALE | | CURRENT REV DESC: | | | | molex | |
| INCH/MM | | NTS | | | | | | | |
| GENERAL TOLERANCES (UNLESS SPECIFIED) | | | | EC NO: 639798 | | | | SMP PLUG, PCB EDGEMOUNT | |
| ANGULAR TOL ± 2.0° | | | | DRWN: RYEH 2020/06/11 | | | | FULL DETENT, 50 OHMS EWR-2973, SMP-P/PCB | |
| 4 PLACES ± | | | | CHK'D: YCHENG 2020/07/01 | | | | PRODUCT CUSTOMER DRAWING | |
| 3 PLACES ± | | | | APPR: YCHENG 2020/07/01 | | | | DOCUMENT NUMBER | |
| 2 PLACES ± | | | | INITIAL REVISION: | | | | DOC TYPE | |
| 1 PLACE ± | | | | DRWN: SSHAH 2006/02/10 | | | | DOC PART | |
| 0 PLACES ± | | | | APPR: JWIENER 2006/02/10 | | | | REVISION | |
| DRAFT WHERE APPLICABLE MUST REMAIN WITHIN DIMENSIONS | | THIRD ANGLE PROJECTION | | DRAWING | | SERIES | | MATERIAL NUMBER | |
| | | | | C-SIZE | | 73415 | | SEE TABLE | |
| | | | | | | CUSTOMER | | SHEET NUMBER | |
| | | | | | | HARRIS | | 1 OF 3 | |
| | | | | | | SD-73415-572 | | PSD 001 B2 | |

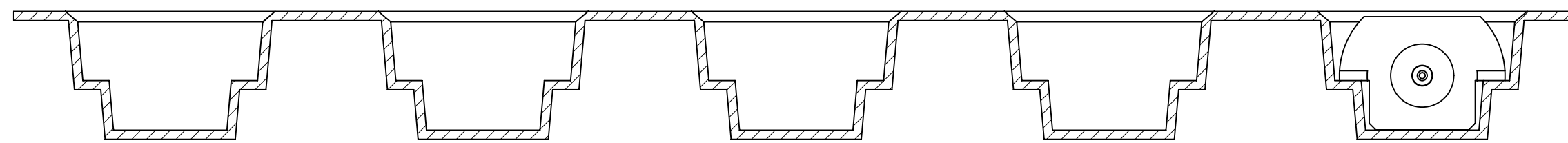
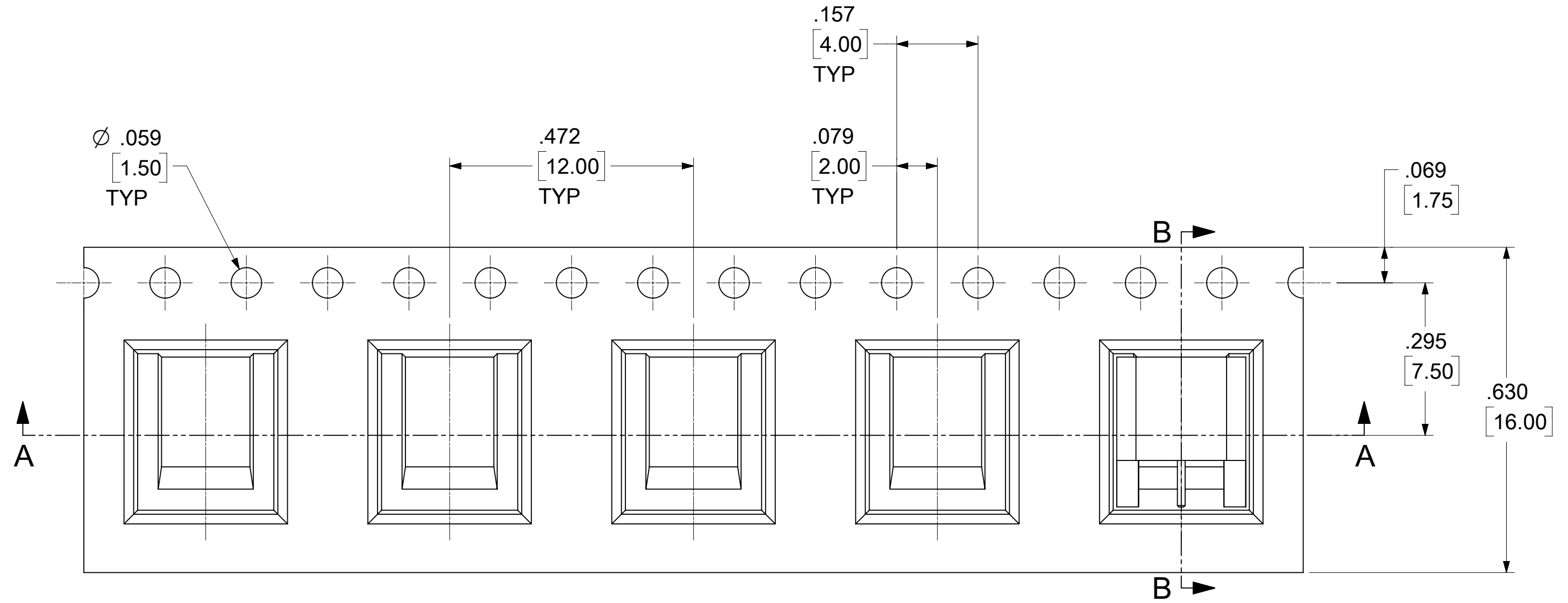
| | | | | |
|-----------------|----|--------------|------------|----------|
| DOCUMENT STATUS | P1 | RELEASE DATE | 2020/07/01 | 06:39:48 |
|-----------------|----|--------------|------------|----------|

NOTE:

10 PITCHES CUMULATIVE TOLERANCE ±.008 (0.20)



SECTION B-B



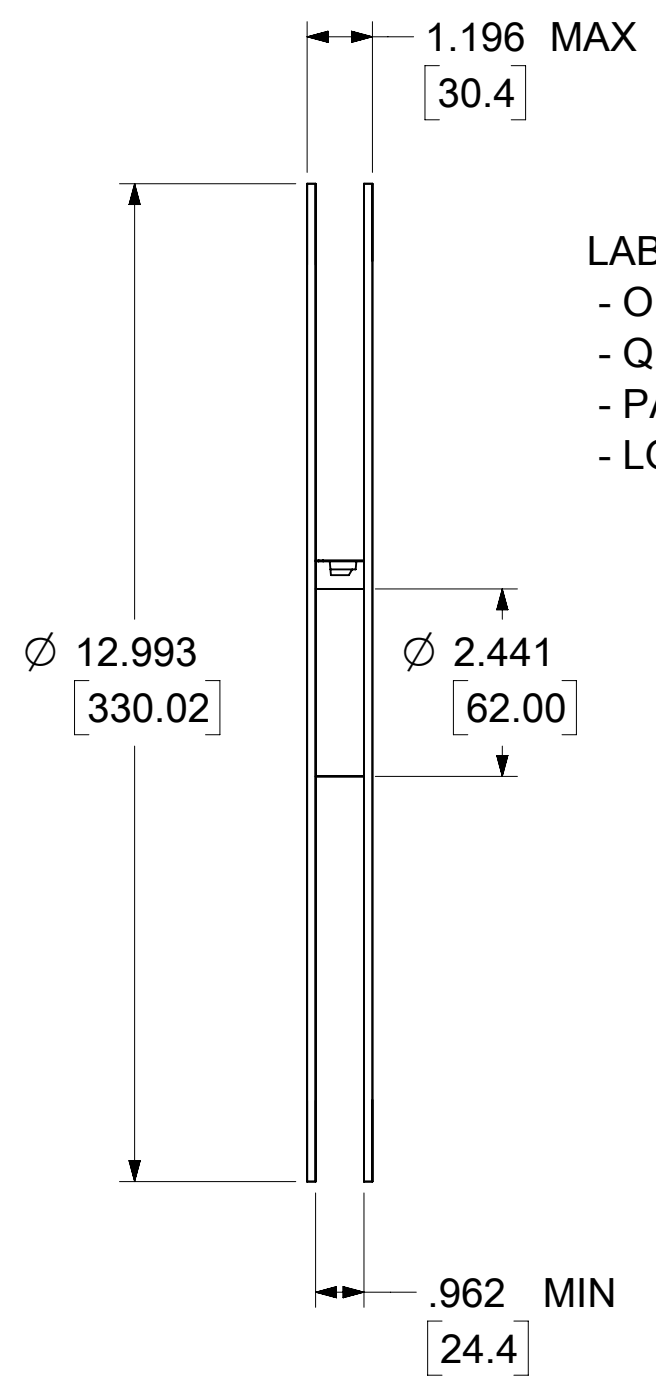
SECTION A-A

| | | | | | | | | | |
|---|--|---------------------|--|------------------------|--|-------------------|--|-----------------|--|
| THIS DRAWING CONTAINS INFORMATION THAT IS PROPRIETARY TO MOLEX ELECTRONIC TECHNOLOGIES, LLC AND SHOULD NOT BE USED WITHOUT WRITTEN PERMISSION | | | | | | | | | |
| DIMENSION UNITS INCH/MM | | SCALE NTS | | CURRENT REV DESC: | | | | molex | |
| GENERAL TOLERANCES (UNLESS SPECIFIED) | | | | EC NO: 639798 | | | | | |
| ANGULAR TOL ± 2.0° | | | | 4 PLACES ± | | DRWN: RYEH | | 2020/06/11 | |
| | | | | 3 PLACES ± | | CHK'D: YCHENG | | 2020/07/01 | |
| | | | | 2 PLACES ± | | APPR: YCHENG | | 2020/07/01 | |
| | | | | 1 PLACE ± | | INITIAL REVISION: | | DOCUMENT NUMBER | |
| | | | | 0 PLACES ± | | DRWN: SSHAH | | SD-73415-572 | |
| | | | | | | APPR: JWIENER | | DOC TYPE | |
| DRAFT WHERE APPLICABLE MUST REMAIN WITHIN DIMENSIONS | | | | THIRD ANGLE PROJECTION | | DRAWING | | SHEET NUMBER | |
| | | | | C-SIZE | | SERIES | | CUSTOMER | |
| | | | | 73415 | | HARRIS | | 1 | |
| | | | | | | | | 2 OF 3 | |

SMP PLUG, PCB EDGEMOUNT
FULL DETENT, 50 OHMS EWR-2973, SMP-P/PCB

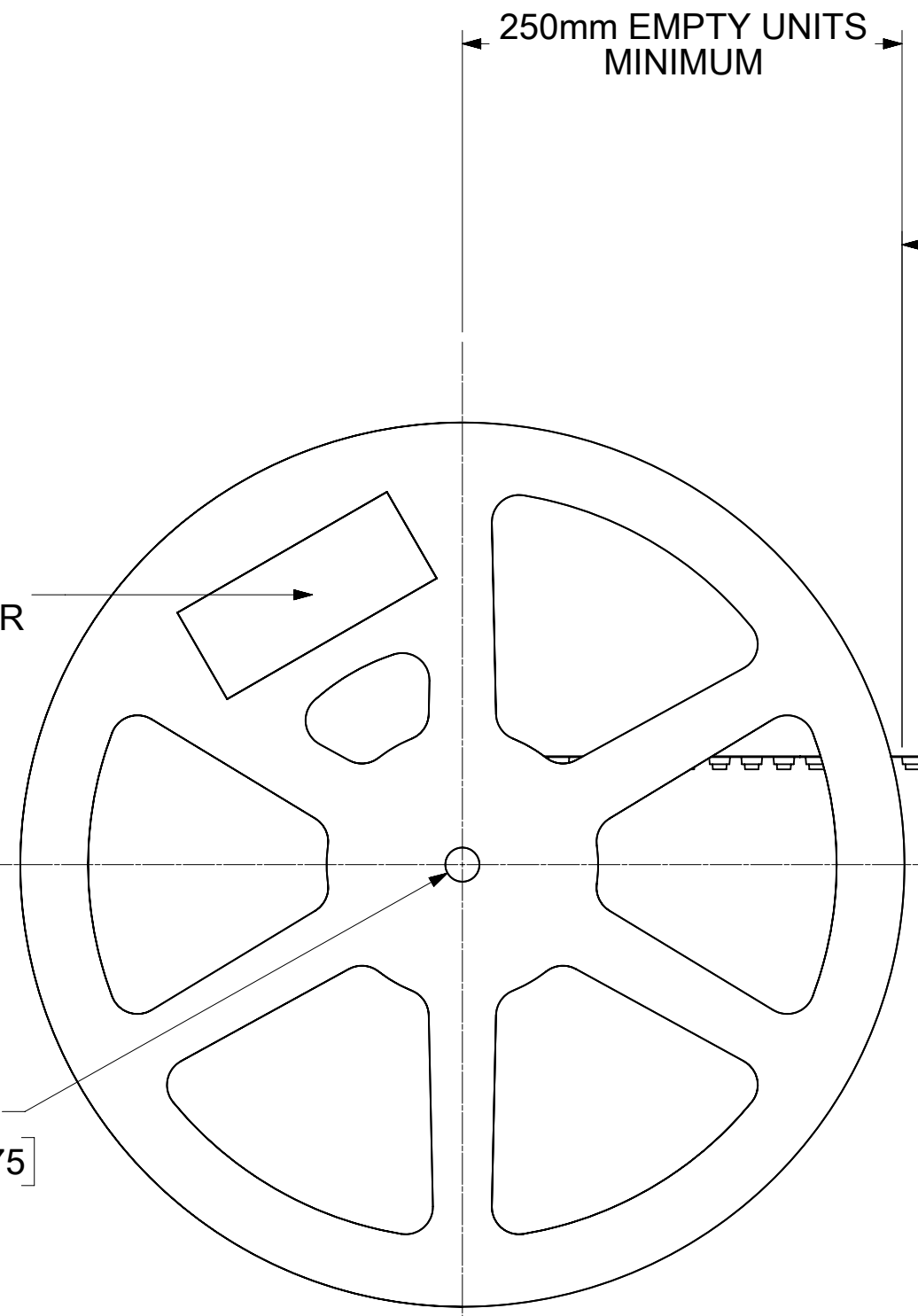
PRODUCT CUSTOMER DRAWING

| | | | | |
|-----------------|----|--------------|------------|----------|
| DOCUMENT STATUS | P1 | RELEASE DATE | 2020/07/01 | 06:39:48 |
|-----------------|----|--------------|------------|----------|



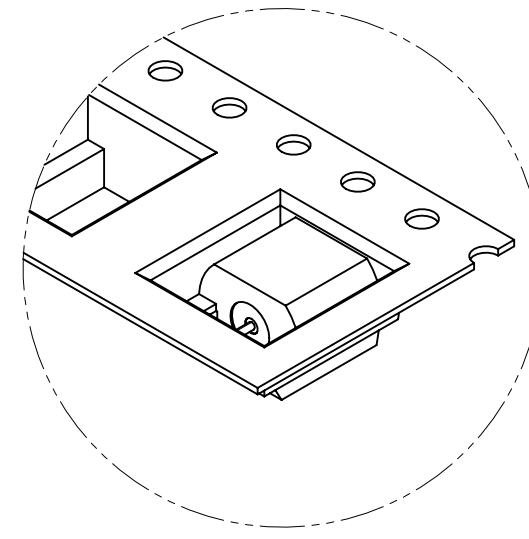
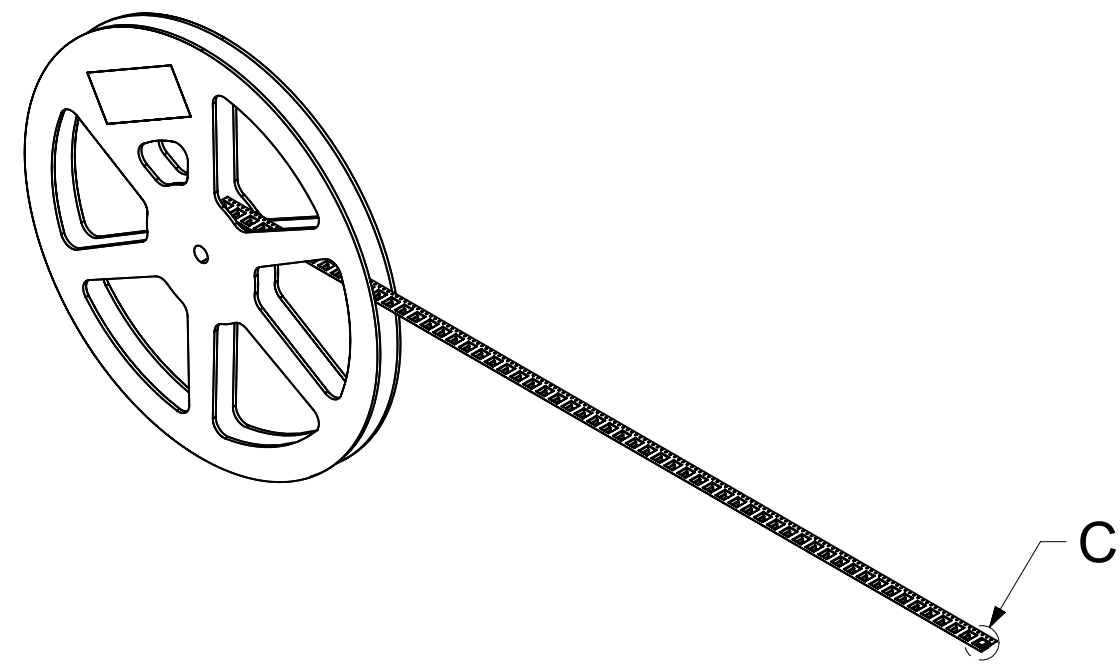
LABEL:
 - ORDER NO.
 - QUANTITY
 - PART NUMBER
 - LOT NO.

Ø .502
 [12.75]



ORDER QUANTITY
 PACKED WITH 1250
 COMPONENTS

HANDLING DIRECTION



DETAIL C
 SCALE 3:1

| | | | | | | | | | |
|---|--|------------------------|--|--------------------------|--|--------------|--|---|--|
| THIS DRAWING CONTAINS INFORMATION THAT IS PROPRIETARY TO MOLEX ELECTRONIC TECHNOLOGIES, LLC AND SHOULD NOT BE USED WITHOUT WRITTEN PERMISSION | | | | | | | | | |
| DIMENSION UNITS | | SCALE | | CURRENT REV DESC: | | | | molex | |
| INCH/MM | | NTS | | | | | | | |
| GENERAL TOLERANCES (UNLESS SPECIFIED) | | | | EC NO: 639798 | | | | SMP PLUG, PCB EDGEMOUNT FULL DETENT, 50 OHMS EWR-2973, SMP-P/PCB | |
| ANGULAR TOL ± 2.0° | | | | DRWN: RYEH 2020/06/11 | | | | | |
| 4 PLACES ± | | | | CHK'D: YCHENG 2020/07/01 | | | | PRODUCT CUSTOMER DRAWING | |
| 3 PLACES ± | | | | APPR: YCHENG 2020/07/01 | | | | | |
| 2 PLACES ± | | | | INITIAL REVISION: | | | | DOCUMENT NUMBER | |
| 1 PLACE ± | | | | DRWN: SSHAH 2006/02/10 | | | | | |
| 0 PLACES ± | | | | APPR: JWIENER 2006/02/10 | | | | SD-73415-572 | |
| DRAFT WHERE APPLICABLE MUST REMAIN WITHIN DIMENSIONS | | THIRD ANGLE PROJECTION | | DRAWING | | SERIES | | MATERIAL NUMBER | |
| | | | | C-SIZE | | 73415 | | SEE TABLE | |
| DOCUMENT STATUS | | RELEASE DATE | | CUSTOMER | | SHEET NUMBER | | REVISION | |
| P1 | | 2020/07/01 06:39:48 | | HARRIS | | 3 OF 3 | | 001 B2 | |

X-ON Electronics

Largest Supplier of Electrical and Electronic Components

Click to view similar products for [RF Connectors / Coaxial Connectors](#) category:

Click to view products by [Molex](#) manufacturer:

Other Similar products are found below :

[8915-1511-000](#) [89674-0827](#) [6001-7071-019](#) [6002-7051-003](#) [6002-7551-202](#) [6059674-1](#) [619550-1](#) [630059-000](#) [M39030/3-01N](#) [6500-7071-046](#) [6769](#) [CX050L2AQ](#) [7002-1542-011](#) [7004-1512-000](#) [7009-1511-004](#) [7010-1511-000](#) [7029-1511-060](#) [7101-1541-010](#) [7101-1571-002](#) [7105-1521-002](#) [7145-1521-002](#) [7203-1571-003](#) [7209-1511-011](#) [7210-1511-015](#) [7210-1511-019](#) [73137-5015](#) [73216-2241](#) [73404-2300](#) [7405-1521-005](#) [7405-1521-802](#) [8527](#) [8547](#) [FS11V](#) [877931](#) [8808-1511-001](#) [9049-9513-000](#) [9074-9513-000](#) [9101-9573-002](#) [910A205F](#) [9130-9573-002](#) [PL11SC-026](#) [PL375-33](#) [PL40-5](#) [PL74C-221](#) [PL75MC-217](#) [PL803-7](#) [1200690078](#) [1-201144-1](#) [R107003010W](#) [R110A172100](#)