

NOTES:

1. MATERIALS: HOUSING - LIQUID CRYSTAL POLYMER (LCP), GLASS-FILLED, UL94V-0, COLOR: BLACK
TERMINAL - COPPER ALLOY
2. FINISH: SELECTIVE GOLD (Au) IN CONTACT AREA, 0.00076mm MINIMUM THICKNESS; SELECTIVE TIN/LEAD (Sn/Pb) ON PCB TAILS, 0.00254 MINIMUM THICKNESS; NICKEL (Ni) OVERALL
3. THIS PART CONFORMS TO MOLEX PRODUCT SPECIFICATION PS-73670-9999.
4. DIMENSIONS ARE IN MILLIMETERS.

2	BI
1	BI
MFG.	SH. REV.

		B1	ADDED -0005, -1005 ECR # UDT2002-1090		
		B	REED 02/03/07 REVISD ECN # UDT1998-0115 REED 98/04/06		
		A	RELEASED FOR PROD. PER ECN # U70526 REED 97/01/08		
LTR.	REVISIONS	LTR.	REVISIONS		

DIMENSIONS SHOWN (METRIC) INCH	
UNLESS OTHERWISE SPECIFIED TOLERANCES: ANGULAR ± 1/2°	
3 PLACE ± N/A ---	INCH METRIC
2 PLACE ± N/A ± 0.05	
1 PLACE --- ± 0.10	
DRAFT WHERE APPLICABLE MUST REMAIN WITHIN DIMENSIONS	
DRWG. BY: JRR	CHK'D. BY: SMR
APP'D. BY: CAB	SCALE: 2 : 1

▽ = 0 ▼ = 0 REVISE ONLY ON CAD SYSTEM

TITLE: SALES ASSY, HDM PLUS SHIELDED DAUGHTERCARD MODULE, SOLDER TAIL

MOLEX INCORPORATED U.S.A. 60532

SHEET NO. 1 OF 2 DATE 96/07/22

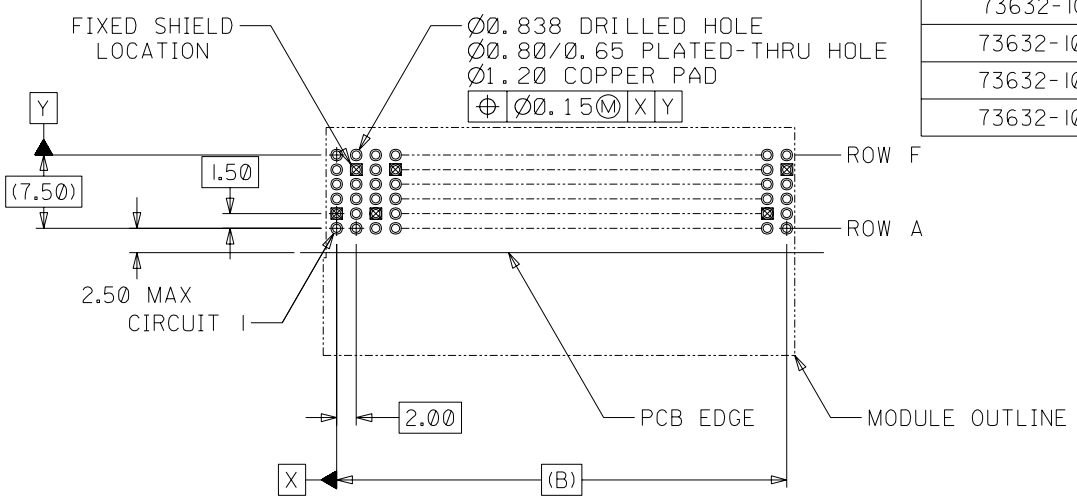
PART NO. SEE SHEET 2 DRWG. NO. SDA-73632-*0**

FILE NAME: S73632SI DGN

THIS DRAWING CONTAINS INFORMATION THAT IS PROPRIETARY TO MOLEX INC. AND SHOULD NOT BE USED WITHOUT WRITTEN PERMISSION.

DIV. DA SIZE B

MATERIAL NUMBER	DIM "A"	DIM "B"	DIM "P"	NUMBER OF SIGNAL CONTACTS	NUMBER OF SHIELDED CONTACTS
73632-0000	24.18	22.00	2.00	60	12
73632-0005			2.22		
73632-0010			2.50		
73632-0015			2.75		
73632-0020			3.00		
73632-0030			3.50		
73632-0040			4.00		
73632-1000	48.18	46.00	2.00	120	24
73632-1005			2.22		
73632-1010			2.50		
73632-1015			2.75		
73632-1020			3.00		
73632-1030			3.50		
73632-1040			4.00		



PCB LAYOUT: COMPONENT SIDE
RECOMMENDED PCB THICKNESS: 1.60 MIN.

DIMENSIONS SHOWN (METRIC) INCH		UNLESS OTHERWISE SPECIFIED TOLERANCES: ANGULAR ± 1/2°		REVISIONS		TITLE	
3 PLACE	± N/A	---		B1	SEE SHEET 1	SALES ASSY. HDM PLUS SHIELDED DAUGHTERCARD MODULE, SOLDER TAIL	
2 PLACE	± N/A	± N/A		B	SEE SHEET 1	MOLEX INCORPORATED	
1 PLACE	---	± N/A		A	SEE SHEET 1	LISLE, ILL. 60532 U.S.A.	
DRAFT WHERE APPLICABLE MUST REMAIN WITHIN DIMENSIONS				LTR.	REVISIONS	LTR.	REVISIONS
DRWG. BY	JRR	CHK'D. BY	SMR	PART NO. SDA-73632-0**			
APP'D. BY	CAB	SCALE	2 : 1	FILE NAME S73632S2 DGN			
				THIS DRAWING CONTAINS INFORMATION THAT IS PROPRIETARY TO MOLEX INC. AND SHOULD NOT BE USED WITHOUT WRITTEN PERMISSION.			
				DIV. DA		SIZE B	

DIMENSIONS SHOWN (METRIC) INCH
 UNLESS OTHERWISE SPECIFIED TOLERANCES: ANGULAR ± 1/2°
 INCH METRIC
 3 PLACE ± N/A ---
 2 PLACE ± N/A ± N/A
 1 PLACE --- ± N/A
 DRAFT WHERE APPLICABLE MUST REMAIN WITHIN DIMENSIONS
 DRWG. BY: JRR CHK'D. BY: SMR
 APP'D. BY: CAB SCALE: 2 : 1
 REVISIONS: B1 SEE SHEET 1, B SEE SHEET 1, A SEE SHEET 1
 TITLE: SALES ASSY. HDM PLUS SHIELDED DAUGHTERCARD MODULE, SOLDER TAIL
 PART NO.: SDA-73632-0**
 FILE NAME: S73632S2 DGN
 THIS DRAWING CONTAINS INFORMATION THAT IS PROPRIETARY TO MOLEX INC. AND SHOULD NOT BE USED WITHOUT WRITTEN PERMISSION.
 DIV. DA SIZE B

X-ON Electronics

Largest Supplier of Electrical and Electronic Components

Click to view similar products for [High Speed/Modular Connectors](#) category:

Click to view products by [Molex](#) manufacturer:

Other Similar products are found below :

[650827-1](#) [74040-1346](#) [1410191-1](#) [1410337-1](#) [1410368-3](#) [1410964-2](#) [1410326-3](#) [1410367-3](#) [1410971-4](#) [1467833-1](#) [2000877-1](#) [2000878-1](#)
[2041314-1](#) [2065387-1](#) [2187307-1](#) [163P](#) [1934290-1](#) [2000875-1](#) [2065917-1](#) [2102736-2](#) [FSR-40](#) [2169868-2](#) [22354-8](#) [437-5040-000](#) [5-](#)
[1393565-0](#) [039-0246-000](#) [0740618502](#) [0761601016](#) [0784461022](#) [10123159-12ELF](#) [030-2415-003/100 PK](#) [030-7380-004](#) [030-2494-001](#)
[532939-1](#) [5532901-3](#) [3-1469268-7](#) [74748-102LF](#) [73670-0247](#) [10041743-101LF](#) [10066670-100002LF](#) [1-533915-1](#) [249-4515-000](#) [7-1469373-](#)
[3](#) [DL2-2J/S](#) [2000713-8](#) [2000713-7](#) [10124313-101LF](#) [3011-21](#) [757105208](#) [EBTF-4-10-2.0-S-RA-1](#)