

NOTES:

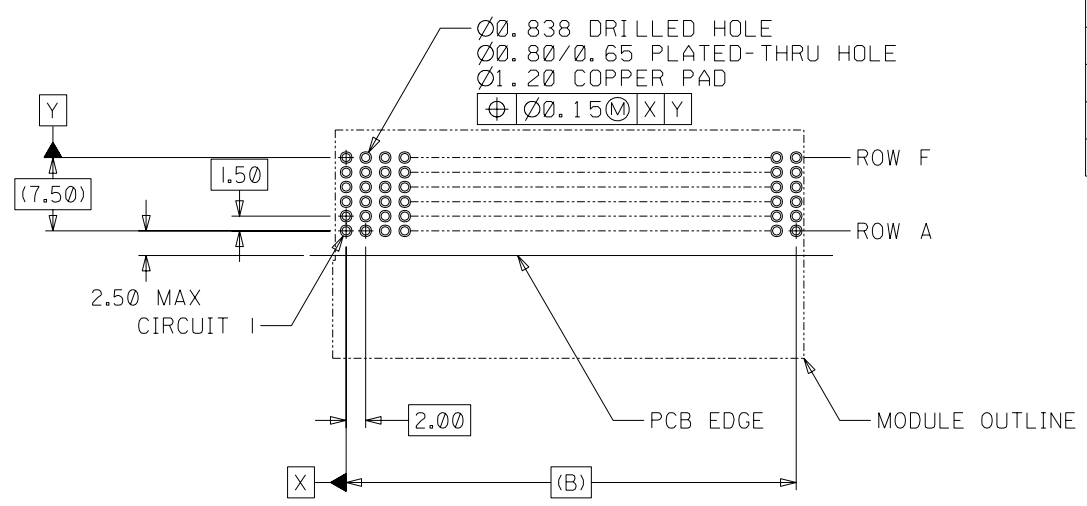
1. MATERIALS: HOUSING - LIQUID CRYSTAL POLYMER (LCP), GLASS-FILLED, UL94V-0, COLOR: BLACK
TERMINAL - COPPER ALLOY
2. FINISH: SELECTIVE GOLD (Au) IN CONTACT AREA, 0.00076mm MINIMUM THICKNESS; SELECTIVE TIN/LEAD (Sn/Pb) ON PCB TAILS, 0.00254 MINIMUM THICKNESS; NICKEL (Ni) OVERALL
3. THIS PART CONFORMS TO MOLEX PRODUCT SPECIFICATION PS-73670-9999.
4. DIMENSIONS ARE IN MILLIMETERS.

2	BI
1	C
MFG.	SH. REV.

		BI	ADDED -0105, -1105, -2105 & -3105 ECR # UDT2002-1090 REED 02/03/07	DIMENSIONS SHOWN (METRIC) INCH UNLESS OTHERWISE SPECIFIED TOLERANCES: ANGULAR ± 1/2°
		B	REVISED ECN # UDT1998-0115 REED 97/04/14	INCH METRIC 3 PLACE ± N/A --- 2 PLACE ± N/A ± 0.05 1 PLACE --- ± 0.10
C	VOIDED SHTS. 3 & 4 ECR # UDT2002-1431 REED 02/06/18	A	RELEASED FOR PROD. PER ECN # U70526 REED 97/01/08	DRAFT WHERE APPLICABLE MUST REMAIN WITHIN DIMENSIONS
LTR.	REVISIONS	LTR.	REVISIONS	DRWG. BY: JRR CHK'D. BY: SMR APP'D. BY: CAB SCALE: 2 : 1

▽ = 0	▼ = 0	REVISE ONLY ON CAD SYSTEM	
TITLE SALES ASSY, HDM UNSHIELDED DAUGHTERCARD MODULE, SOLDER TAIL			
MOLEX MOLEX INCORPORATED LISLE, ILL. 60532 U.S.A.		SHEET NO. 1 OF 2	DATE 96/07/22
PART NO. SEE SHEET 2		DRWG. NO. SDA-73632-*1**	
THIS DRAWING CONTAINS INFORMATION THAT IS PROPRIETARY TO MOLEX INC. AND SHOULD NOT BE USED WITHOUT WRITTEN PERMISSION.			
FILE NAME S73632U1 DGN	DIV. DA	SIZE B	

MATERIAL NUMBER	DIM "A"	DIM "B"	DIM "P"	NUMBER OF SIGNAL CONTACTS
73632-0100	24.18	22.00	2.00	72
73632-0105			2.22	
73632-0110			2.50	
73632-0115			2.75	
73632-0120			3.00	
73632-0130			3.50	
73632-0140			4.00	
73632-1100	48.18	46.00	2.00	144
73632-1105			2.22	
73632-1110			2.50	
73632-1115			2.75	
73632-1120			3.00	
73632-1130			3.50	
73632-1140			4.00	



PCB LAYOUT: COMPONENT SIDE
 RECOMMENDED PCB THICKNESS: 1.60 MIN.

DIMENSIONS SHOWN (METRIC) INCH		$\nabla = 0$ $\blacktriangledown = 0$ REVISE ONLY ON CAD SYSTEM													
UNLESS OTHERWISE SPECIFIED TOLERANCES: ANGULAR $\pm 1/2^\circ$															
		<table border="1"> <thead> <tr> <th></th> <th>INCH</th> <th>METRIC</th> </tr> </thead> <tbody> <tr> <td>3 PLACE</td> <td>\pm N/A</td> <td>---</td> </tr> <tr> <td>2 PLACE</td> <td>\pm N/A</td> <td>\pm N/A</td> </tr> <tr> <td>1 PLACE</td> <td>---</td> <td>\pm N/A</td> </tr> </tbody> </table>			INCH	METRIC	3 PLACE	\pm N/A	---	2 PLACE	\pm N/A	\pm N/A	1 PLACE	---	\pm N/A
	INCH	METRIC													
3 PLACE	\pm N/A	---													
2 PLACE	\pm N/A	\pm N/A													
1 PLACE	---	\pm N/A													
DRAFT WHERE APPLICABLE MUST REMAIN WITHIN DIMENSIONS															
DRWG. BY: JRR	CHK'D. BY: SMR	TITLE: SALES ASSY, HDM UNSHIELDED DAUGHTERCARD MODULE, SOLDER TAIL													
APP'D. BY: CAB	SCALE: 2 : 1	MOLEX INCORPORATED LISLE, ILL. 60532 U.S.A.	SHEET NO. 2 DATE 96/07/22												
LTR. REVISIONS		PART NO. SEE CHART DRWG. NO. SDA-73632-*1**													
LTR. REVISIONS		FILE NAME: S73632U2 DGN THIS DRAWING CONTAINS INFORMATION THAT IS PROPRIETARY TO MOLEX INC. AND SHOULD NOT BE USED WITHOUT WRITTEN PERMISSION.													
		DA	B												

X-ON Electronics

Largest Supplier of Electrical and Electronic Components

Click to view similar products for [High Speed/Modular Connectors](#) category:

Click to view products by [Molex](#) manufacturer:

Other Similar products are found below :

[650827-1](#) [74040-1346](#) [1410191-1](#) [1410337-1](#) [1410368-3](#) [1410964-2](#) [1410326-3](#) [1410367-3](#) [1410971-4](#) [1467833-1](#) [2000877-1](#) [2000878-1](#)
[2041314-1](#) [2065387-1](#) [2187307-1](#) [163P](#) [1934290-1](#) [2000875-1](#) [2065917-1](#) [2102736-2](#) [FSR-40](#) [2169868-2](#) [22354-8](#) [437-5040-000](#) [5-](#)
[1393565-0](#) [039-0246-000](#) [0740618502](#) [0761601016](#) [0784461022](#) [10123159-12ELF](#) [030-2415-003/100 PK](#) [030-7380-004](#) [030-2494-001](#)
[532939-1](#) [5532901-3](#) [3-1469268-7](#) [74748-102LF](#) [73670-0247](#) [10041743-101LF](#) [10066670-100002LF](#) [1-533915-1](#) [249-4515-000](#) [7-1469373-](#)
[3](#) [DL2-2J/S](#) [2000713-8](#) [2000713-7](#) [10124313-101LF](#) [3011-21](#) [757105208](#) [EBTF-4-10-2.0-S-RA-1](#)