

PLEASE CHECK WWW.MOLEX.COM FOR LATEST PART INFORMATION

Part Number: [0736510333](#)
Status: **Active**
Overview: [HDM Backplane Connector System](#)
Description: HDM Board-to-Board Daughterboard Power Module, Right-Angle, SMC, 3-Blade Module, 3 Circuits

Documents:

[3D Model](#) [RoHS Certificate of Compliance \(PDF\)](#)
[Drawing \(PDF\)](#)

Agency Certification

CSA LR19980
 UL E29179

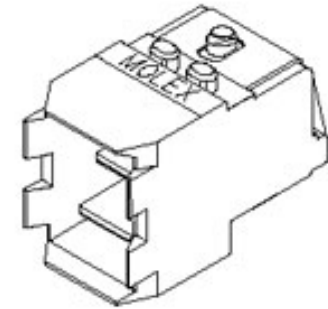
General

Product Family Backplane Connectors
 Series [73651](#)
 Application Daughtercard
 Component Type Power Receptacle
 Overview [HDM Backplane Connector System](#)
 Product Name HDM
 UPC 756054227350

Physical

Circuits (Loaded) 3
 Circuits (maximum) 3
 Color - Resin Black
 Durability (mating cycles max) 250
 First Mate / Last Break No
 Flammability 94V-0
 Guide to Mating Part No
 Keying to Mating Part None
 Material - Metal High Performance Alloy (HPA)
 Material - Plating Mating Gold
 Material - Plating Termination Tin
 Material - Resin High Temperature Thermoplastic
 Net Weight 3.795/g
 Number of Columns 1
 Number of Pairs Open Pin Field
 Number of Rows 3
 Orientation Right Angle
 PC Tail Length 2.00mm
 PCB Locator Yes
 PCB Retention None
 PCB Thickness - Recommended 1.60mm
 Packaging Type Tube
 Pitch - Mating Interface 4.00mm
 Pitch - Termination Interface 3.00mm
 Plating min - Mating 0.762µm
 Plating min - Termination 2.540µm
 Polarized to PCB No
 Stackable No
 Surface Mount Compatible (SMC) No
 Temperature Range - Operating -55° to +105°C
 Termination Interface: Style Through Hole

Electrical



Series image - Reference only

EU ELV

Not Reviewed

EU RoHS

Not Reviewed

REACH SVHC

Not Reviewed

Halogen-Free

Status

Not Reviewed

For more information, please visit [Contact US](#)

China ROHS

Not Reviewed

ELV

Not Reviewed

RoHS Phthalates

Not Reviewed

Search Parts in this Series

[73651](#) Series

Mates With

[73656](#) HDM Board-to-Board Backplane Power Module

Current - Maximum per Contact	15.0A
Data Rate	1.0 Gbps
Real Signals (per 25mm)	19
Shielded	No
Voltage - Maximum	500V

Material Info

Reference - Drawing Numbers

Sales Drawing	SDA-73651-XXXX
---------------	----------------

This document was generated on 09/13/2019

PLEASE CHECK WWW.MOLEX.COM FOR LATEST PART INFORMATION

X-ON Electronics

Largest Supplier of Electrical and Electronic Components

Click to view similar products for [High Speed/Modular Connectors](#) category:

Click to view products by [Molex](#) manufacturer:

Other Similar products are found below :

[650827-1](#) [74040-1346](#) [1410191-1](#) [1410337-1](#) [1410368-3](#) [1410964-2](#) [1410326-3](#) [1410367-3](#) [1410971-4](#) [1467833-1](#) [2000877-1](#) [2000878-1](#)
[2041314-1](#) [2065387-1](#) [2187307-1](#) [163P](#) [1934290-1](#) [2000875-1](#) [2065917-1](#) [2102736-2](#) [FSR-40](#) [2169868-2](#) [22354-8](#) [437-5040-000](#) [5-](#)
[1393565-0](#) [039-0246-000](#) [0761601016](#) [0784461022](#) [10123159-12ELF](#) [030-2415-003/100 PK](#) [030-7380-004](#) [030-2494-001](#) [532939-1](#)
[5532901-3](#) [3-1469268-7](#) [74748-102LF](#) [73670-0247](#) [10041743-101LF](#) [10066670-100002LF](#) [1-533915-1](#) [249-4515-000](#) [7-1469373-3](#) [DL2-](#)
[2J/S](#) [2000713-8](#) [2000713-7](#) [10124313-101LF](#) [3011-21](#) [757105208](#) [EBTF-4-10-2.0-S-RA-1](#) [430305-001](#)