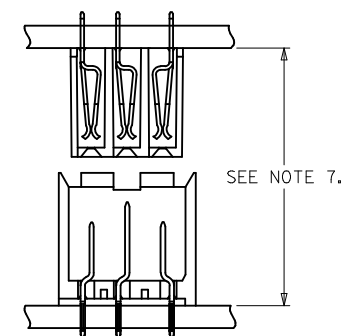
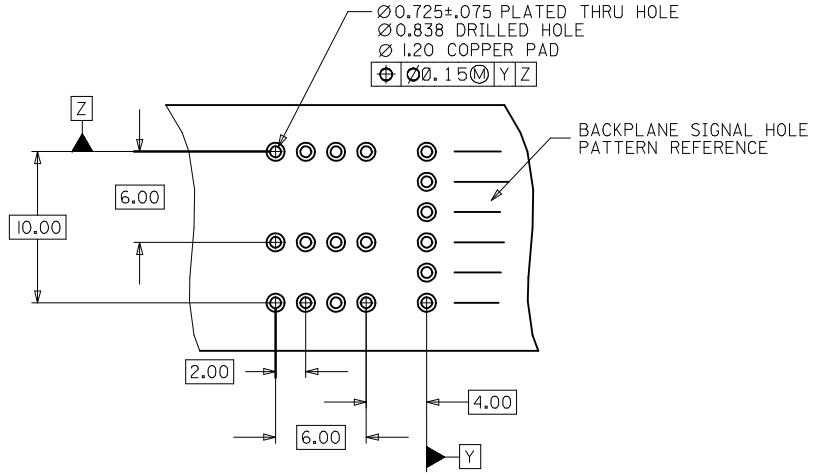
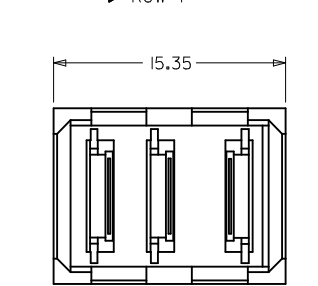


MOLEX ASSY PART NUMBER 73998-****	MATING LENGTH DESCRIPTION		
	ROW B	ROW D	ROW F
1*23	S	L	S
2023	S	L	S
2123	L	---	L

SEE NOTE 2.

CODE W/ ABOVE	OPTIONAL TAIL LENGTH SEE NOTE 3.
*3**	3.0 mm (SOLDER)
*4**	4.0 mm (SOLDER)
*5**	5.0 mm (SOLDER)
*6**	6.0 mm (SOLDER)



- NOTES:**
- MATING LENGTH IS (ALSO SEE TABLE):  
9.6 - SHORT (S)  
11.6 - LONG (L)
  - ASSEMBLIES ARE CODED AS FOLLOWS:  
-1\*\*\*, SOLDER TAIL (OBSOLETE)  
-2\*\*\*, PRESS FIT (3.5 mm TAIL ONLY)  
-\*X\*\*, TAIL LENGTH  
-\*\*XX, BLADE CONFIGURATION
  - TAIL LENGTH TOLERANCE IS ±0.25.
  - PART SHOWN IS 73998-2023.
  - MATERIALS: HOUSING - LIQUID CRYSTAL POLYMER (LCP), CLASS FILLED, UL94V-0, COLOR: BLACK  
TERMINAL - COPPER ALLOY
  - FINISH: SELECTIVE GOLD IN CONTACT AREA, 0.76 MICROMETERS MINIMUM THICKNESS; MATTE TIN IN TAIL AREA; NICKEL OVERALL.
  - MATES WITH 73656 AND 73659 SERIES, IN MATED CONDITION, SEPARATION OF PC BOARD SURFACES IS 15 mm.
  - THIS PART CONFORMS TO MOLEX PRODUCT SPECIFICATION PS-73670-9999.
  - THIS PART CONFORMS TO MOLEX COSMETIC SPECIFICATION PS-45499-002 CLASS B.

PCB LAYOUT: COMPONENT SIDE  
RECOMMENDED PCB THICKNESS: 2.50 MIN

<b>OBSOLETE SOLDER TAIL P/N'S</b> EC NO: UCP2014-3668 IDRW:RWHPPL 2014/03/06 CHKD:MMOLFE 2014/03/05 APPR:SMILLER 2014/03/13 (REV)	QUALITY SYMBOLS ∇=0 ∇=0 ∇=0	GENERAL TOLERANCES (UNLESS SPECIFIED) <table border="1"> <thead> <tr> <th></th> <th>mm</th> <th>INCH</th> </tr> </thead> <tbody> <tr> <td>4 PLACES</td> <td>± ---</td> <td>± ---</td> </tr> <tr> <td>3 PLACES</td> <td>± ---</td> <td>± ---</td> </tr> <tr> <td>2 PLACES</td> <td>± 0.13</td> <td>± ---</td> </tr> <tr> <td>1 PLACE</td> <td>± 0.25</td> <td>± ---</td> </tr> <tr> <td>0 PLACE</td> <td>± ---</td> <td>± ---</td> </tr> </tbody> </table>		mm	INCH	4 PLACES	± ---	± ---	3 PLACES	± ---	± ---	2 PLACES	± 0.13	± ---	1 PLACE	± 0.25	± ---	0 PLACE	± ---	± ---	DIMENSION STYLE <b>MM ONLY</b> DRAWN BY DATE ELO 1998/07/30 CHECKED BY DATE ELO 1998/08/03 APPROVED BY DATE BIXLER 1998/08/05	SCALE <b>METRIC</b>	DESIGN UNITS <b>METRIC</b>	THIRD ANGLE PROJECTION	TITLE <b>HDM DAUGHTERCARD POWER VERTICAL (STACKER) SALES ASSEMBLY</b>
		mm	INCH																						
	4 PLACES	± ---	± ---																						
	3 PLACES	± ---	± ---																						
	2 PLACES	± 0.13	± ---																						
1 PLACE	± 0.25	± ---																							
0 PLACE	± ---	± ---																							
ANGULAR ±1/2°		DRAFT WHERE APPLICABLE MUST REMAIN WITHIN DIMENSIONS	MATERIAL NO. <b>SEE CHART</b>	DOCUMENT NO. <b>SD-73998-001</b>	SHEET NO. <b>1 OF 1</b>																				
THIS DRAWING CONTAINS INFORMATION THAT IS PROPRIETARY TO MOLEX INCORPORATED AND SHOULD NOT BE USED WITHOUT WRITTEN PERMISSION																									

## X-ON Electronics

Largest Supplier of Electrical and Electronic Components

*Click to view similar products for [High Speed/Modular Connectors](#) category:*

*Click to view products by [Molex](#) manufacturer:*

Other Similar products are found below :

[650827-1](#) [74040-1346](#) [1410191-1](#) [1410337-1](#) [1410368-3](#) [1410964-2](#) [1410326-3](#) [1410367-3](#) [1410971-4](#) [1467833-1](#) [2000877-1](#) [2000878-1](#)  
[2041314-1](#) [2065387-1](#) [2187307-1](#) [163P](#) [1934290-1](#) [2000875-1](#) [2065917-1](#) [2102736-2](#) [FSR-40](#) [2169868-2](#) [22354-8](#) [437-5040-000](#) [5-](#)  
[1393565-0](#) [039-0246-000](#) [0740618502](#) [0761601016](#) [0784461022](#) [10123159-12ELF](#) [030-2415-003/100 PK](#) [030-7380-004](#) [030-2494-001](#)  
[532939-1](#) [5532901-3](#) [3-1469268-7](#) [74748-102LF](#) [73670-0247](#) [10041743-101LF](#) [10066670-100002LF](#) [1-533915-1](#) [249-4515-000](#) [7-1469373-](#)  
[3](#) [DL2-2J/S](#) [2000713-8](#) [2000713-7](#) [10124313-101LF](#) [3011-21](#) [757105208](#) [EBTF-4-10-2.0-S-RA-1](#)