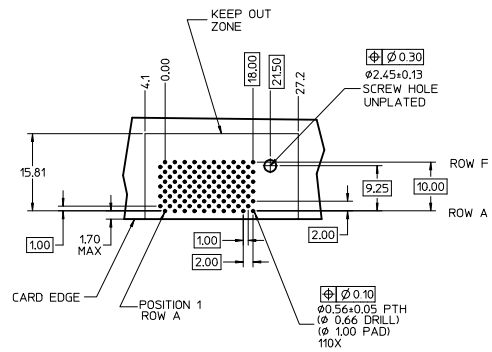
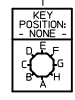
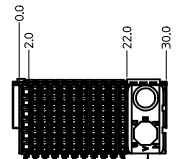
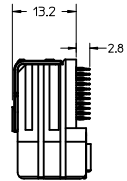
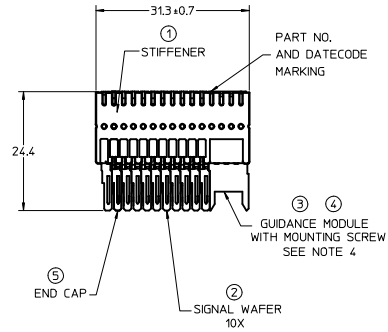


CUSTOMER: CREDEENCE



DAUGHTERCARD HOLE PATTERN  
(CONNECTOR SIDE)

NOTES:

1. MATERIALS: HOUSING : LIQUID CRYSTAL POLYMER (LCP) GLASS-FILLED, UL94V-0, BLACK.  
TERMINALS: COPPER ALLOY  
STIFFENER: STAINLESS STEEL
2. FINISH: SELECTIVE GOLD (Au) 0.76 micrometer MINIMUM IN CONTACT AREA, SELECTIVE MATTE TIN (Sn) IN TAIL AREA, NICKEL (Ni) UNDERPLATE OVERALL.
3. REFER TO MOLEX PRODUCT SPECIFICATION PS-74031-999 FOR PERFORMANCE SPECIFICATIONS.
4. PACKAGED PER PK-70873-5040  
SCREWS PACKED IN BAGS INSIDE OF TUBES.
5. REFER TO MOLEX DOCUMENT SD-74031-002 FOR ADDITIONAL DETAIL ON THE SIGNAL WAFER.
6. REFER TO MOLEX DOCUMENT SD-74037-005 FOR ADDITIONAL DETAIL ON THE GUIDANCE MODULE.
7. REFER TO MOLEX DOCUMENT SD-74038-003 FOR ADDITIONAL DETAIL ON THE END CAP.
8. MARK LABEL WITH PART NUMBER AND DATE CODE.  
LABEL MAY BE REPLACED BY LASER MARKINGS ON THE STIFFENER.
9. THIS PART CONFORMS TO CLASS B REQUIREMENTS OF MOLEX COSMETIC SPECIFICATION PS-45499-002.

LEAD-FREE  
PLATING

ITEM	PART NUMBER	DESCRIPTION	QTY
1	74036-0031	STIFFENER	1
2	74031-1001	SIGNAL WAFER, LF	10
3	74037-0006	POLARIZING/GUIDE MODULE	1
4	73726-0000	GUIDE MODULE MNTG SCREW	1
5	74038-0001	END CAP	1

<b>CHG TO LEAD-FREE</b> EC NO: UCP2012-1775 DRWNGES: 2011/11/15 CHKD: DANIELLE APPR: SMILLER 2011/12/19	QUALITY SYMBOLS	GENERAL TOLERANCES (UNLESS SPECIFIED)	DIMENSION STYLE	SCALE	DESIGN UNITS	THIRD ANGLE PROJECTION	
	$\nabla=0$ $\nabla=0$ $\nabla=0$	mm INCH 4 PLACES ± --- ± --- 3 PLACES ± --- ± --- 2 PLACES ± 0.25 ± --- 1 PLACE ± 0.38 ± --- ANGULAR ± 1/2°	MM ONLY	2:1	METRIC		
		DRAFT WHERE APPLICABLE MUST REMAIN WITHIN DIMENSIONS					
			MATERIAL NO.	DOCUMENT NO.	TITLE <b>VHDM 6 ROW, LF DAUGHTERCARD SALES DRAWING</b>		
			74030-0922	SD-74030-922	MOLEX INCORPORATED MOLEX INCORPORATED		
			SIZE D		SHEET NO. 1 OF 1		
			THIS DRAWING CONTAINS INFORMATION THAT IS PROPRIETARY TO MOLEX INCORPORATED AND SHOULD NOT BE USED WITHOUT WRITTEN PERMISSION				

## X-ON Electronics

Largest Supplier of Electrical and Electronic Components

*Click to view similar products for [High Speed/Modular Connectors](#) category:*

*Click to view products by [Molex](#) manufacturer:*

Other Similar products are found below :

[02095000002](#) [02095000004](#) [02095001004](#) [02095001005](#) [02095001006](#) [02095001007](#) [02095001008](#) [02095001009](#) [02095001010](#)  
[02095001011](#) [02095001012](#) [02095001013](#) [02095001014](#) [02095001015](#) [02095001016](#) [02095001017](#) [02095001018](#) [02095001019](#)  
[02095001020](#) [02095001021](#) [02095001022](#) [02095001023](#) [02095001024](#) [02095001025](#) [02095001026](#) [02095001027](#) [02095001028](#)  
[02095001029](#) [02095001030](#) [02095001031](#) [02095001032](#) [02095001033](#) [02095001034](#) [02519000001](#) [02519000002](#) [02519000003](#)  
[02519000004](#) [02519010401](#) [02519031301](#) [02519041201](#) [02519041202](#) [02519091101](#) [02519091102](#) [02519091103](#) [02529000001](#)  
[02529000002](#) [02529000003](#) [02529000004](#) [02529010401](#) [02529010451](#)