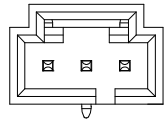
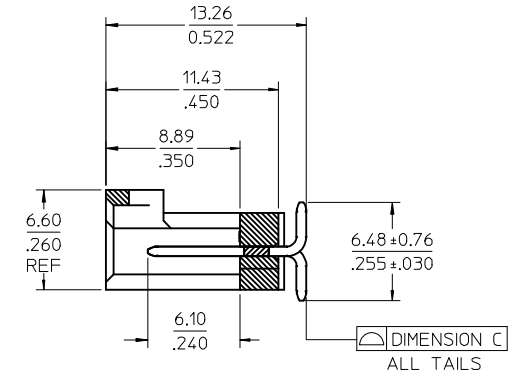
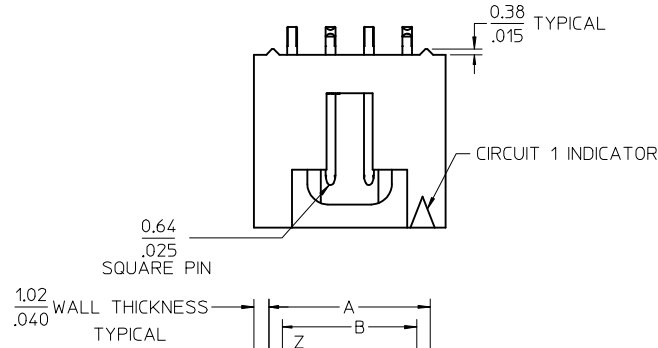


| CKT SIZE | DIMENSION A | | DIMENSION B | | DIMENSION C | |
|----------|-------------|-------|-------------|-------|-------------|------|
| | MM | IN | MM | IN | MM | IN |
| 3 | 8.13 | .320 | 5.08 | .200 | 0.15 | .006 |
| 4 | 10.67 | .420 | 7.62 | .300 | 0.15 | .006 |
| 5 | 13.21 | .520 | 10.16 | .400 | 0.15 | .006 |
| 6 | 15.75 | .620 | 12.70 | .500 | 0.15 | .006 |
| 7 | 18.29 | .720 | 15.24 | .600 | 0.15 | .006 |
| 8 | 20.83 | .820 | 17.78 | .700 | 0.15 | .006 |
| 9 | 23.37 | .920 | 20.32 | .800 | 0.15 | .006 |
| 10 | 25.91 | 1.020 | 22.86 | .900 | 0.15 | .006 |
| 11 | 28.45 | 1.120 | 25.40 | 1.000 | 0.15 | .006 |
| 12 | 30.99 | 1.220 | 27.94 | 1.100 | 0.15 | .006 |
| 22 | 56.39 | 2.220 | 53.34 | 2.099 | 0.18 | .007 |

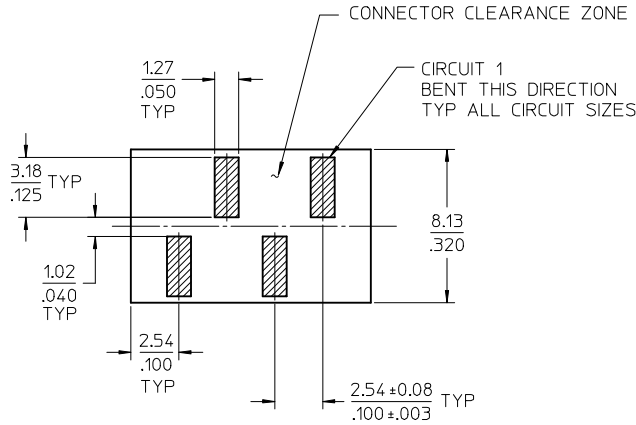


3 CIRCUIT

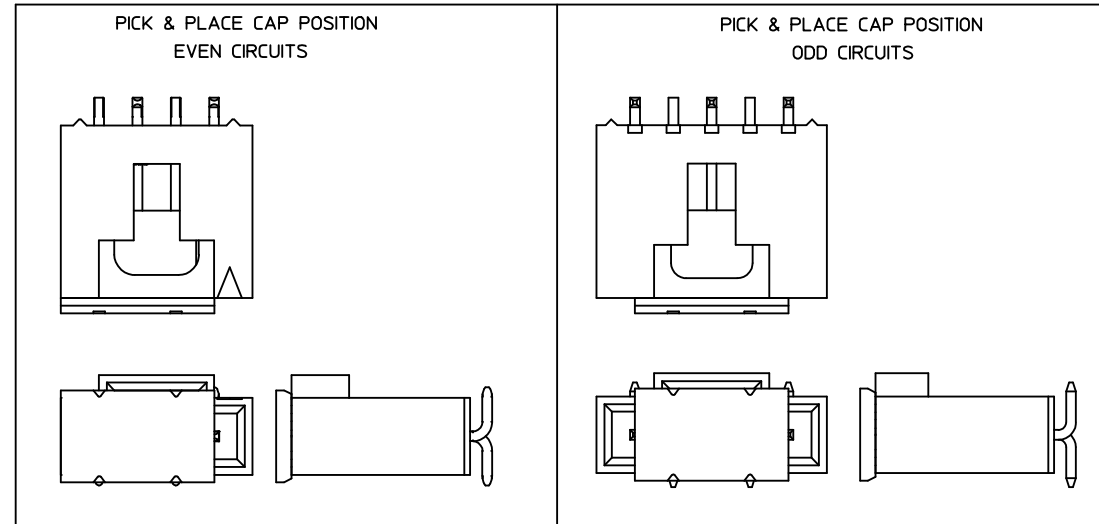


SECTION Z-Z

4 CIRCUIT SHOWN



PCB LAYOUT: COMPONENT SIDE
RECOMMENDED PCB THICKNESS: NA

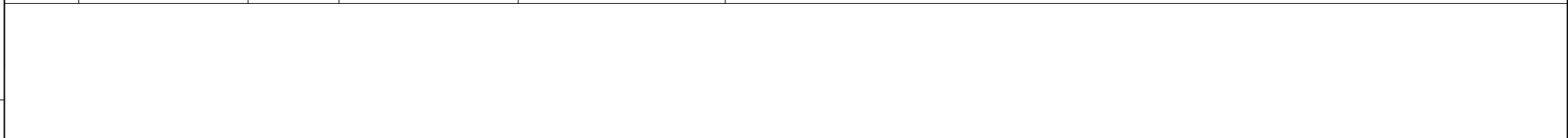


NOTES:

- MATERIAL:**
HOUSING: POLYESTER (PCT), GLASS FILLED, UL94V-0; COLOR: BLACK
PINS: PHOSPHOR BRONZE
PICK & PLACE CAP: LIQUID CRYSTAL POLYMER (LCP), GLASS FILLED, UL94V-0, COLOR: BLACK
- FINISH:**
TIN - 3.81 MICROMETERS/150 MICROINCHES MINIMUM TIN PLATE OVER NICKEL UNDERPLATE OVERALL.
15 GOLD - 0.38 MICROMETERS/15 MICROINCHES MINIMUM GOLD PLATE IN SELECT AREA, 1.91 MICROMETERS/75 MICROINCHES MINIMUM TIN PLATE IN SELECT AREA, OVER NICKEL UNDERPLATE OVERALL.
30 GOLD - 0.76 MICROMETERS/30 MICROINCHES MINIMUM GOLD PLATE IN SELECT AREA, 1.91 MICROMETERS/75 MICROINCHES MINIMUM TIN PLATE IN SELECT AREA, OVER NICKEL UNDERPLATE OVERALL.
- PRODUCT SPECIFICATION:** PS-70541
- PACKAGING SPECIFICATION:** PK-70873-9000
- MATES WITH:** OPTION 'G' 70400 AND 70430 SERIES SL CONNECTORS
OPTION 'G' 70066 SL HOUSINGS WITH 70058/71851 CRIMP TERMINALS.
- THIS PRODUCT CONFORMS TO COSMETIC SPECIFICATION PS-45499-002 CLASS C.**

| | | | | | | |
|---|-----------------|--|--------------------|---|--------------|------------------------|
| ADD KEEP OUT ZONE EC NO: UCP2017-1464 DRWN:KSM/IEC 2017/01/04 CHKD: APPR:FSM/ITH 2017/01/04 | QUALITY SYMBOLS | GENERAL TOLERANCES (UNLESS SPECIFIED) | DIMENSION STYLE | SCALE | DESIGN UNITS | THIRD ANGLE PROJECTION |
| | ▽=0 | mm INCH | MM/IN | 5:1 | INCH | |
| | ▽=0 | 4 PLACES ± --- ± --- | DRAWN BY DATE | TITLE | | |
| | ▽=0 | 3 PLACES ± 0.25 ± .010 | TIBARRA 2013/07/11 | SALES ASSY, SL VERTICAL HEADER, SMT W/LATCH WITH PICK-N-PLACE CAP | | |
| | | 2 PLACES ± --- ± --- | CHECKED BY DATE | | | |
| | | 1 PLACE ± --- ± --- | DMORGAN 2013/07/11 | | | |
| | | 0 PLACE ± --- ± --- | APPROVED BY DATE | | | |
| | | | SMILLER 2013/08/12 | | | |
| | | ANGULAR ±1/2° | MATERIAL NO. | DOCUMENT NO. | | |
| | | DRAFT WHERE APPLICABLE MUST REMAIN WITHIN DIMENSIONS | SEE TABLE | SD-74099-1000 | | |
| | | | SIZE C | THIS DRAWING CONTAINS INFORMATION THAT IS PROPRIETARY TO MOLEX INCORPORATED AND SHOULD NOT BE USED WITHOUT WRITTEN PERMISSION | | |
| E2 | REV | | | | | SHEET NO. 1 OF 2 |

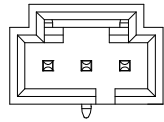
| | | | | | | | | | | | | | |
|---|--------------|--------------------------------|--------------------|----------------------------|------------------------------|---|---|---|---|---|---|---|---|
| | 13 | 12 | 11 | 10 | 9 | 8 | 7 | 6 | 5 | 4 | 3 | 2 | 1 |
| J | CIRCUIT SIZE | ASSEMBLY ITEM NUMBER 74099- | PLATING SEE NOTE 2 | MATING END PLATING TYPE | PC BOARD END PLATING TYPE | | | | | | | | |
| | 3-12, 22 | -0603 THRU-0612, -0622 | TIN | TIN | TIN | | | | | | | | |
| I | 3-12, 22 | -0623 THRU-0632, -0642 | 15 GOLD | GOLD | TIN | | | | | | | | |
| | 3-12, 22 | -0643 THRU-0652, -0662 | 30 GOLD | GOLD | TIN | | | | | | | | |



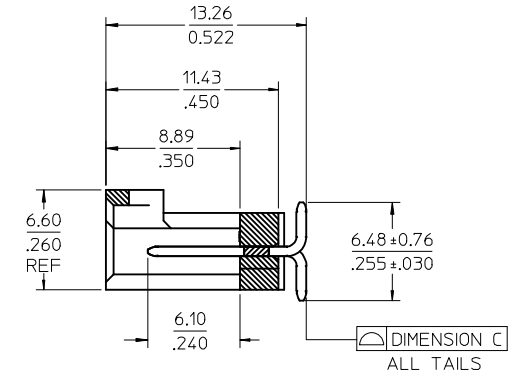
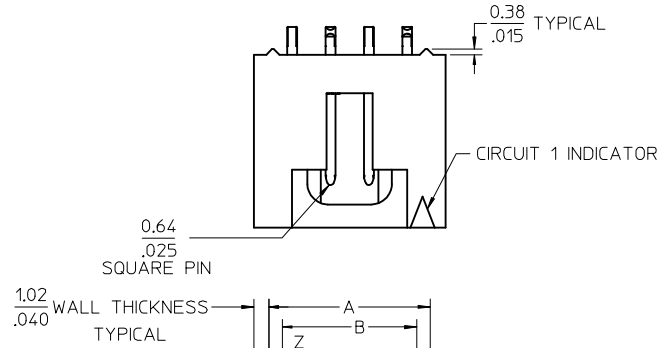
| CIRCUIT SIZE | ASSEMBLY ITEM NUMBER | ASSEMBLY ITEM NUMBER | ASSEMBLY ITEM NUMBER | ASSEMBLY ITEM NUMBER | ASSEMBLY ITEM NUMBER |
|--------------|----------------------|----------------------|----------------------|----------------------|----------------------|
| 3 | 74099-0603 | 74099-0623 | 74099-0643 | | |
| 4 | 74099-0604 | 74099-0624 | 74099-0644 | | |
| 5 | 74099-0605 | 74099-0625 | 74099-0645 | | |
| 6 | 74099-0606 | 74099-0626 | 74099-0646 | | |
| 7 | 74099-0607 | 74099-0627 | 74099-0647 | | |
| 8 | 74099-0608 | 74099-0628 | 74099-0648 | | |
| 9 | 74099-0609 | 74099-0629 | 74099-0649 | | |
| 10 | 74099-0610 | 74099-0630 | 74099-0650 | | |
| 11 | 74099-0611 | 74099-0631 | 74099-0651 | | |
| 12 | 74099-0612 | 74099-0632 | 74099-0652 | | |
| 22 | 74099-0622 | 74099-0642 | 74099-0662 | | |

| | | | | | | | | |
|---|-----------------|---------------------------------------|--------------------------|---|--------------------|--|------------------------|--|
| SEE SHEET 1 EC NO: UCP2017-1464 DRWNG:SMIEC 2017/01/04 CHKD: APPR:FSM/ITH 2017/01/04 REVISIONS E2 | QUALITY SYMBOLS | GENERAL TOLERANCES (UNLESS SPECIFIED) | DIMENSION STYLE MM/IN | | SCALE 4:1 | DESIGN UNITS INCH | THIRD ANGLE PROJECTION | |
| | ▽=0 | ▽=0 | ▽=0 | DRAWN BY TIBARRA | DATE 2013/07/11 | TITLE SALES ASSY, SL VERTICAL HEADER, SMT W/LATCH WITH PICK-N-PLACE CAP molex DOCUMENT NO. SD-74099-1000 SHEET NO. 2 OF 2 | | |
| | ▽=0 | ▽=0 | ▽=0 | CHECKED BY DMORGAN | DATE 2013/07/11 | | | |
| | ▽=0 | ▽=0 | ▽=0 | APPROVED BY SMILLER | DATE 2013/08/12 | | | |
| ANGULAR ±1/2° | | MATERIAL NO. | | SEE TABLE | | | | |
| DRAFT WHERE APPLICABLE MUST REMAIN WITHIN DIMENSIONS | | | SIZE C | THIS DRAWING CONTAINS INFORMATION THAT IS PROPRIETARY TO MOLEX INCORPORATED AND SHOULD NOT BE USED WITHOUT WRITTEN PERMISSION | | | | |

| CKT SIZE | DIMENSION A | | DIMENSION B | | DIMENSION C | |
|----------|-------------|-------|-------------|-------|-------------|------|
| | MM | IN | MM | IN | MM | IN |
| 3 | 8.13 | .320 | 5.08 | .200 | 0.15 | .006 |
| 4 | 10.67 | .420 | 7.62 | .300 | 0.15 | .006 |
| 5 | 13.21 | .520 | 10.16 | .400 | 0.15 | .006 |
| 6 | 15.75 | .620 | 12.70 | .500 | 0.15 | .006 |
| 7 | 18.29 | .720 | 15.24 | .600 | 0.15 | .006 |
| 8 | 20.83 | .820 | 17.78 | .700 | 0.15 | .006 |
| 9 | 23.37 | .920 | 20.32 | .800 | 0.15 | .006 |
| 10 | 25.91 | 1.020 | 22.86 | .900 | 0.15 | .006 |
| 11 | 28.45 | 1.120 | 25.40 | 1.000 | 0.15 | .006 |
| 12 | 30.99 | 1.220 | 27.94 | 1.100 | 0.15 | .006 |
| 22 | 56.39 | 2.220 | 53.34 | 2.099 | 0.18 | .007 |

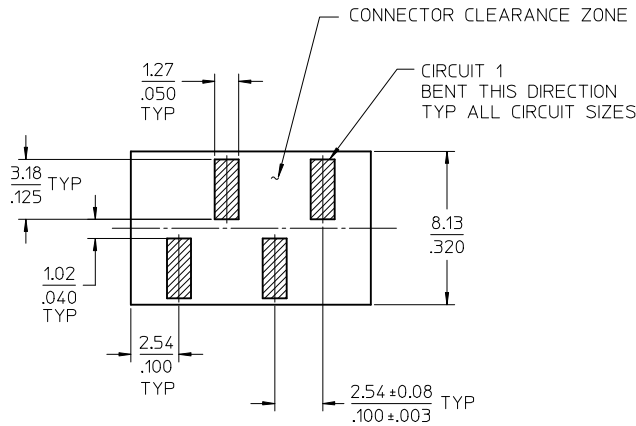


3 CIRCUIT

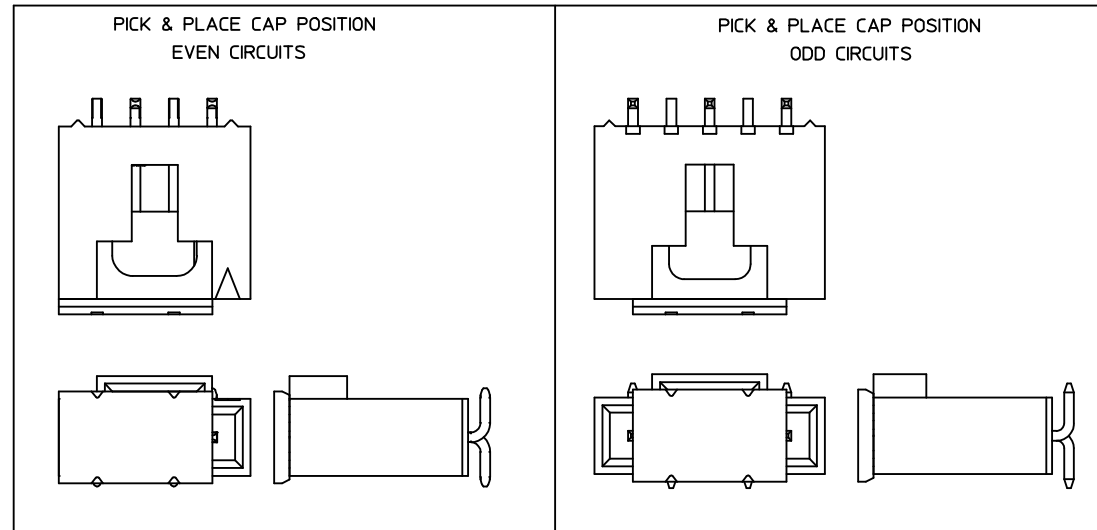


SECTION Z-Z

4 CIRCUIT SHOWN



PCB LAYOUT: COMPONENT SIDE
RECOMMENDED PCB THICKNESS: NA

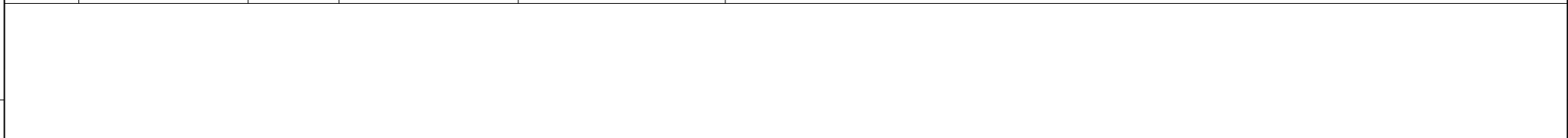


NOTES:

- MATERIAL:**
HOUSING: POLYESTER (PCT), GLASS FILLED, UL94V-0; COLOR: BLACK
PINS: PHOSPHOR BRONZE
PICK & PLACE CAP: LIQUID CRYSTAL POLYMER (LCP), GLASS FILLED, UL94V-0, COLOR: BLACK
- FINISH:**
TIN - 3.81 MICROMETERS/150 MICROINCHES MINIMUM TIN PLATE OVER NICKEL UNDERPLATE OVERALL.
15 GOLD - 0.38 MICROMETERS/15 MICROINCHES MINIMUM GOLD PLATE IN SELECT AREA, 1.91 MICROMETERS/75 MICROINCHES MINIMUM TIN PLATE IN SELECT AREA, OVER NICKEL UNDERPLATE OVERALL.
30 GOLD - 0.76 MICROMETERS/30 MICROINCHES MINIMUM GOLD PLATE IN SELECT AREA, 1.91 MICROMETERS/75 MICROINCHES MINIMUM TIN PLATE IN SELECT AREA, OVER NICKEL UNDERPLATE OVERALL.
- PRODUCT SPECIFICATION:** PS-70541
- PACKAGING SPECIFICATION:** PK-70873-9000
- MATES WITH:** OPTION 'G' 70400 AND 70430 SERIES SL CONNECTORS
OPTION 'G' 70066 SL HOUSINGS WITH 70058/71851 CRIMP TERMINALS.
- THIS PRODUCT CONFORMS TO COSMETIC SPECIFICATION PS-45499-002 CLASS C.**

| | | | | | | | | | |
|---|--------------------------------------|--|-------------|----------------------|-------------|---|--------------|------------------------|---|
| ADD KEEP OUT ZONE EC NO: UCP2017-1464 DRWN:KSM/IEC 2017/01/04 CHKD: APPR:FSM/ITH 2017/01/04 | QUALITY SYMBOLS ▽=0 ▽=0 ▽=0 | GENERAL TOLERANCES (UNLESS SPECIFIED) | | DIMENSION STYLE | | SCALE | DESIGN UNITS | THIRD ANGLE PROJECTION | |
| | | | | MM/IN | | 5:1 | INCH | | |
| | | | | mm | INCH | DRAWN BY | DATE | | TITLE |
| | | | | 4 PLACES ± --- ± --- | ± --- ± --- | TIBARRA | 2013/07/11 | | SALES ASSY, SL VERTICAL HEADER, SMT W/LATCH WITH PICK-N-PLACE CAP |
| | | 3 PLACES ± 0.25 ± 0.10 | ± --- ± --- | CHECKED BY | DATE | molex | | | |
| | | 2 PLACES ± --- ± --- | ± --- ± --- | DMORGAN | 2013/07/11 | | | | |
| | | 1 PLACE ± --- ± --- | ± --- ± --- | APPROVED BY | DATE | DOCUMENT NO. | SHEET NO. | | |
| | | 0 PLACE ± --- ± --- | ± --- ± --- | SMILLER | 2013/08/12 | SD-74099-1000 | 1 OF 2 | | |
| | | ANGULAR ±1/2° | | MATERIAL NO. | | | | | |
| | | DRAFT WHERE APPLICABLE MUST REMAIN WITHIN DIMENSIONS | | SEE TABLE | | | | | |
| | | | | SIZE | | THIS DRAWING CONTAINS INFORMATION THAT IS PROPRIETARY TO MOLEX INCORPORATED AND SHOULD NOT BE USED WITHOUT WRITTEN PERMISSION | | | |
| E2 | | REV | | | | | | | |

| | | | | | | | | | | | | | |
|---|--------------|--------------------------------|--------------------|----------------------------|------------------------------|---|---|---|---|---|---|---|---|
| | 13 | 12 | 11 | 10 | 9 | 8 | 7 | 6 | 5 | 4 | 3 | 2 | 1 |
| J | CIRCUIT SIZE | ASSEMBLY ITEM NUMBER 74099- | PLATING SEE NOTE 2 | MATING END PLATING TYPE | PC BOARD END PLATING TYPE | | | | | | | | |
| | 3-12, 22 | -0603 THRU-0612, -0622 | TIN | TIN | TIN | | | | | | | | |
| I | 3-12, 22 | -0623 THRU-0632, -0642 | 15 GOLD | GOLD | TIN | | | | | | | | |
| | 3-12, 22 | -0643 THRU-0652, -0662 | 30 GOLD | GOLD | TIN | | | | | | | | |



| CIRCUIT SIZE | ASSEMBLY ITEM NUMBER | ASSEMBLY ITEM NUMBER | ASSEMBLY ITEM NUMBER | ASSEMBLY ITEM NUMBER | ASSEMBLY ITEM NUMBER |
|--------------|----------------------|----------------------|----------------------|----------------------|----------------------|
| 3 | 74099-0603 | 74099-0623 | 74099-0643 | | |
| 4 | 74099-0604 | 74099-0624 | 74099-0644 | | |
| 5 | 74099-0605 | 74099-0625 | 74099-0645 | | |
| 6 | 74099-0606 | 74099-0626 | 74099-0646 | | |
| 7 | 74099-0607 | 74099-0627 | 74099-0647 | | |
| 8 | 74099-0608 | 74099-0628 | 74099-0648 | | |
| 9 | 74099-0609 | 74099-0629 | 74099-0649 | | |
| 10 | 74099-0610 | 74099-0630 | 74099-0650 | | |
| 11 | 74099-0611 | 74099-0631 | 74099-0651 | | |
| 12 | 74099-0612 | 74099-0632 | 74099-0652 | | |
| 22 | 74099-0622 | 74099-0642 | 74099-0662 | | |

| | | | | | | | | |
|---|-----------------|---------------------------------------|--------------------------|---|--------------------|--|------------------------|--|
| SEE SHEET 1 EC NO: UCP2017-1464 DRWNG:SMIEC 2017/01/04 CHKD: APPR:FSM/ITH 2017/01/04 REVISIONS E2 | QUALITY SYMBOLS | GENERAL TOLERANCES (UNLESS SPECIFIED) | DIMENSION STYLE MM/IN | | SCALE 4:1 | DESIGN UNITS INCH | THIRD ANGLE PROJECTION | |
| | ▽=0 | ▽=0 | ▽=0 | DRAWN BY TIBARRA | DATE 2013/07/11 | TITLE SALES ASSY, SL VERTICAL HEADER, SMT W/LATCH WITH PICK-N-PLACE CAP molex DOCUMENT NO. SD-74099-1000 SHEET NO. 2 OF 2 | | |
| | ▽=0 | ▽=0 | ▽=0 | CHECKED BY DMORGAN | DATE 2013/07/11 | | | |
| | ▽=0 | ▽=0 | ▽=0 | APPROVED BY SMILLER | DATE 2013/08/12 | | | |
| ANGULAR ±1/2° | | MATERIAL NO. | | | | | | |
| DRAFT WHERE APPLICABLE MUST REMAIN WITHIN DIMENSIONS | | | SIZE C | THIS DRAWING CONTAINS INFORMATION THAT IS PROPRIETARY TO MOLEX INCORPORATED AND SHOULD NOT BE USED WITHOUT WRITTEN PERMISSION | | | | |

X-ON Electronics

Largest Supplier of Electrical and Electronic Components

Click to view similar products for [Headers & Wire Housings](#) category:

Click to view products by [Molex](#) manufacturer:

Other Similar products are found below :

[892-18-020-10-001101](#) [58102-G61-06LF](#) [582553-1](#) [0009485154](#) [009176003701906](#) [0050291907](#) [LY20-4P-DT1-P1E-BR](#) [02.125.8002.8](#)
[609-3404](#) [61062-3](#) [622-0430](#) [622-3653LF](#) [63453-116](#) [636-1030](#) [636-1427](#) [636-3427](#) [636-4007](#) [641938-9](#) [641991-4](#) [644827-2](#) [65817-010LF](#)
[65817-015LF](#) [65863-015LF](#) [66207-023LF](#) [67095-007LF](#) [67601157](#) [68648-049](#) [70.362.1628.0](#) [70-4210](#) [70-4226B](#) [70-4853B](#) [707-5020](#) [707-5028](#) [71.350.2428.0](#) [71918-208LF](#) [71961-016LF](#) [733-134](#) [733-162](#) [754199-000](#) [760-3052](#) [787-8014-00](#) [79531-3000](#) [FCN-360C032-B](#) [FCN-367T-T012/H](#) [FCN-723D010/2](#) [80.063.4001.1](#) [800-90-001-10-001000](#) [800-90-010-10-002000](#) [801-43-002-10-013000](#) [801-43-006-10-002000](#)